

IntelliFlo® VS

Variable Speed Programmable Pump



IntelliFlo® WhisperFlo® VS



IntelliFlo® UltraFlow® VS



IntelliFlo® SW5P6R™ VS



Customer Support

HERENTALS, BELGIUM (8:30 A.M. to 4:30 P.M.) CET

Phone: + 32 (0) 14 25 99 11

Website: www.pentairpooleurope.com

Declaration of Conformity

We declare, under our sole responsibility, that the product identified in this declaration, and to which this declaration relates, are in conformity with the protection requirements of Council Directive 98/37/EEG



- Standard EN60335-1, EN50178, EN61800-5-1
- Standard EN61800-3, EN61000-6-2, EN61000-6-4

Manufacturer: Pentair Water Belgium bvba
Industriepark Wolfstee
Toekomstlaan 30
B-2200 Herentals - Belgium
+32 (0) 14.25.99.11
www.pentairpooleurope.com

IMPORTANT SAFETY INSTRUCTIONS READ AND FOLLOW ALL INSTRUCTIONS SAVE THESE INSTRUCTIONS

© 2011 Pentair International LLC, All rights reserved

This document is subject to change without notice

Trademarks and disclaimers: IntelliFlo® and Pentair Pool Products™ are trademarks and/or registered trademarks of Pentair and/or its affiliated companies. Unless noted, names and brands of others that may be used in this document are not used to indicate an affiliation or endorsement between the proprietors of these names and brands and Pentair. Those names and brands may be the trademarks or registered trademarks of those parties or others.

Contents

Important Safety Precautions	4
Section 1: IntelliFlo® Overview	7
IntelliFlo® VS Variable Speed Pump	7
Features	8
IntelliFlo® VS Motor Assembly	8
IntelliFlo® VS Drive Assembly and Control Panel	8
IntelliFlo® VS Operator Control Panel	9
Controls and LEDs	9
Section 2: Operating IntelliFlo® VS	10
Setting the pump preset speed	10
Adjusting the pump speed	10
Starting the pump	11
Stopping the pump	11
Resetting the pump to factory defaults	11
Priming the pump for the first time or after service	12
Priming the Pump	13
Section 3: User Maintenance	14
Pump Strainer Basket	14
Pump Strainer Basket Service	14
Motor Service	15
Winterizing	16
Priming the pump after service	16
Section 4: Installation and Removal	17
IntelliFlo® VS Kit Contents	17
Installing IntelliFlo® VS	17
Location	17
Piping	17
Check Valve	17
Wiring the IntelliFlo® VS	18
IntelliFlo® VS Electrical Specifications	19
Pump Disassembly	19
Pump Reassembly/Seal Replacement	20
Shaft Seal Replacement	20
Drive Assembly Removal and Installation	21
Section 5: Troubleshooting	24
Warning and Alarm conditions	24
Alarm and warning LED sequence	24
General IntelliFlo® VS Troubleshooting Problems	25
IntelliFlo® Pump Dimensions	140
IntelliFlo® Flow and Power vs Flow Pump Curve	141

IMPORTANT SAFETY PRECAUTIONS



Important Notice:

Attention Installer: This manual contains important information about the installation, operation and safe use of this product. This information should be given to the owner and/or operator of this equipment.



WARNING — Before installing this product, read and follow all warning notices and instructions which are included. Failure to follow safety warnings and instructions can result in severe injury, death, or property damage.



WARNING — Entrapment Avoidance Notice:



The suction outlet connected to a swimming pool or spa pump can pull a high vacuum if it is blocked. Therefore, if only one suction outlet smaller than 46 cm x 58 cm is used, anyone blocking the suction outlet with their body can be trapped and held against the suction outlet. Disembowelment or drowning can result. Therefore, if small suction outlets are used with this pump, to prevent this entrapment and possible death, install at least two suction outlets in the body of water. Separate these suction outlets as described in the International Residential Code (IRC), the International Business Code (IBC), the Consumer Products Safety Council (CPSC) Guidelines for Entrapment Hazards: Making Pools and Spas Safer or ANSI/IAF-7 Standard for Suction Entrapment Avoidance in Swimming Pools, Wading Pools, Spas, Hot Tubs and Catch Basins. If suction outlets are not used, additional entrapment avoidance measures as described in the CPSC Guidelines or ANSI/IAF-7 should be employed.

The covers used on suction outlets should be approved and listed as conforming to the currently published edition of ANSI/ASME A112.19.8 Standard covering Suction Fittings for Use in Swimming Pools, Wading Pools, Spas and Hot Tubs. These covers should be inspected regularly and replaced if cracked, broken or older than the design lifetime indicated on them by the manufacturer. The maximum possible flow rate of this pump should be less than or equal to the maximum approved flow rate indicated on the suction outlet cover by the manufacturer. **THE USE OF UNAPPROVED COVERS OR ALLOWING USE OF THE POOL OR SPA WHEN COVERS ARE CRACKED OR BROKEN CAN RESULT IN HAIR ENTANGLEMENT WHICH CAN RESULT IN DEATH.**














WARNING — Risk of electrical shock or electrocution.



This pool pump must be installed by a licensed or certified electrician or a qualified pool serviceman in accordance with all applicable local codes and ordinances. Improper installation will create an electrical hazard which could result in death or serious injury to pool users, installers, or others due to electrical shock, and may also cause damage to property.

Always disconnect power to the pool pump at the circuit breaker before servicing the pump. Failure to do so could result in death or serious injury to serviceman, pool users or others due to electric shock.

IMPORTANT SAFETY PRECAUTIONS (continued)

-  **WARNING** — Water temperature in excess of 100° Fahrenheit may be hazardous to your health. Prolonged immersion in hot water may induce hyperthermia. Hyperthermia occurs when the internal temperature of the body reaches a level several degrees above normal body temperature of 98.6° F. (37° C.). The symptoms of hyperthermia include: drowsiness, lethargy, dizziness, fainting, and an increase in the internal temperature of the body.
- The effects of hyperthermia include: 1) Unawareness of impending danger. 2) Failure to perceive heat. 3) Failure to recognize the need to leave the spa. 4) Physical inability to exit the spa. 5) Fetal damage in pregnant women. 6) Unconsciousness resulting in danger of drowning.
-  **WARNING** — **The use of alcohol, drugs, or medication can greatly increase the risk of fatal hyperthermia in hot tubs and spas.**
-  **WARNING** — To reduce the risk of injury, do not permit children to use this product unless they are closely supervised at all times.
-  **WARNING** — For units intended for use in other than single-family dwellings, a clearly labeled emergency switch shall be provided as part of the installation. The switch shall be readily accessible to the occupants and shall be installed at least 5 feet (1.52 m) away, adjacent to, and within sight of the unit.
-  **WARNING** — When setting up pool water turnovers or flow rates the operator must consider local codes governing turnover as well as disinfectant feed ratios.
-  **WARNING** — Before servicing the system, switch the main power OFF and remove the communication cable from the pump.
-  **CAUTION** — Install the pump a minimum of 5 feet (1.5 m) from the inside wall of the pool and spa.
-  **CAUTION** — A No. 8 AWG or larger conductor must be wired to the motor bonding lug.
-  **CAUTION** — This pump is for use with permanently installed pools and may also be used with hot tubs and spas if so marked. Do not use with storable pools. A permanently installed pool is constructed in or on the ground or in a building such that it cannot be readily disassembled for storage. A storable pool is constructed so that it may be readily disassembled for storage and reassembled to its original integrity and has a maximum dimension of 18 feet (5.49m) and a maximum wall height of 42 inches (1.07m).
-  **CAUTION** — For hot tubs and spa pumps, do not install within an outer enclosure or beneath the skirt of a hot tub or spa unless so marked.
-  **CAUTION** — IntelliFlo® is capable of generating systems pressures up to 30 meters. Installers must ensure that all system components are rated to withstand at least 30 meters. Over pressurizing the system can result in catastrophic component failure or property damage.

General Installation Information

- **All work must be performed by a licensed electrician, and must conform to all EU country, and local codes.**
- Install to provide drainage of compartment for electrical components.

IMPORTANT SAFETY PRECAUTIONS (continued)

General Installation Information

⚠ WARNING — Pumps improperly sized or installed or used in applications other than for which the pump was intended can result in severe personal injury or death. These risks may include but not be limited to electric shock, fire, flooding, suction entrapment or severe injury or property damage caused by a structural failure of the pump or other system component

⚠ WARNING — The pump can produce high levels of suction within the suction side of the plumbing system. These high levels of suction can pose a risk if a person comes within the close proximity of the suction openings. A person can be seriously injured by this high level of vacuum or may become trapped and drown. It is absolutely critical that the suction plumbing be installed in accordance with the latest national and local codes for swimming pools.



⚠ WARNING — In a domestic environment, this product may cause radio interference in which case supplementary mitigation measures may be required.

⚠ WARNING — Do not install on IT (insulated terra) mains network (marine applications)

NOTE — If required by local building codes, the pump is to be supplied by an isolating transformer or supplied through a residual current device (RCD) having a residual operating current not exceeding 30 mA.

NOTE — Use RCD/GFCI type A or B.

- These instructions contain information for a variety of pump models and therefore some instructions may not apply to a specific model. All models are intended for use in swimming pool applications. The pump will function correctly only if it is properly sized to the specific application and properly installed.

General Warnings

- Never open the inside or the drive motor enclosure. There is a capacitor bank that holds a 230 VAC charge even when there is no power to the unit.
- The IntelliFlo® VS pump is not submersible
- The IntelliFlo® VS pump is capable of 35 m³/hr or 35 meters of head; use caution when installing and programming to limit pumps performance potential with old or questionable equipment
- Code requirements for the electrical connection differ from state to state. Install equipment in accordance with all applicable local codes and ordinances.
- Always Press the Stop button and disconnect the communication cable before performing maintenance

Section 1

Overview

IntelliFlo® VS Variable Speed Pump

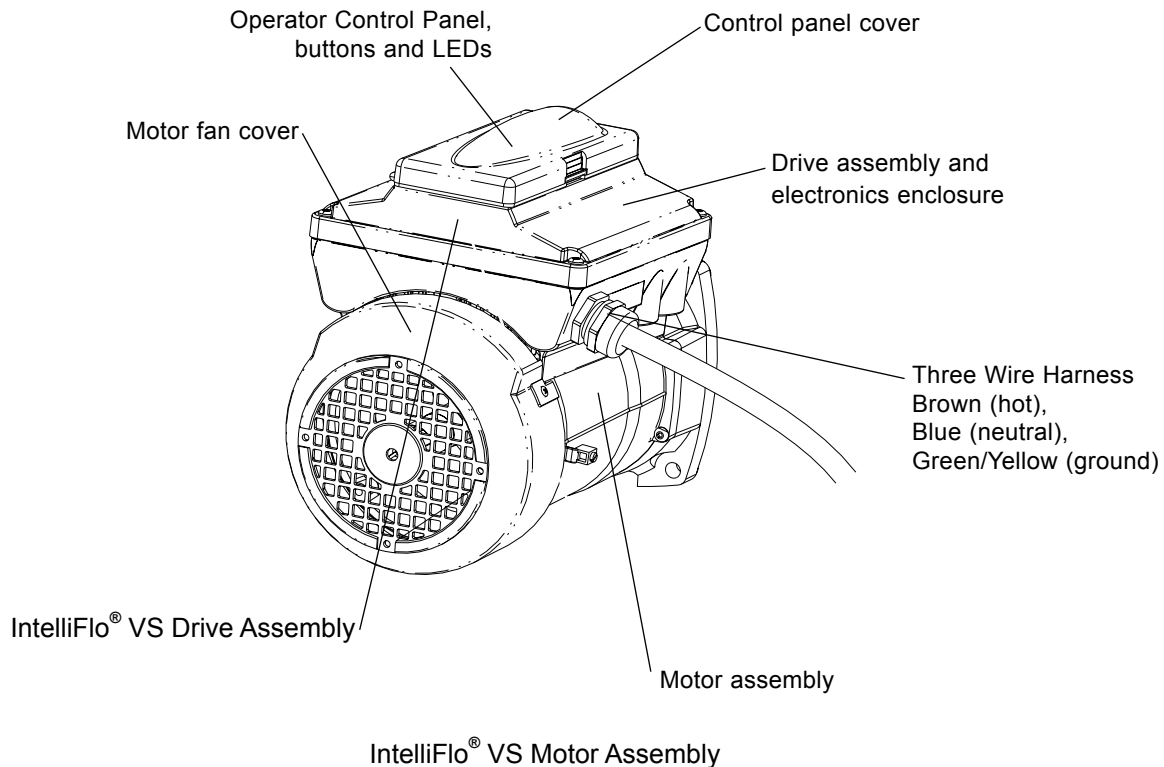
The IntelliFlo® VS variable speed pump is well suited for all of your pool, spa, cleaner, waterfall and other water application. Using the control panel, IntelliFlo® VS can use one of the four selectable preset speeds or the pump speed can be adjusted to run at a specific speed. IntelliFlo® out performs all conventional pumps in its class. Advanced energy conservation features ensure that your filtration system is operating at peak efficiency.

Features

- Adjusts to various pool sizes
- Prevents thermal overload
- Detects and prevents damage from under and over voltage conditions
- Protects against freezing
- Easy to use operator control panel
- Operator control panel buttons for speed control
- Built-in strainer pot and volute
- Ultra energy-efficient TEFC Square Flange Motor
- Compatibility with most cleaning systems, filters, and jet action spas
- Driver assembly features permanent magnet synchronous motor
- Heavy-duty, durable construction designed for long life

IntelliFlo® VS Motor Assembly

The IntelliFlo® three-phase six-pole motor operates at 3400 RPM (at 92% efficiency) and 1000 RPM (at 90%). The motor assembly is continually cooled by an external fan. Dual seals on the motor shaft and at the fan assembly seal the entire motor from any moisture from entering the motor assembly. For added protection, a slinger located in front of the main shaft seal assists in slinging water away from the shaft opening in the flange.



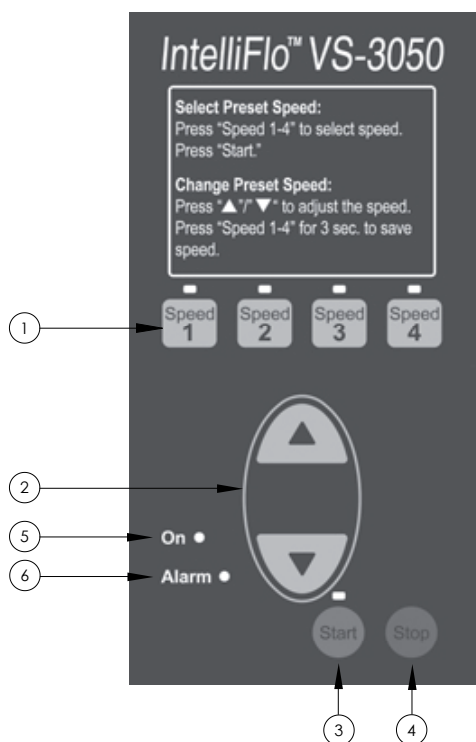
IntelliFlo® VS Drive Assembly and Control Panel

The IntelliFlo drive assembly consists of an operator control panel and the system electronics that drive the motor. The drive microprocessor controls the motor by changing the frequency of the current it receives together with changing the voltage to control the rotational speed.

- Permanent Magnet Synchronous Motor (PMSM)
- High efficiency (3400 RPM 92% and 1000 RPM 90%)
- Superior speed control
- Operates at lower temperatures due to high efficiency
- Same technology as deployed in hybrid electric vehicles
- Designed to withstand outdoor environment
- Totally enclosed fan cooled
- Three-phase motor
- 56 Square Flange
- Six-Pole
- Low noise

IntelliFlo® VS Operator Control Panel

The IntelliFlo® VS operator control panel provides manual speed controls for the pump. There are four preset speed buttons that can be selected. The Up and Down button is used to adjust the pump speed. The selected speed can be saved and assigned to one of the speed buttons.



Controls and LEDs

- ① **Speed 1, Speed 2, Speed 3, and Speed 4 button/LED:** Press one of the speed buttons to select the desired preset pump speed. The pump preset speeds are: **Speed 1 (750 RPM), Speed 2 (1500 RPM), Speed 3 (2350 RPM), and Speed 4 (3110 RPM)**. The speed button LED is on when the selected button is pressed. If the pump is running and the Up/Down button is used to adjust the speed, the selected speed LEDs will go off.
- ② **Up/Down button:** While the pump is running, press the Up or Down button to increase or decrease the pump speed. To save the new pump speed, press any one of the four speed buttons for three seconds to assign the speed to the selected button (the LED be on). Four adjusted pump speeds can be assigned to the speed buttons. When the pump is using an adjusted speed and the pump is powered down, the next time the pump is powered up the pump will use the same speed.
- ③ **Start button/LED:** Starts the pump using a selected or adjusted speed. This LED is on when the pump is running.
- ④ **Stop button:** Press this button to stop the pump.
- ⑤ **On LED:** This green power LED is on when IntelliFlo® VS is powered up.
- ⑥ **Alarm LED:** This LED is on when an error condition occurs. This green LED will flash a certain number of times indicating a specific error condition. For the alarm LED flash sequence, refer to “Alarm and Warning LED Sequence,” Section 5.

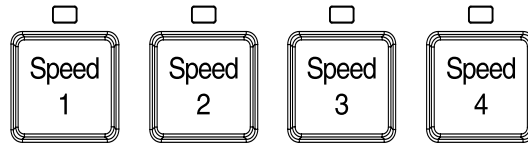
Operating IntelliFlo® VS

This section describes how to use the IntelliFlo® VS pump control panel.

Setting the pump preset speed

IntelliFlo® VS operates using one of the preset speeds. Use the speed buttons to select the preset speeds.

To set the pump speed



1. Ensure that the pump is powered on and the green power LED is on.
2. Press the desired speed button (1- 4) for less than three seconds to select the preset pump speed. When the selected speed button is pressed, the LED is on. The pump preset buttons and speeds are:

Speed 1 button - 750 RPM

Speed 2 button - 1500 RPM

Speed 3 button - 2350 RPM

Speed 4 button - 3110 RPM

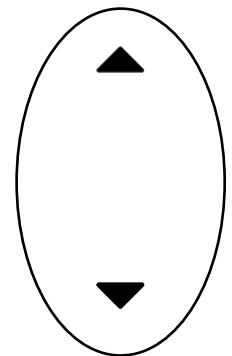
3. Press the **Start** button to start the pump using the selected speed if necessary.

Adjusting the pump speed

IntelliFlo® can be adjusted to run at any speed between 400 RPM and 3450 RPM.

To adjust the pump speed

1. Ensure that the pump is powered on and the green power LED is on.
2. Press the **Start** button to start the pump if the pump is not running.
3. Press the **UP/Down** button to increase or decrease the pump speed.
 - **10 RPM increments:** Press and quickly release the **Up/Down** button to increase or decrease the speed in 10 RPM increments.
 - **20 RPM increments:** Press and hold the **Up/Down** button to continuously increase or decrease the pump speed.
4. **Saving an adjusted speed:** To save the newly adjusted pump speed, press and hold the desired speed buttons to assign the current speed. Four new pump speeds can be assigned to Speed buttons (1-4).
5. Press the **Speed** button that is assigned to the adjusted speed.



Up/Down button

Starting the pump

To start the pump

1. Ensure that the pump is powered on and the green power LED is on.
2. Press the **Start** button (LED on) to start the pump.

Note: When the pump is using a modified speed and is powered down, the next time the pump is powered up, the pump will use that same speed.

Stopping the pump

To stop the pump

- Press the **Stop** button to stop the pump.

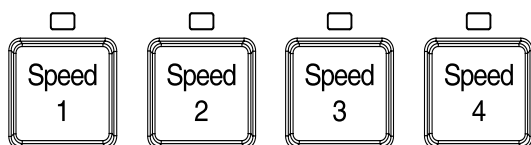
Note: The pump can automatically restart if the communication cable is connected.

Resetting the pump to factory defaults

The IntelliFlo® VS pump can be reset to the factory default settings. All previously adjusted pump speeds that were saved will be erased.

To reset the pump to the factory default settings:

1. Ensure that the pump is powered on and the green power LED is on.
2. Press the **Stop** button to stop the pump.
3. Press and hold all of the four **Speed** buttons simultaneously for three seconds. Power off the drive and reenergize. The default settings will be in effect.



Control Panel Speed Buttons

Priming the pump for the first time or after service

Before the IntelliFlo® VS pump is started for the first time it must be primed. To prime a pump means filling the pump and suction pipe with water. This process evacuates the air from all the suction lines and the pump. It may take several minutes to prime depending on the depth of water, pipe size and length. It is easier to prime a pump if you allow all the air to escape from the pump and pipes. The water cannot enter unless the air can escape. Pumps do not hold prime, the pool piping system has that task.

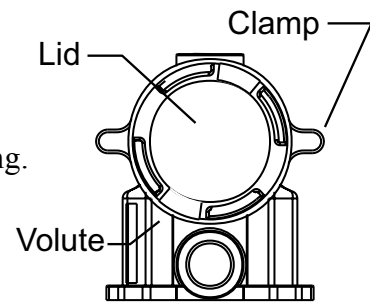
CAUTION - To avoid permanent damage to the IntelliFlo® VS pump, before starting the pump, fill the IntelliFlo® housing strainer with water so that the pump will prime correctly. If there is no water in the strainer the pump will not prime.

- NEVER run the pump dry! Running the pump dry may damage the seals, causing leakage and flooding!
- Do not add chemicals to the system directly in front of pump suction. Adding undiluted chemicals may damage the pump and will void the warranty.
- Open gate valves before starting system.
- Pump will prime itself when used in flooded suction system.
- Be sure to release all air from filter and piping system.
- The IntelliFlo® VS pump is a variable speed pump. Typically the lower speeds are used for filtration and heating. The higher speeds can be used for spa jets, water features, and priming.

CAUTION - Before starting this procedure, first read the following

Before removing the pump lid:

1. **Press the Stop button** if the pump is running before proceeding.
1. **Disconnect the communication cable from the pump.**
2. **Close the gate valves** in suction and discharge pipes.
3. **Release all pressure** from pump and piping system.
4. **Never tighten or loosen** the clamp while the pump is operating.



WARNING! If the pump is being pressure tested, release all pressure before removing the clamp. Do not block the pump suction while the pump is running. If a body part blocks the pump suction it may cause severe or fatal injury. Small children using the pool must ALWAYS have close adult supervision.

WARNING! FIRE and BURN HAZARD - The pump motor may run at a high temperatures. To reduce the risk of fire, do not allow leaves, debris, or foreign matter to collect around the pump motor. To avoid burns when handling the motor, shut off the motor and allow it to cool for 20 minutes before trying to work on it. The IntelliFlo VS provides an automatic internal cutoff switch to protect the motor from heat damage during operation.

Priming the pump for the first time or after service (Continued)

Priming the Pump

- Release all pressure from filter, pump, and piping system; see the filter owner's manual.
- In a flooded suction system (water source higher than pump), the IntelliFlo® VS pump will prime itself when suction and discharge valves are opened.
- If the IntelliFlo® VS pump is not in a flooded suction system, remove clamp and lid ; fill the pump with water.
- Do not lubricate the lid o-ring. The original equipment o-ring contains a permanent internal lubricant.

NOTICE: If you replace the o-ring with a non-internally lubricated o-ring, you may need to apply a silicone based lubricant.

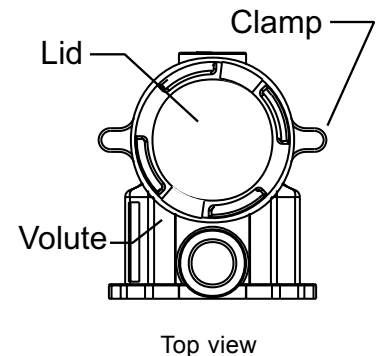
- Clean and inspect o-ring; reinstall on lid.
- Replace clamp on strainer pot; turn clockwise to tighten clamp.

NOTICE: Tighten the pump clamp by hand only (no wrenches)!

Pump should prime now. Priming time will depend on vertical length of suction lift and horizontal length of suction piping. If pump does not prime, make sure that all valves are open, suction pipe end is under water, pump suction is below water level, and that there are no leaks in suction pipe.

To prime the IntelliFlo® VS pump:

1. Turn the pump clamp and lid in a counterclockwise direction until it stops and remove them.
2. Fill the pump strainer pot with water.
3. Reinstall the pump clamp and lid onto the strainer pot. The pump is now ready to prime.
4. Make sure all electrical connections are clean and tight.
5. Open the air release valve on the filter, and stand clear of the filter.
6. Switch the IntelliFlo® pump on at the circuit breaker. Ensure that the green power light is on.
7. Press the **Speed 1** button to select the pump speed of 750 RPM.
8. Press the **Start** button to start the pump. Use the **Up/Down** button to increase the speed as necessary to prime the pump.
9. When water comes out of the air release valve, close the valve. The system should now be circulating water back to the pool without air bubbles showing in either the hair and lint pot or at the pool return fittings.
10. Use the **Up/Down** button to adjust the operating speed as desired.



Section 3

User Maintenance

The following information describes how to service and maintain the IntelliFlo® pump.

Pump Strainer Basket

The strainer, sometimes referred to as the “Hair and Lint Pot,” is in front of the of the pump. Inside there is a basket which must be kept clean of leaves and debris at all times. View the basket through the top see through lid to inspect for leaves and debris.

Regardless of the length of time between filter cleaning, it is most important to visually inspect the hair and lint pot basket at least once a week. A dirty basket will reduce the efficiency of the filter and possibly the heater.

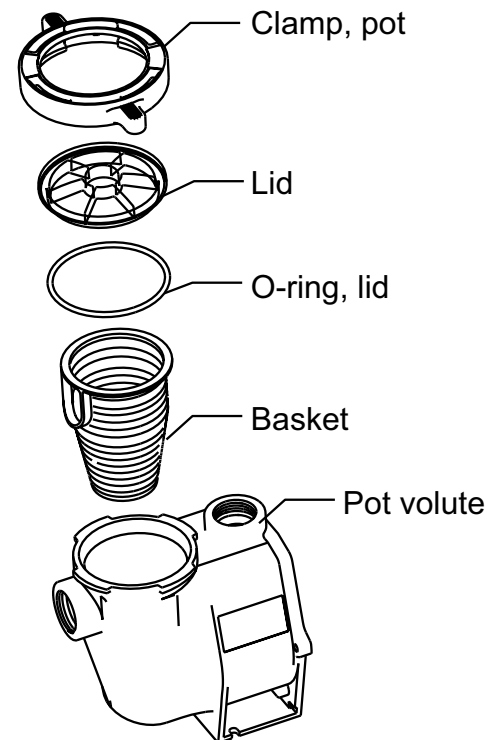
⚠ WARNING — DO NOT open the strainer pot if pump fails to prime or if pump has been operating without water in the strainer pot. Pumps operated in these circumstances may experience a build up of vapor pressure and may contain scalding hot water. Opening the pump may cause serious personal injury. In order to avoid the possibility of personal injury, make sure the suction and discharge valves are open and that the strainer pot is cool to the touch, then open with extreme caution.

⚠ CAUTION — To prevent damage to the pump and filter and for proper operation of the system, clean pump strainer and skimmer baskets regularly.

Pump Strainer Basket Service

If the IntelliFlo® pump is installed below the water level of the pool, close the return and suction lines before opening the hair and lint pot on the pump.

1. Press the Stop button to stop the pump and switch off the pump at the circuit breaker.
2. Relieve pressure in the system.
3. Turn the clamp and lid in a counterclockwise direction until it stops.
4. Remove the clamp and lid.
5. Remove the basket and put the debris into the trash and rinse out the basket. If the basket is cracked, replace the basket.
6. Replace the basket and fill the pump pot and volute with water up to the inlet port.
7. Clean the cover, o-ring, and sealing surface of the pump pot. Grease the o-ring with Teflon or silicone lubricant.
8. Reinstall the lid by placing the clamp and the lid on the pot.

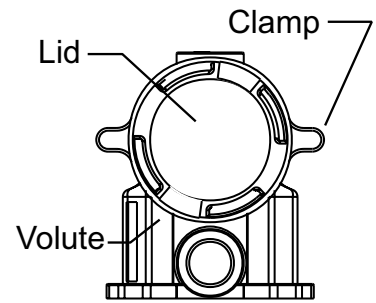


Pump Strainer Basket Service (Continued)

9. Ensure that the lid o-ring is properly placed. Seat the clamp and lid then turn clockwise until the handles are horizontal as shown.
10. Reconnect the communication cable to the pump if required.
11. Switch the power ON at the circuit breaker. Reset the pool time clock to the correct time.



WARNING — FILTER OPERATES UNDER HIGH PRESSURE. WHEN ANY PART OF THE CIRCULATING SYSTEM (e.g., LOCK RING, PUMP, FILTER, VALVES, ETC.) IS SERVICED, AIR CAN ENTER THE SYSTEM AND BECOME PRESSURIZED. PRESSURIZED AIR CAN CAUSE THE LID TO BLOW OFF WHICH CAN RESULT IN SEVERE INJURY, DEATH, OR PROPERTY DAMAGE. TO AVOID THIS POTENTIAL HAZARD, FOLLOW THESE INSTRUCTIONS.



12. Open the manual air relief valve on top of the filter.
13. Stand clear of the filter. Press the Start button on the pump.
14. Bleed air from the filter until a steady stream of water comes out.
15. Close the manual air relief valve.

Motor Service

1. Protect from heat:

- Shade the motor and controller from the sun.
- Any enclosure must be well ventilated to prevent overheating. Particular attention should be paid to the motor fan cover and the cooling fins between the drive and the motor.
- Provide ample cross ventilation.

2. Protect against dirt:

- Protect from any foreign matter or splashing water.
- Do not store (or spill) pool chemicals near the motor.
- Avoid sweeping or stirring up dust near the motor while it is operating.
- If a motor has been damaged by dirt it voids the motor warranty.

3. Protect against moisture:

- Protect from splashing pool water.
- Protect from the weather.
- Protect from lawn sprinklers.
- If a motor has become wet - let it dry before operating. Do not allow the pump to operate if it has been flooded.
- If a motor has been damaged by water it voids the motor warranty.

Note: DO NOT wrap motor and controller with plastic or other air tight materials. The motor and controller may be covered, but not wrapped in plastic, during a storm, for winter storage, etc., but never when operating, or expecting operation.

When replacing the motor, be certain that the motor support is correctly positioned to support the size of motor being installed.

Winterizing

To protect the IntelliFlo® VS pump electronics from damage due to freezing conditions, the pump will switch itself on to generate internal heat when the air temperature drops below 40° F. **This feature is not intended to protect the system plumbing from freezing.**

1. If the air temperature drops below 40° F the water in the pump can freeze and cause damage. Freeze damage is not warrantable.
2. To prevent freeze damage follow the procedures listed below.
 - Shut off electrical power for the pump at the circuit breaker.
 - Drain the water out of the pump by removing the two thumb-twist drain plugs located at the bottom of the volute. Store the plugs in the pump basket.
 - Cover the motor to protect it from severe rain, snow and ice.
 - Do not wrap the motor in plastic. It will cause condensation and rust on the inside of the motor.

Note: In mild climate areas, when temporary freezing conditions may occur, run your filtering equipment all night to prevent freezing.

Priming the pump after service

Before a system start-up, the pump and system must be manually primed. Make sure to reopen valves before operating. To prime IntelliFlo® VS, the strainer pot must be filled with water.

⚠ CAUTION — DO NOT run the pump dry. If the pump is run dry, the mechanical seal will be damaged and the pump will start leaking. If this occurs, the damaged seal must be replaced. ALWAYS maintain proper water level in your pool. Continued operation in this manner could cause a loss of pressure, resulting in damage to the pump case, impeller and seal.

For instructions about how to prime the IntelliFlo® VS pump, refer to “Priming the pump for the first time or after servicing,” Section 2.

Section 4

Installation and Removal

The following information describes how to install the IntelliFlo® VS pump.

Note: Before installing this product, read and follow all warning notices and instructions.

IntelliFlo VS Kit Contents

- IntelliFlo® VS pump

Installing the IntelliFlo® VS

Only a qualified service person should install the IntelliFlo VS pump.

Location

1. Install the pump as close to the pool or spa as possible. To reduce friction loss and improve efficiency, use short and direct suction and piping returns.
2. Install a minimum of 5 feet (1.5 m) from the inside wall of the pool and spa.
3. Install the pump a minimum of 2 feet (0.6 m) from the heater outlet.
4. Do not install the pump more than 8 feet (2.4 m) above the water level.
5. Install the pump in a sheltered well ventilated location protected from excessive moisture, (i.e., rain, sprinklers, etc.).
6. For hot tubs and spas, do not install within an outer enclosure or beneath the skirt of a hot tub or spa.
7. Install the pump with a rear clearance of at least 6 inches (15 cm) so that the motor can be removed easily for maintenance and repair.

Piping

For improved pool plumbing, it is recommended to use a larger pipe size. When installing the inlet and outlet fittings (male adaptors), use thread sealant.

Do not install 90° elbows directly into pump inlet or outlet. A valve, elbow or tee installed in the suction line should be no closer to the front of the pump than five (5) times the suction line pipe diameter. This will help the pump prime faster and last longer.

Flooded suction systems should have gate valves installed on suction and discharge pipes for maintenance, however, the suction gate valve should be no closer than five (5) times the suction pipe diameter as described above.

Check Valve

Check valves must be used when the IntelliFlo® VS is used in parallel with other pumps. IntelliFlo® pumps cannot be used in series with other pumps.

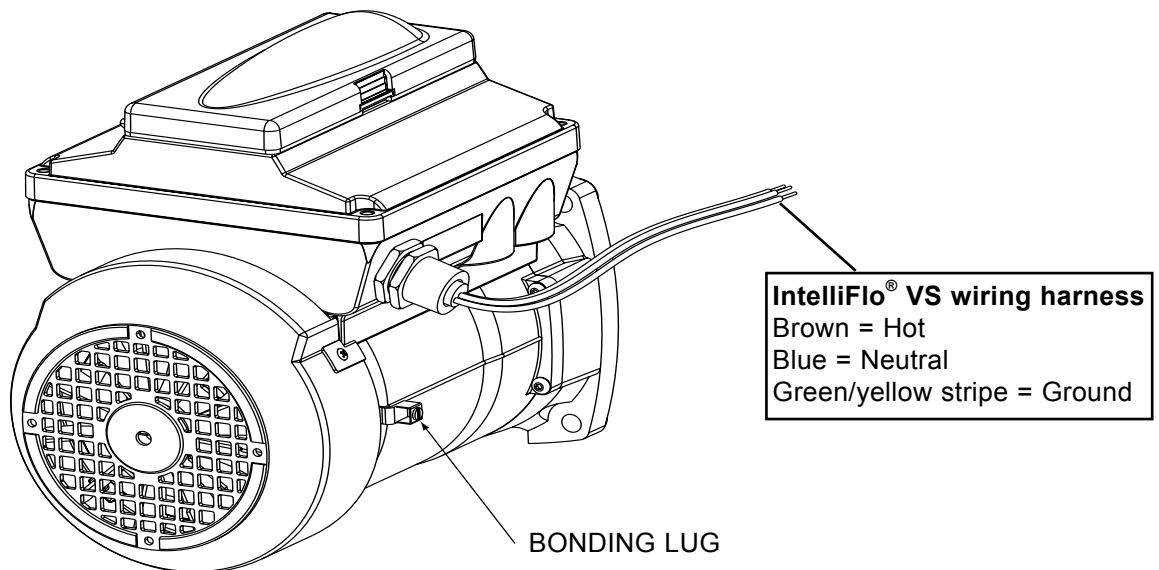
Wiring the IntelliFlo® VS

To connect the IntelliFlo® to an AC power source:

1. Make sure all electrical breakers and switches are turned off before wiring motor.
2. Make sure that the wiring voltage is 230 VAC.
3. Use #12 AWG for wire runs up to 100 feet (30 m) and #10 AWG for lengths longer than 100 feet (30 m). When in doubt use a heavier gauge (larger diameter) wire. Heavier gauge will allow the motor to run cooler and more efficient.
4. Make sure all electrical connections are clean and tight.
5. Cut the wires to the appropriate length so they do not overlap or touch when connected.
6. Permanently ground the motor using the green/yellow ground wire, as shown below. Use the correct wire size and type specified by EU Electrical Codes. Make sure the ground wire is connected to an electrical service ground.
7. Bond the motor to the pool structure in accordance with the local regulations. Use a solid No. 8 AWG or larger copper conductor. Run a wire from the external bonding lug to the pool bonding structure, as shown below.

NOTE: When the IntelliFlo® VS pump is started and stopped by removing power with a relay or timer, a two-pole device should be used to apply and remove power to both of the red power leads.

The IntelliFlo® is designed to be permanently connected to its power source. Typically the pump receives power directly from the circuit breaker. No contactor or motor starter is required. IntelliFlo® can be operated in “stand-alone” mode, starting and stopping when power is applied or removed. When the drive powers up it will return to the mode and run status that it was in when power was removed. This setup maybe appropriate if you need to use existing relays or timers.







IntelliFlo® VS Electrical Specifications

Circuit Protection: Two-pole 20 AMP device at the Electrical Panel.

Input: 230 VAC, 50/60 Hz, 3,2 kW

Pump Disassembly

-  **WARNING** — Always disconnect power to the pool pump at the circuit breaker and disconnect the communication cable before servicing the pump. Failure to do so could result in death or serious injury to serviceman, pool users or others due to electric shock.
-  Read all servicing instructions before working on the pump.
-  **WARNING** — **DO NOT** open the strainer pot if pump fails to prime or if pump has been operating without water in the strainer pot. Pumps operated in these circumstances may experience a build up of vapor pressure and may contain scalding hot water. Opening the pump may cause serious personal injury. In order to avoid the possibility of personal injury, make sure the suction and discharge valves are open and strainer pot temperature is cool to touch, then open with extreme caution.
-  **CAUTION** — Be sure not to scratch or mar the polished shaft seal faces; seal will leak if faces are damaged.

All moving parts are located in the rear subassembly of the IntelliFlo® pump.

Tools required:

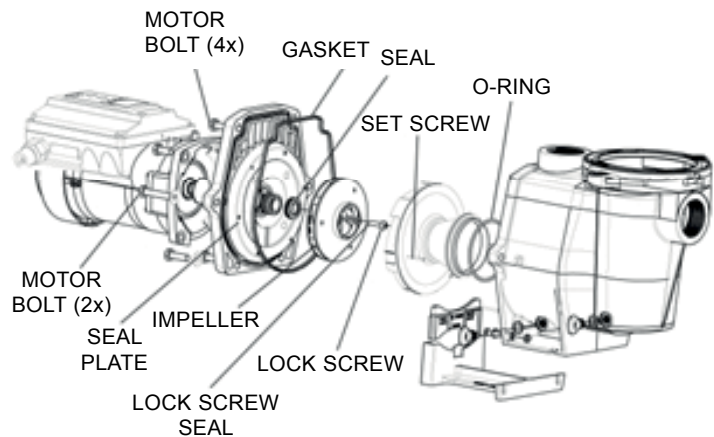
- 3/32 inch Allen head wrench.
- ½ inch open end wrench.
- 9/16 inch open end wrench.
- Flat blade screwdriver.

To remove and repair the pump mechanical seal, perform the following procedures:

1. Switch off the pump circuit breaker at the main panel.
2. Drain the pump by removing the drain plugs.
3. Remove the six bolts that hold the main pump body (strainer pot/volute) to the rear subassembly.
4. GENTLY pull the two pump halves apart, removing the rear subassembly.
5. Use a 3/32 inch Allen head wrench to loosen the two holding screws located on the diffuser.
6. Hold the impeller securely in place and remove the impeller lock screw by using a Phillips head screwdriver. The screw is a left-handed thread and loosens in a clockwise direction.
7. Use a flat blade screwdriver to hold the motor shaft. The motor shaft has a slot on the end which is accessible through the center of the fan cover.

Pump Disassembly (Continued)

8. To unscrew the impeller from the shaft, twist the impeller counterclockwise.
9. Remove the rotating portion of the mechanical seal from the impeller.
10. Remove the four bolts from the seal plate to the motor, using a 9/16 inch wrench.
11. Place the seal plate face down on a flat surface and tap out the carbon spring seat.
12. Clean the seal plate, seal housing, and the motor shaft.



Pump Reassembly/Seal Replacement

1. When installing the replacement shaft seal, use silicone sealant on the metal portion before pressing into the seal plate as shown.
2. Before installing the rotating portion of the seal into the impeller, be sure the impeller is clean. Use a light density soap and water to lubricate the inside of the seal. Press the seal into the impeller with your thumbs and wipe off the ceramic and carbon faces with a clean cloth.
3. Remount the seal plate to the motor.
4. Grease the motor shaft thread and screw impeller onto the motor shaft.
5. Screw in the impeller lock screw (counterclockwise to tighten).
6. Remount the diffuser onto the seal plate. Make sure the plastic pins and holding screw inserts are aligned.
7. Grease the diffuser o-ring and seal plate gasket prior to reassembly.
8. Grease the bolt threads, assemble the motor subassembly to the strainer pot-pump body by using the two (2) through bolts for proper alignment. Do not tighten the through bolts until all six (6) bolts are in place and finger tightened.
9. Fill the pump with water.
10. Reinstall the pump lid and plastic clamp.
11. Prime the pump.

Shaft Seal Replacement

The Shaft Seal consists primarily of two parts, a rotating member and a ceramic seal. The pump requires little or no service other than reasonable care, however, a shaft seal may occasionally become damaged and must be replaced.

Note: The polished and lapped faces of the seal could be damaged if not handled with care.

Drive Assembly Removal and Installation

To remove the IntelliFlo® drive and control panel from the motor assembly:

1. Make sure all electrical breakers and switches are turned off before removing the drive.
2. Open the control panel cover.
3. Remove the three Phillips head screws securing the drive to the motor assembly as shown.

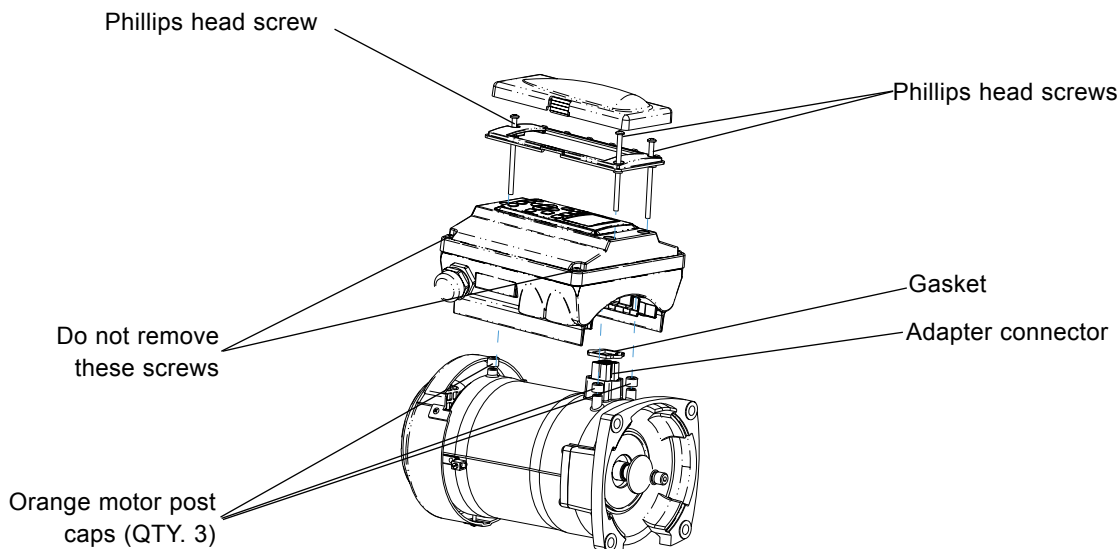
CAUTION: TO AVOID ELECTRICAL HAZARD, DO NOT REMOVE THE FOUR TAMPER PROOF BITS FROM THE MOTOR ASSEMBLY

4. Lift up the drive assembly and remove it from the motor adapter located on top of the motor assembly.

Note: Be careful not to remove the gasket between the drive and motor; it is critical in keeping moisture out of the drive and motor. Replace the gasket if damaged. Do not reassemble with a damaged or missing gasket.

To install the IntelliFlo® drive assembly onto the motor assembly:

1. Make sure all electrical breakers and switches are turned off before installing the drive.
2. Be sure that the gasket between the drive and motor is in place. It is critical in keeping moisture out of the drive and motor. Replace the gasket if damaged. Do not reassemble with a damaged or missing gasket.
3. Verify that the three (3) orange motor post caps are in position before placing the drive on the motor assembly.
4. Align the drive assembly with the motor adapter and seat the drive on the motor assembly.
5. Secure and tighten the drive assembly with the three Phillips head screws.



An illustrated spare parts list can be found at:

www.pentairpooleurope.com

Section 5

Troubleshooting

 **CAUTION:** Before installing this product, read and follow all warning notices and instructions.

Warning and Alarm conditions

The IntelliFlo® VS alarms and warnings are indicated by flashing LEDs on the control panel. For example, if a “Drive Temperature” warning occurs, the LED will blink two times, then Off, then blink two times. This sequence is repeated until the condition is cleared.

- **Warning condition:** If a warning condition occurs the pump will continue to run but at a reduced speed. The Green LED executes a sequence of blinks to indicate which alarm or warning has occurred.
- **Alarm condition:** If an alarm condition occurs the pump will stop running. The red LED flashes continuously to indicate the presence of an alarm. The alarm LEDs will reset when the condition clears.

Alarm and warning LED sequence

Number of time the LED will blink	Alarm	Description	Action
2	Drive Temperature Warning	Excessive drive temperature	<ol style="list-style-type: none"> 1. Ensure the motor fan has adequate area for ventilation. 2. Stop motor and allow to cool. 3. Run motor at a higher speed to improve cooling air flow.
5	Unknown alarm	Electron failure	<ol style="list-style-type: none"> 1. Cycle power to reset pump. 2. Replace drive.
6	Drive Temperature Alarm	Excessive drive temperature	<ol style="list-style-type: none"> 1. Ensure the motor fan has adequate area for ventilation. 2. Run motor at a higher speed to improve cooling air flow.
7	Power Out Alarm	Supply voltage low	Ensure proper supply voltage.
8	Over current Alarm	Excessive drive current	<ol style="list-style-type: none"> 1. Examine fluid/mechanical system for source of overload. 2. De-energize motor and determine if motor spins freely. 3. Replace drive.
9	Over voltage Alarm	Excessive voltage on drive buss	<ol style="list-style-type: none"> 1. Rapid switching between speeds can cause excessive voltages on the drive's DC buss. 2. Ensure proper supply voltage.

General IntelliFlo® VS Troubleshooting Problems

Use the following general troubleshooting information to resolve possible problems with your IntelliFlo® VS pump.

Note: Switch the main power off to the pump before attempting service or repair.

Problem	Possible Cause	Corrective Action
<p>Pump failure. Refer to Alarm and warning LED sequence.</p>	<p>Pump will not prime - Air leak in suction.</p> <p>Pump will not prime - Not enough water.</p> <p>Pump strainer clogged.</p> <p>Pump strainer gasket defective.</p>	<p>Check suction piping and valve glands on any suction gate valves. Secure lid on pump strainer pot and make sure lid gasket is in place. Check water level to make sure skimmer is not drawing air.</p> <p>Ensure that the suction lines, pump, strainer, and pump volute are full of water.</p> <p>Clean pump strainer pot.</p> <p>Replace gasket.</p>
<p>Reduced capacity and / or head. Refer to Alarm and warning LED sequence.</p>	<p>Air pocket or leaks in suction line.</p> <p>Clogged impeller.</p> <p>Pump strainer clogged.</p>	<p>Check suction piping and valve glands on any suction gate valves.</p> <p>Turn off electrical power to the pump.</p> <p>Remove the (6) bolts that holds the volute to the seal plate.</p> <p>Slide the motor and seal plate away from the volute.</p> <p>Clean debris from impeller. If debris cannot be removed, complete the following steps.</p> <ol style="list-style-type: none"> 1. Remove diffuser and o-ring. 2. Remove left hand thread anti-spin bolt and o-ring. 3. Remove, clean and reinstall impeller. 4. Reinstall anti-spin bolt and o-ring. <p>Reinstall diffuser, and o-ring.</p> <p>Reinstall motor and seal plate into volute.</p> <p>Reinstall (6) bolts around seal plate and volute and tighten securely.</p> <p>Clean suction trap.</p>

Kundendienst

HERENTALS, BELGIEN (8:30 bis 16:30 Uhr) MEZ

Telefon: + 32 (0) 14 25 99 11

Webseite: www.pentairpooleurope.com

Konformitätserklärung

Wir erklären unter unserer alleinigen Verantwortung, dass das in dieser Erklärung genannte Produkt, auf das sich diese Erklärung bezieht, konform zu den Anforderungen der Ratsrichtlinie 98/37/EWG ist.



- Standard EN60335-1, EN50178, EN61800-5-1
- Standard EN61800-3, EN61000-6-2, EN61000-6-4

Hersteller: Pentair Water Belgium bvba
Industriepark Wolfstee
Toekomstlaan 30
B-2200 Herentals - Belgium
+32 (0) 14.25.99.11
www.pentairpooleurope.com

WICHTIGE SICHERHEITSANWEISUNGEN LESEN UND BEFOLGEN SIE ALLE ANWEISUNGEN BEWAHREN SIE DIESE ANLEITUNGEN AUF

© 2011 Pentair International LLC. Alle Rechte vorbehalten.

Die Informationen in diesem Dokument können ohne Vorankündigung Änderungen unterliegen.

Handelsmarken und Haftungsausschlüsse: IntelliFlo® und Pentair Pool Products™ sind eingetragene Warenzeichen und/oder registriert eingetragene Warenzeichen von Pentair und/oder sein angeschlossenes Firmen. Es sei denn gemerkt, Namen und Marken von anderen, die in diesem Dokument verwendet werden können, sind nicht verwendete, eine Verbindung oder eine Aufschrift zwischen den Eigentümern anzuzeigen von diesen Namen und Marken und Pentair. Die Namen und Marken können die eingetragenen Warenzeichen oder die geschützten Warenzeichen von denen sein Parteien oder andere.

Inhaltsverzeichnis

Wichtige Sicherheitsvorkehrungen	27
Abschnitt 1: Überblick über IntelliFlo®	30
IntelliFlo® VS Pumpe mit variabler Geschwindigkeit	30
Funktionen	31
IntelliFlo® VS Motorbaugruppe	31
Steuerungsbaugruppe und Bedienfeld von IntelliFlo® VS	31
Bedienfeld der IntelliFlo® VS	32
Steuerungen und LED-Lämpchen	32
Abschnitt 2: Betrieb der IntelliFlo® VS	33
Einstellen der voreingestellten Pumpengeschwindigkeit	33
Einstellen der Pumpengeschwindigkeit	33
Das Starten der Pumpe	34
Das Stoppen der Pumpe	34
Rücksetzen der Pumpe auf die werkseitigen Einstellungen	34
Ansaugenlassen der Pumpe beim ersten Mal oder nach einem Service	35
Ansaugenlassen der Pumpe	36
Abschnitt 3: Wartung durch den Benutzer	37
Abscheiderkorb der Pumpe	37
Wartung des Abscheiderkorbs der Pumpe	37
Wartung des Motors	38
Einwintern	39
Ansaugenlassen der Pumpe nach einem Service	39
Abschnitt 4: Installation und Demontage	40
Umfang des IntelliFlo® VS-Kit	40
Betrieb der IntelliFlo® VS	40
Aufstellort	40
Rohrleitungen	40
Sperrventil	40
Verkabelung der IntelliFlo® VS	41
Elektrische Spezifizierungen der IntelliFlo® VS	46
Auseinanderbauen der Pumpe	42
Wieder Zusammenbauen der Pumpe / Austauschen der Dichtung	43
Austauschen der Wellendichtung	43
Entfernen und Installation der Steuerungsgruppe	44
Abschnitt 5: Fehlerbehebung	47
Warnungen und Alarme	47
LED-Abfolge bei Alarm und bei Warnung	47
Allgemeine Fehlerbehebungsprobleme an der IntelliFlo® VS	48
Abmessungen der IntelliFlo® VS-Pumpe	140
Intelliflo® VS Durchfluss und Leistung gg. Pumpen-Durchflusskurve	141

WICHTIGE SICHERHEITSVORKEHRUNGEN



Wichtiger Hinweis:

Achtung Installateur: Dieses Handbuch enthält wichtige Informationen für die Installation, den Betrieb und die sichere Benutzung dieses Produkts. Diese Informationen sollten dem Besitzer bzw. Betreiber dieser Anlage übermittelt werden.



WARNUNG — Lesen Sie vor dem Installieren dieses Produkts alle Warnhinweise und Anleitungen durch und befolgen Sie sie. Wenn die Sicherheitswarnungen und Anweisungen nicht befolgt werden, kann das zu schweren Verletzungen, Tod, oder zumindest Sachschäden führen.



WARNING — Hinweis über das Vermeiden von Verfangen:



Die Ansaugöffnung in einem Schwimmbecken oder Spa, die an die Pumpe angeschlossen ist, kann, wenn sie blockiert wird, einen starken Vakuumpzug erzeugen. Daher kann jemand, wenn nur eine Ansaugöffnung benutzt wird, die kleiner als 46 cm x 58 cm ist, und er bzw. sie die Öffnung mit dem Körper blockiert, gefangen und an der Ansaugöffnung festgehalten werden. Die Folge können Schäden an inneren Organen oder Ertrinken sein.

Deshalb sollten Sie, wenn mit dieser Pumpe kleine Ansaugöffnungen benutzt werden sollen, um dieses Verfangen mit möglicher Todesfolge zu verhüten, mindestens zwei Ansaugöffnungen im Wasser installieren. Trennen Sie diese Ansaugöffnungen so, wie im International Residential Code (IRC), in der Internationalen Geschäftsvorschrift (IBC) und in den Richtlinien des Rats für Verbraucher-Produktsicherheit (CPSC) bezüglich der Gefahr des Verfangens beschrieben: Sicherere Anlage von Schwimmbecken und Spa, oder Standard ANSI/IAF-7 zur Vermeidung von Verfangen durch Ansaugung in Schwimmbecken, Watbecken, Spas, Warmwasserbecken und Ringbecken. Wenn keine solchen Ansaugöffnungen benutzt werden, sollten zusätzliche Maßnahmen zum Vermeiden von Verfangen getroffen werden, wie in den CPSC-Richtlinien oder in ANSI/IAF-7 beschrieben.

Die Abdeckungen, die an solchen Ansaugöffnungen benutzt werden, sollten genehmigt und als konform zu der derzeit veröffentlichten Ausgabe des Standards ANSI/ASME A112.19.8 aufgelistet sein, der die Ansaugarmaturen zur Benutzung in Schwimmbecken, Watbecken, Spas und Warmwasserbecken abdeckt. Diese Abdeckungen sollten regelmäßig inspiziert werden und sind auszutauschen, wenn sie Risse aufweisen, gebrochen sind, oder wenn das auf ihnen vom Hersteller angegebene Ablaufdatum überschritten ist. Die maximal mögliche Durchflussrate dieser Pumpe sollte weniger als oder gleich der maximal zulässigen Durchflussrate sein, die auf der Abdeckung der Ansaugöffnung vom Hersteller angegeben ist. DIE VERWENDUNG VON NICHT GENEHMIGTEN ABDECKUNGEN BZW. DAS GESTATTEN DER BENUTZUNG DES SCHWIMMBECKENS ODER SPA, WENN ABDECKUNGEN RISSE AUFWEISEN ODER GEBROCHEN SIND, KANN ZU EINEM VERFANGEN DER HAARE UND MÖGLICHERWEISE ZUM TOD FÜHREN.



WARNING — Gefahr von Stromschlägen oder von Tod durch Stromeinwirkung.



Diese Schwimmbeckenpumpe muss von einem lizenzierten oder zertifizierten Elektriker bzw. von einem qualifizierten Schwimmbecken-Wartungstechniker in Einhaltung aller geltenden örtlichen Vorschriften und Verordnungen installiert werden. Eine unsachgemäße Installation führt zu Stromgefahren, die durch Stromschlag den Tod oder schwere Verletzungen an den Benutzern des Schwimmbeckens, den Installateuren und anderen verursachen könnten. Sie können jedenfalls auch Sachschäden verursachen.

Schalten Sie immer mit dem Hauptschalter den Strom an der Schwimmbeckenpumpe ab, bevor Sie Wartungsarbeiten an der Pumpe beginnen. Wird das nicht getan, können der Wartungstechniker, Benutzer des Schwimmbeckens und andere durch Stromschlag schwer verletzt werden oder sogar sterben.

WICHTIGE SICHERHEITSVORKEHRUNGEN (Fortsetzung)

WARNUNG

— Wassertemperaturen über 38° C können für Ihre Gesundheit gefährlich sein. Längerer Aufenthalt in heißem Wasser kann eine Hyperthermie herbeiführen. Eine Hyperthermie tritt auf, wenn die Körpertemperatur mehrere Grad über die normale Körpertemperatur von 37°C ansteigt (Fieber). Zu den Symptomen von Hyperthermie gehören: Schläfrigkeit, Lethargie, Benommenheit, Ohnmächtig werden und allgemein ein Anstieg der Körpertemperatur.



Zu den Wirkungen von Hyperthermie gehören: 1) Man ist sich der drohenden Gefahr nicht bewusst. 2) Man nimmt die Hitze nicht mehr wahr. 3) Man erkennt die Notwendigkeit nicht, das Warmbad zu verlassen. 4) Physische Unfähigkeit, das Warmbad zu verlassen. 5) Schädigungen des Fötus bei schwangeren Frauen. 6) Bewusstlosigkeit und dadurch Gefahr des Ertrinkens.

WARNUNG

— **Der Genuss von Alkohol, Drogen, oder Medikamenten kann das Risiko einer schweren Hyperthermie in Warmwasserbecken und Spa-Becken stark erhöhen.**

WARNUNG

— Lassen Sie, um die Gefahr von Verletzungen zu reduzieren, Kinder dieses Produkt nicht benutzen, es sei denn, sie sind dabei jederzeit unter enger Aufsicht.

WARNUNG

— Für Anlagen, die für eine andere Verwendung als für Einfamilienhäuser gedacht sind, muss als Teil der Installation ein klar gekennzeichnete Notschalter vorgesehen werden. Dieser Schalter muss den Benutzern leicht zugänglich sein und soll mindestens 1,52 m (5 Fuß) von der Anlage entfernt und in deren Sichtweite installiert sein.

WARNUNG

— Beim Festlegen von Schwimmbecken Umwälz- bzw. Durchflussraten muss der Betreiber die örtlichen Vorschriften für das Umwälzen sowie für die Menge des zugesetzten Desinfektionsmittels beachten.

WARNUNG

— Vor jeder Wartungsarbeit am System den Hauptschalter auf AUS stellen und das Kommunikationskabel von der Pumpe entfernen.

VORSICHT

— Installieren Sie die Anlage mindestens 1,5 m (5 Fuß) von der Innenwand des Schwimmbeckens oder Spa entfernt.

VORSICHT

— Am Befestigungsbügel des Motors muss ein No. 8 AWG oder breiterer Leiter verkabelt werden.

VORSICHT

— Diese Pumpe ist zur Verwendung an fix installierten Schwimmbecken und kann, wenn sie dafür gekennzeichnet ist, auch für Warmwasserbecken und Spa-Bäder verwendet werden. Nicht an nicht fix installierten Schwimmbecken verwenden. Ein fix installiertes Schwimmbecken ist im Boden eingetieft oder auf dem Boden aufgebaut, bzw. befindet sich in einem Gebäude und kann nicht leicht zur Lagerung abgebaut werden. Ein lagerbares Schwimmbecken ist so konstruiert, dass es leicht zur Lagerung abgebaut und wieder auf die ursprüngliche Größe zusammengebaut werden kann. Es hat eine maximale Abmessung von 5,49 m (18 Fuß) und eine maximale Wandhöhe von 1,07 m (42 Zoll).

VORSICHT

— Bei Warmwasserbecken oder Spa nicht innerhalb einer äußeren Umfriedung oder unterhalb eines Warmwasserbecken oder Spa installieren, außer das Gerät ist dafür gekennzeichnet.

VORSICHT

— IntelliFlo® kann einen Systemdruck von bis zu 30 Metern erzeugen. Der Installateur muss sicherstellen, dass alle Komponenten mindestens einem Druck von 30 Metern standhalten. Ein Überdruck im System kann zu einem katastrophalen Ausfall einer Komponente oder zu Schäden am Anwesen führen.

Allgemeine Installationsinformationen

- **Alle Arbeiten dürfen nur von einem Fachelektriker in Einhaltung aller EU-, Landes- und örtlichen Vorschriften durchgeführt werden.**
- Installieren, um für die Trockenlegung des Fachs für die elektrischen Komponenten zu sorgen.

WICHTIGE SICHERHEITSVORKEHRUNGEN (Fortsetzung)

Allgemeine Installationsinformationen

⚠️ WARNUNG — Unsachgemäß dimensionierte oder installierte Pumpen oder Pumpen, die in anderen Anwendungen benutzt werden, als die, für welche die Pumpe ausgelegt ist, können zu schweren Körperverletzungen oder sogar zum Tod führen. Zu diesen Risiken gehören unter anderem Stromschlag, Brand, Überschwemmung, Verfangen in der Ansaugöffnung, oder schwere Körperverletzungen und Sachschäden durch ein strukturelles Versagen der Pumpe oder einer anderen Komponente des Systems.

⚠️ WARNUNG — Die Pumpe kann eine starke Sogwirkung im Ansaugteil des Rohrleitungssystems erzeugen. Diese hohe Sogwirkung kann für Personen, die den Ansaugöffnungen zu nahe kommen, eine Gefahr darstellen. Durch diesen starken Unterdruck kann jemand schwer verletzt werden, oder sie kann sich darin verfangen und ertrinken. Es ist unbedingt erforderlich, dass die Ansaugrohrleitungen entsprechend den neuesten nationalen und örtlichen Vorschriften für Schwimmbecken installiert werden.



⚠️ WARNUNG — Dieses Produkt kann in einer häuslichen Umgebung Funkinterferenzen erzeugen. In diesem Fall können zusätzliche Dämpfungsmaßnahmen erforderlich sein.

⚠️ WARNUNG — Nicht auf IT-Hauptanlagenetzwerk (isoliertem Boden) installieren (Meerwasseranlagen).

HINWEIS — Falls dies die örtlichen Bauvorschriften erfordern, erfolgt die Speisung der Pumpe über einen Isolationstransformator oder über ein Reststromgerät (RCD), das einen Rest-Betriebsstrom von nicht mehr als 30 mA hat.

HINWEIS — Benutzen Sie nur RCD/GFCI type A oder B.

Allgemeine Warnungen

- Nie das Innere bzw. das Gehäuse des Antriebsmotors öffnen. Es gibt hier eine Kapazitorbank, die eine Ladung von 230 V AC hält, selbst wenn der Strom am Gerät ausgeschaltet ist.
- Die IntelliFlo® VS-Pumpe kann nicht eingetaucht werden.
- Die IntelliFlo® VS-Pumpe hat eine Leistung von 35 m³/Std bzw. 35 Metern Druckhöhe. Beim Installieren ist daher Vorsicht geboten und beim Programmieren muss die Leistungsgrenze der Pumpe so eingestellt werden, dass sie alte oder fragwürdige Ausstattung nicht zu stark belastet.
- Die Vorschriften für die Stromanschlüsse variieren von Staat zu Staat. Installieren Sie die Anlage in Einhaltung aller geltenden örtlichen Vorschriften und Verordnungen.
- Drücken Sie immer den Stoppknopf und klemmen Sie das Kommunikationskabel ab, bevor Sie mit Wartungsarbeiten beginnen.

IntelliFlo® VS Pumpe mit variabler Geschwindigkeit

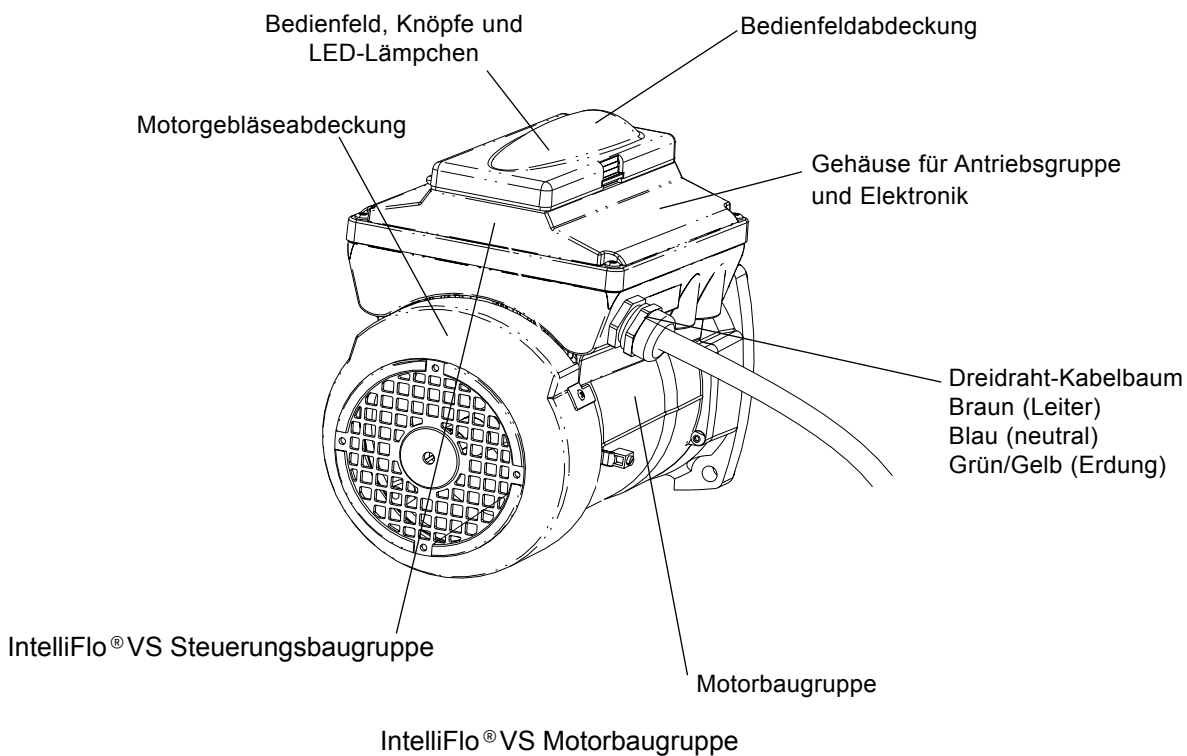
Die Pumpe mit variabler Geschwindigkeit IntelliFlo® VS eignet sich für die Anwendung in Ihrem Schwimmbecken, Spa, Reiniger, Wasserfall oder auch für andere Wasseranlagen. Auf dem Bedienfeld kann man an der IntelliFlo® VS eine von vier voreingestellten Geschwindigkeiten auswählen, oder auch die Pumpengeschwindigkeit auf einen spezifischen Wert einstellen. IntelliFlo® übertrifft in seiner Leistung alle herkömmlichen Pumpen ihrer Klasse. Fortschrittliche Energiesparfunktionen stellen sicher, dass Ihr Filtersystem mit höchster Effizienz arbeitet.

Funktionen

- Passt sich verschiedenen Schwimmbeckengrößen an.
- Verhindert ein Überhitzen.
- Entdeckt und verhindert Schäden durch Unter- bzw. Überspannung.
- Schützt vor Einfrieren.
- Einfach bedienbares Bedienfeld.
- Knöpfe auf dem Bedienfeld zum Steuern der Geschwindigkeit.
- Eingebauter Abscheidertopf mit Spirale
- Ultra-Energiesparender TEFC Motor mit quadratischem Flansch
- Ist zu den meisten Reinigungssystemen, Filtern und Spa-Anlagen mit Massagedüsen kompatibel.
- Zur Antriebsgruppe gehört ein synchroner Motor mit Dauermagnet.
- Strapazierfähige, dauerhafte Konstruktion, die auf Langlebigkeit ausgelegt ist.

IntelliFlo® VS Motorbaugruppe

Der dreiphasige, sechspolige Motor von IntelliFlo® arbeitet mit 3400 U/Min (bei 92 % Leistung) und mit 1000 U/Min (bei 90 %). Die Motorbaugruppe wird durch ein externes Gebläse ständig gekühlt. Doppelte Dichtungen an der Motorwelle und an der Gebläsegruppe dichten den gesamten Motor ab, so dass keine Feuchtigkeit in die Motorbaugruppe eindringen kann. Als zusätzlicher Schutz wurde vor der Dichtung der Hauptwelle ein Schleuderring angebracht, der das Wasser von der Öffnung der Welle im Flansch wegschleudert.



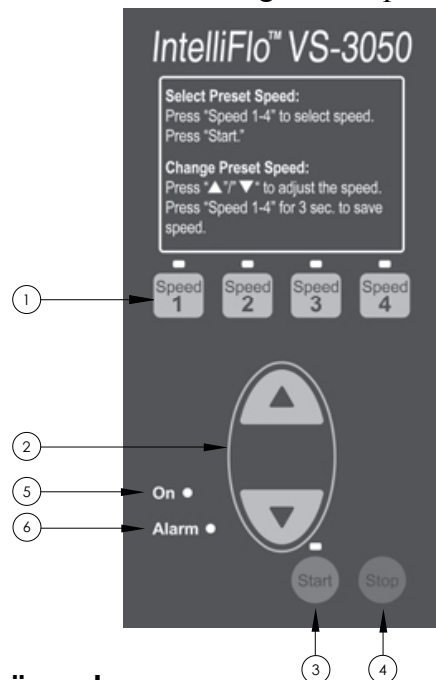
Steuerungsbaugruppe und Bedienfeld von IntelliFlo™ VS

Die Steuerungsbaugruppe von IntelliFlo® besteht aus einem Bedienfeld und der Systemelektronik, die den Motor steuert. Der Steuerungs-Mikroprozessor steuert den Motor, indem er die Stromfrequenz, die dieser erhält und die Spannung ändert, wodurch die Umdrehungsgeschwindigkeit gesteuert wird.

- Synchroner Motor mit Dauermagnet (PMSM)
- Hohe Leistungsfähigkeit (3400 U/Min bei 92 % und 1000 U/Min bei 90 %)
- Bessere Geschwindigkeitssteuerung
- Arbeitet aufgrund seiner hohen Leistungsfähigkeit auch bei niedrigeren Temperaturen.
- Gleiche Technologie, wie sie hin Hybrid-Elektrofahrzeugen zum Einsatz kommt.
- Für die Bedingungen im Freien ausgelegt.
- Vollkommen in einem Gehäuse eingeschlossen und mit Gebläsekühlung.
- Dreiphasiger Motor
- 56-er Quadratflansch
- Sechspolig
- Geringe Geräuschentwicklung

Bedienfeld der IntelliFlo® VS

Das Bedienfeld der IntelliFlo® VS bietet manuelle Steuerungen für die Pumpengeschwindigkeit. Es gibt vier Knöpfe für voreingestellte Geschwindigkeiten, von denen man einen wählen kann. Der Knopf Up bzw. Down wird zum Einstellen der Pumpengeschwindigkeit benutzt. Die gewählte Geschwindigkeit kann gespeichert und einem der Geschwindigkeitsknöpfe zugeordnet werden.



Steuerungen und LED-Lämpchen

- ① **Knopf/LED für Geschwindigkeit 1, Geschwindigkeit 2, Geschwindigkeit 3 und Geschwindigkeit 4:** Drücken Sie einen der Geschwindigkeitsknöpfe zur Auswahl der gewünschten voreingestellten Pumpengeschwindigkeit. Die voreingestellten Pumpengeschwindigkeiten sind: **Geschwindigkeit 1 (750 U/Min), Geschwindigkeit 2 (1500 U/Min), Geschwindigkeit 3 (2350 U/Min) und Geschwindigkeit 4 (3110 U/Min)**. Das LED des Geschwindigkeitsknopfs leuchtet, wenn der gewählte Knopf gedrückt wird. Wenn die Pumpe läuft und der Knopf Up/Down (Pfeiltaste nach oben/unten) zum Einstellen der Geschwindigkeit benutzt wird, erlischt das LED der gewählten Geschwindigkeit.
- ② **Knopf Up/Down:** Drücken Sie bei laufender Pumpe den Knopf Up bzw. Down zum Erhöhen bzw. Verringern der Pumpengeschwindigkeit. Zum Speichern der neuen Pumpengeschwindigkeit drücken Sie einen der vier Geschwindigkeitsknöpfe drei Sekunden lang. Dadurch wird die Geschwindigkeit dem gewählten Knopf zugewiesen (das LED leuchtet). Sie können den Geschwindigkeitsknöpfen vier geänderte Pumpengeschwindigkeiten zuweisen. Wenn die Pumpe eine geänderte Geschwindigkeit benutzt und die Pumpe dann abgeschaltet wird, dann wird die Pumpe beim nächsten Einschalten auf die gleiche Geschwindigkeit hochgefahren.
- ③ **Knopf/LED für Start:** Startet die Pumpe mit einer voreingestellten oder einer angepassten Geschwindigkeit. Dieses LED leuchtet, wenn die Pumpe läuft.
- ④ **Knopf Stopp:** Drücken Sie diesen Knopf zum Stoppen der Pumpe.
- ⑤ **LED An:** Dieses grüne LED leuchtet, wenn der Strom an der IntelliFlo™ VS eingeschaltet ist.
- ⑥ **LED Alarm:** Dieses LED leuchtet, wenn ein Fehler auftritt. Dieses grüne LED blinkt eine bestimmte Anzahl von Malen und zeigt einen spezifischen Fehler an. Die Blinkabfolge des Alarm-LED finden Sie in "LED-Abfolge für Alarm und Warnung" in Abschnitt 5.

Abschnitt 2

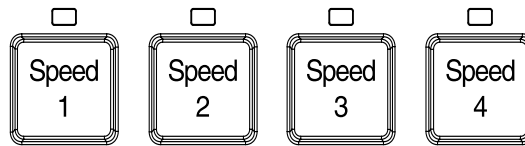
Betrieb der IntelliFlo® VS

In diesem Abschnitt ist die Benutzung des Bedienfelds der Pumpe IntelliFlo®4 beschrieben.

Einstellen der voreingestellten Pumpengeschwindigkeit

IntelliFlo®VS läuft mit einer der voreingestellten Geschwindigkeiten. Benutzen Sie die Geschwindigkeitsknöpfe zur Auswahl der voreingestellten Geschwindigkeiten.

Zum Einstellen der Pumpengeschwindigkeit



1. Vergewissern Sie sich, dass der Strom an der Pumpe eingeschaltet ist und das grüne LED für Spannungsanzeige leuchtet.
3. Drücken Sie den gewünschten Geschwindigkeitsknopf (1-4) weniger als drei Sekunden lang, um die voreingestellte Pumpengeschwindigkeit zu wählen. Wenn der Knopf für die gewählte Geschwindigkeit gedrückt wird, leuchtet das LED auf. Es gibt folgende Knöpfe für die voreingestellte Pumpengeschwindigkeit:

Knopf für Geschwindigkeit 1 - 750 U/Min

Knopf für Geschwindigkeit 2 - 1500 U/Min

Knopf für Geschwindigkeit 3 - 2350 U/Min

Knopf für Geschwindigkeit 4 - 3110 U/Min

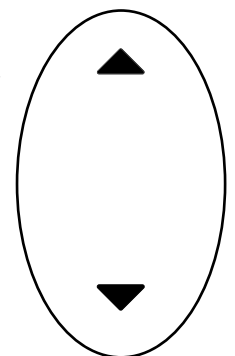
3. Drücken Sie nun gegebenenfalls den Knopf **Start**, um die Pumpe mit der gewählten Geschwindigkeit zu starten.

Einstellen der Pumpengeschwindigkeit

IntelliFlo® kann auf jede beliebige Geschwindigkeit zwischen 400 U/Min und 3450 U/Min eingestellt werden.

Zum Einstellen der Pumpengeschwindigkeit

1. Vergewissern Sie sich, dass der Strom an der Pumpe eingeschaltet ist und das grüne LED für Spannungsanzeige leuchtet.
2. Drücken Sie nun gegebenenfalls den Knopf **Start**, wenn die Pumpe nicht schon läuft.
3. Drücken Sie den Knopf **UP/Down** zum Erhöhen bzw. Verringern der Pumpengeschwindigkeit.
 - **Schritte zu 10 U/Min:** Drücken Sie den Knopf **UP/Down** und lassen Sie ihn rasch wieder los, um die Pumpengeschwindigkeit in Schritten zu 10 U/Min zu erhöhen bzw. zu verringern.
 - **Schritte zu 20 U/Min:** Drücken Sie den Knopf **UP/Down** und halten Sie ihn zum kontinuierlichen Erhöhen bzw. Verringern der Pumpengeschwindigkeit gedrückt.
4. **Speichern einer eingestellten Geschwindigkeit:** Zum Speichern der eben eingestellten Pumpengeschwindigkeit halten Sie den gewünschten Geschwindigkeitsknopf gedrückt, um ihm die derzeitige Geschwindigkeit zuzuweisen. Sie können den Geschwindigkeitsknöpfen (1-4) vier neue Pumpengeschwindigkeiten zuweisen.
5. Drücken Sie den Knopf **Speed**, dem Sie die eingestellte Geschwindigkeit zugewiesen haben.



Knopf Up/Down

Das Starten der Pumpe

Zum Starten der Pumpe

1. Vergewissern Sie sich, dass der Strom an der Pumpe eingeschaltet ist und das grüne LED für Spannungsanzeige leuchtet.
2. Drücken Sie den Knopf **Start** (LED leuchtet), um die Pumpe zu starten.

Hinweis: Wenn die Pumpe eine geänderte Geschwindigkeit benutzt und sie dann abgeschaltet wird, dann wird die Pumpe beim nächsten Einschalten auf die gleiche Geschwindigkeit hochgefahren.

Das Stoppen der Pumpe

Zum Stoppen der Pumpe

- Drücken Sie den Knopf **Stop** zum Stoppen der Pumpe.

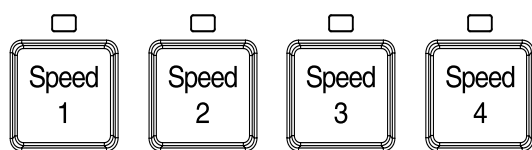
Hinweis: Die Pumpe kann automatisch neu starten, wenn das Kommunikationskabel angeschlossen ist.

Rücksetzen der Pumpe auf die werkseitigen Einstellungen

Die IntelliFlo[®]VS-Pumpe kann auf die werkseitigen Einstellungen zurückgesetzt werden. Alle vorher eingestellten Pumpengeschwindigkeiten, die gespeichert wurden, werden damit gelöscht.

Zum Rücksetzen der Pumpe auf die werkseitigen Einstellungen gehen Sie folgend vor:

1. Vergewissern Sie sich, dass der Strom an der Pumpe eingeschaltet ist und das grüne LED für Spannungsanzeige leuchtet.
2. Drücken Sie den Knopf **Stop** zum Stoppen der Pumpe.
3. Halten Sie alle vier **Geschwindigkeitsknöpfe** drei Sekunden lang gleichzeitig gedrückt. Schalten Sie die Steuerung ab und dann wieder an. Die voreingestellten Einstellungen sind nun wirksam.



Geschwindigkeitsknöpfe auf dem Bedienfeld

Befüllen der Pumpe beim ersten Mal oder nach einem Service

Bevor man die IntelliFlo® VS-Pumpe zum ersten Mal startet, muss sie befüllt werden. Unter dem Befüllen einer Pumpe versteht man das Befüllen der Pumpe und des Saugrohrs mit Wasser. Dadurch wird die Luft aus allen Saugleitungen und aus der Pumpe ausgetrieben. Das Befüllen kann mehrere Minuten dauern, je nach Wassertiefe sowie Durchmesser und Länge des Rohrs. Das Befüllen einer Pumpe geht leichter, wenn Sie die Luft aus der Pumpe und den Rohren entweichen lassen. Das Wasser kann nur eindringen, wenn die Luft entweichen kann. Pumpen halten das eingefüllte Wasser nicht, diese Aufgabe hat das Rohrsystem des Schwimmbeckens.

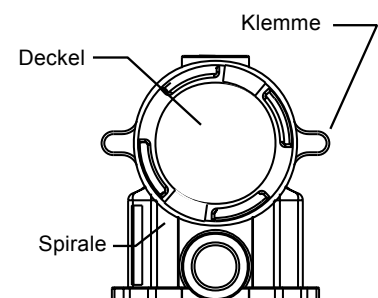
⚠ VORSICHT - Um einen bleibenden Schaden an der IntelliFlo® VS-Pumpe zu vermeiden, sollten Sie vor dem Starten der Pumpe den Abscheider des IntelliFlo®-Gehäuses mit Wasser füllen, damit sich die Pumpe korrekt füllen kann. Wenn im Abscheider kein Wasser ist, wird die Pumpe sich nicht auffüllen.

- Die Pumpe **NIE** trocken laufen lassen! Wenn man die Pumpe trocken laufen lässt, können die Dichtungen beschädigt werden, wodurch es zu Lecks und Überschwemmungen kommen kann!
- Geben Sie keine Chemikalien direkt vor der Ansaugung der Pumpe in das System. Das Zugeben von unverdünnten Chemikalien kann die Pumpe beschädigen und lässt zudem die Garantie verfallen.
- Öffnen Sie vor dem Starten des Systems die Torventile.
- Die Pumpe befüllt sich von selbst, wenn sie in einem gefluteten Ansaugsystem benutzt wird.
- Achten Sie darauf, alle Luft aus dem Filter- und Rohrsystem entweichen zu lassen.
- Die IntelliFlo® VS ist eine Pumpe mit variabler Geschwindigkeit. Die niedrigeren Geschwindigkeiten werden normalerweise zum Filtern und Erwärmen benutzt. Die höheren Geschwindigkeiten können für Spa-Massagedüsen, Wasserspiele und zum Befüllen benutzt werden.

⚠ VORSICHT - Bevor Sie mit dieser Prozedur beginnen, sollten Sie zuerst das Nachstehende lesen.

Vor dem Abnehmen des Pumpendeckels:

1. **Drücken Sie den Stoppknopf**, falls die Pumpe gerade läuft, erst dann können Sie fortfahren.
1. **Klemmen Sie das Kommunikationskabel von der Pumpe ab.**
2. **Schließen Sie die Torventile** an der Ansaugung und entleeren Sie die Rohre.
3. **Lassen Sie von der Pumpe** und vom Rohrleitungssystem den Druck vollständig ab.
4. **Ziehen Sie nie die Klemme fest bzw. lockern Sie sie nie** bei laufender Pumpe.



⚠ WARNUNG! Beim Drucktest an der Pumpe muss zuerst der ganze Druck abgelassen werden, bevor Sie die Klemme entfernen. Blockieren Sie die Pumpenansaugung nicht, während die Pumpe läuft. Wenn die Pumpenansaugung durch einen Körperteil blockiert wird, kann das schwere Verletzungen oder sogar den Tod zur Folge haben. Kleinkinder müssen beim Benutzen des Schwimmbeckens **IMMER** von Erwachsenen beaufsichtigt werden.

⚠ WARNUNG! GEFAHR von BRAND und VERBRENNUNGEN - Der Pumpenmotor kann mit hohen Temperaturen laufen. Verhindern Sie, um die Brandgefahr zu reduzieren, dass sich Blätter, Schmutz, oder Fremdkörper rund um den Pumpenmotor ansammeln. Zur Vermeidung von Verbrennungen beim Hantieren mit dem Motor schalten Sie den Motor ab und lassen Sie ihn 20 Minuten lang abkühlen, bevor Sie mit der Arbeit an ihm beginnen. Die IntelliFlo® VS hat einen eingebauten automatischen Trennschalter zum Schutz des Motors vor Schäden durch Heißlaufen während des Betriebs.

Ansaugenlassen der Pumpe beim ersten Mal oder nach einem Service

(Fortsetzung)

Ansaugenlassen der Pumpe

- Lassen Sie vom Filter, der Pumpe und dem Rohrleitungssystem den ganzen Druck ab. Siehe auch Benutzerhandbuch des Filters.
- Bei einem gefluteten Ansaugsystem (Wasserstand ist höher als die Pumpe) wird sich die IntelliFlo® VS-Pumpe selbst befüllen, wenn die Ansaug- und Abgabeeventile offen sind.
- Wenn das Ansaugsystem der IntelliFlo® VS-Pumpe nicht geflutet ist, entziehen Sie die Klemme und Deckel und füllen Sie die Pumpe mit Wasser.
- Den O-Ring der Deckel nicht schmieren. Der original eingebaute O-Ring hat ein ständiges, innen gelegenes Schmiermittel.

HINWEIS: Wenn Sie den O-Ring durch einen O-Ring ohne eingebaute Schmierung ersetzen, müssen Sie möglicherweise ein Schmiermittel auf Silikonbasis auftragen.

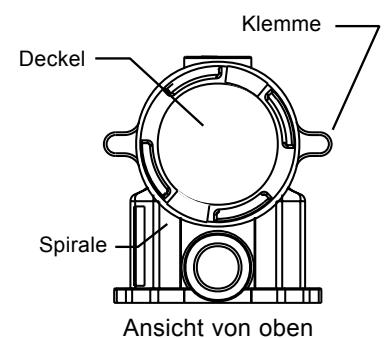
- Den O-Ring säubern und überprüfen und dann wieder an der Deckel installieren.
- Die Klemme wieder auf dem Siphon aufsetzen und im Uhrzeigersinn festschrauben, so dass Sie dicht sitzt.

HINWEIS: Die Klemme der Pumpe nur von Hand festziehen (nicht mit einem Schraubenschlüssel)!

Die Pumpe sollte sich nun befüllen. Die Befüllzeit hängt von der vertikalen Länge der Saughöhe und von der horizontalen Länge des Ansaugrohrs ab. Sollte sich die Pumpe nicht füllen, vergewissern Sie sich, dass alle Ventile offen sind, das Ende des Ansaugrohrs unter Wasser und die Pumpenansaugung unter dem Wasserspiegel ist, und dass es keine Lecks am Ansaugrohr gibt.

Zum Ansaugenlassen der IntelliFlo® VS-Pumpe:

1. Drehen Sie die die Klemme und den Deckel der Pumpe bis zum Anschlag gegen den Uhrzeigersinn und nehmen Sie beides ab.
2. Füllen Sie den Abscheidertopf der Pumpe mit Wasser.
3. Installieren Sie die Klemme und den Deckel der Pumpe wieder auf dem Abscheidertopf. Die Pumpe ist nun zum Ansaugen bereit.
4. Vergewissern Sie sich, dass alle Stromanschlüsse sauber und dicht sind.
5. Öffnen Sie das Entlüftungsventil am Filter und halten Sie vom Filter Abstand.
6. Schalten Sie die IntelliFlo® - Pumpe mit dem Hauptschalter ein. Vergewissern Sie sich, ob das grüne Spannungslämpchen leuchtet.
7. Drücken Sie den Knopf **Speed 1** zum Wählen der Pumpengeschwindigkeit von 750 U/Min.
8. Drücken Sie den Knopf **Start** , um die Pumpe zu starten. Benutzen Sie die Tasten **Up/Down** zum Erhöhen der Geschwindigkeit, wenn das zum Ansaugenlassen der Pumpe notwendig ist.
9. Sobald aus dem Entlüftungsventil Wasser austritt, schließen Sie das Ventil. Das System sollte jetzt Wasser in das Schwimmbecken zurück umwälzen, ohne dass sich am Haar- und Flusentopf oder an den Rücklaufanschlüssen des Schwimmbeckens Luftblasen zeigen.
10. Drücken Sie den Knopf **UP/Down** zum Einstellen der gewünschten Pumpengeschwindigkeit.



Abschnitt 3

Wartung durch den Benutzer

Die nachstehenden Informationen beschreiben die Wartung und Instandhaltung der IntelliFlo®-Pumpe.

Abscheiderkorb der Pumpe

Der Abscheider, der manchmal auch als "Haar- und Flusentopf" bezeichnet wird, befindet sich vor der Pumpe. Innen befindet sich ein Korb, der immer von Blättern und Schmutz sauber gehalten werden muss. Sie können durch den oberen Deckel auf den Korb blicken und überprüfen, ob Blätter und Schmutz darin sind.

Gleich, wie lange der Zeitraum seit der letzten Säuberung des Filters ist, ist es sehr wichtig, mindestens einmal wöchentlich eine Sichtprüfung des Haar- und Flusentopfs vorzunehmen. Ein schmutziger Korb reduziert die Wirkung des Filters und möglicherweise auch des Heizelements.

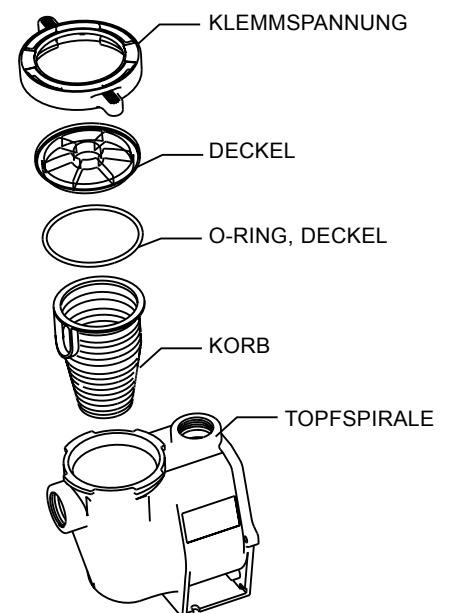
⚠️ WARNUNG — Den Abscheidertopf **NICHT** öffnen, falls die Pumpe befüllt bzw. wenn die Pumpe ohne Wasser im Abscheidertopf gelaufen ist. In Pumpen, die unter solchen Umständen betrieben wurden, kann sich ein Dampfdruck aufbauen und sie können kochend heißes Wasser enthalten. Wenn die Pumpe unter diesen Bedingungen geöffnet wird, kann das zu schweren Körperverletzungen führen. Zum Vermeiden der Möglichkeit einer Körperverletzung sollten Sie unbedingt darauf achten, dass das Ansaug- und das Abgabeventil offen und der Abscheidertopf genug abgekühlt ist, um ihn berühren zu können. Öffnen Sie ihn dann äußerst vorsichtig.

⚠️ VORSICHT — Damit die Pumpe und der Filter nicht beschädigt werden und das System ordnungsgemäß funktionieren kann, müssen der Abscheider und die Abschöpfkörbe regelmäßig gesäubert werden.

Wartung des Abscheiderkorbs der Pumpe

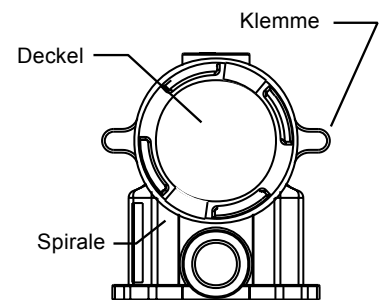
Wenn die IntelliFlo®-Pumpe unter dem Wasserspiegel des Schwimmbeckens installiert ist, schließen Sie die Rücklauf- und die Ansaugleitungen, bevor sie den Haar- und Flusentopf an der Pumpe öffnen.

1. Drücken Sie den Stoppknopf, um die Pumpe anzuhalten und schalten Sie sie dann mit dem Hauptschalter aus.
2. Lassen Sie den Druck vom System ab.
3. Drehen Sie die Klemme und den Deckel der Pumpe bis zum Anschlag gegen den Uhrzeigersinn.
4. Nehmen Sie die Klemme und den Deckel ab.
5. Nehmen Sie den Korb heraus, werfen Sie den Schmutz in den Abfalleimer und spülen Sie den Korb aus. Sollte der Korb einen Riss bekommen haben, tauschen Sie den Korb aus.
6. Setzen Sie den Korb wieder ein und füllen Sie den Pumpentopf und die Spirale bis oben zur Einlauföffnung mit Wasser.
7. Säubern Sie den Deckel, den O-Ring und die Dichtungsfläche des Pumpentopfs. Schmieren Sie den O-Ring mit einem Schmiermittel auf Teflon- oder Silikonbasis.
8. Installieren sie den Deckel wieder, indem Sie die Klemme und den Deckel wieder auf den Topf aufsetzen.



Wartung des Abscheiderkorbs der Pumpe (Fortsetzung)

9. Achten Sie darauf, dass der O-Ring des Deckels richtig eingesetzt ist. Setzen Sie die Klemme und den Deckel ein und drehen Sie diese dann im Uhrzeigersinn, bis die Griffe horizontal stehen wie abgebildet.
10. Schließen Sie das Kommunikationskabel erforderlichenfalls wieder an der Pumpe an.
11. Schalten Sie die IntelliFlo®- Pumpe mit dem Hauptschalter ein. Stellen Sie die Uhr des Schwimmbeckens auf die richtige Zeit.



WARNUNG — DER FILTER ARBEITET UNTER HOHEM DRUCK. BEI DER WARTUNG IRGEND EINES TEILS DES UMWÄLZSYSTEMS (z.B. FESTSTELLRING, PUMPE, FILTER, VENTILE USW.) KANN LUFT IN DAS SYSTEM GELANGEN UND DORT EINEN BESTIMMTEN DRUCK ERREICHEN. LUFT MIT ZU HOHEM DRUCK KANN DEN DECKEL ABSPRENGEN, WAS ZU SCHWEREN VERLETZUNGEN, TOD, ODER SACHSCHÄDEN FÜHREN KANN. FOLGEN SIE DIESEN ANWEISUNGEN, UM DIESE MÖGLICHE GEFAHR ZU VERMEIDEN.



12. Öffnen Sie das manuelle Entlüftungsventil oben am Filter.
13. Halten Sie Abstand vom Filter. Drücken Sie den Startknopf an der Pumpe.
14. Lassen Sie die Luft aus dem Filter entweichen, bis ein stetiger Wasserstrom aus ihm austritt.
15. Schließen Sie das manuelle Entlüftungsventil.

Wartung des Motors

1. **Vor Hitze schützen:**
 - Schirmen Sie den Motor und den Controller vor der Sonne ab.
 - Jedes Gehäuse muss gut belüftet sein, um ein Überhitzen zu verhüten. Der Abdeckung des Motorgebläses und der Kühlfinnen zwischen der Steuerung und dem Motor sollte besondere Beachtung geschenkt werden.
 - Sorgen Sie für eine gute kreuzweise Belüftung.
2. **Vor Schmutz schützen:**
 - Schützen Sie den Motor vor jedem Fremdkörper und vor Wasserspritzern.
 - Lagern (bzw. verschütten) Sie keine Schwimmbeckenchemikalien in der Nähe des Motors.
 - Vermeiden Sie das Fegen bzw. Aufwirbeln von Staub in der Nähe des Motors, während dieser läuft.
 - Wenn ein Motor durch Schmutz beschädigt wurde, verfällt dadurch die Garantie für den Motor.
3. **Vor Feuchtigkeit schützen:**
 - Schützen Sie den Motor vor spritzendem Schwimmbeckenwasser.
 - Vor Witterungseinflüssen schützen.
 - Vor Rasensprenganlagen schützen.
 - Sollte ein Motor nass geworden sein, lassen Sie ihn trocknen, bevor Sie ihn in Betrieb nehmen. Lassen Sie die Pumpe nicht laufen, wenn sie überflutet worden ist.
 - Wenn ein Motor durch Wasser beschädigt wurde, verfällt dadurch die Garantie für den Motor.

Hinweis: Wickeln Sie den Motor und den Controller NICHT in Kunststoff oder andere luftdichte Materialien ein. Der Motor und der Controller können bei einem Sturm, zum Einwintern usw. mit Kunststoffmaterial abgedeckt, aber nicht eingewickelt werden, und das auch nie, wenn er in Betrieb ist oder für den Betrieb bereit steht.

Vergewissern Sie sich, wenn Sie den Motor austauschen müssen, dass die Motorhalterung richtig positioniert ist, damit Sie die Motorgröße, die installiert wird, halten kann.

Einwintern


Zum Schutz der Elektronik der IntelliFlo VS-Pumpe vor Frostschäden schaltet sich die Pumpe selbst ein, um in ihrem Inneren Wärme zu erzeugen, wenn die Lufttemperatur unter 4° C absinkt. **Dieses System ist aber nicht dazu gedacht, die Rohrleitungen des Systems vor dem Einfrieren zu schützen.**

1. Wenn die Lufttemperatur unter 4°C absinkt, kann das Wasser in der Pumpe gefrieren und Schäden verursachen. Frostschäden fallen nicht unter die Garantie.
2. Zum Verhüten von Frostschäden befolgen Sie die nachstehend angeführten Prozeduren.
 - Schalten Sie mit dem Hauptschalter den Strom an der Pumpe aus.
 - Lassen Sie das Wasser aus der Pumpe ablaufen, indem Sie die beiden Ablaufstöpsel am Boden der Spirale entfernen. Bewahren Sie die Stöpsel im Pumpenkorb auf.
 - Decken sie den Motor ab, um ihn vor schwerem Regen, Schnee und Eis zu schützen.
 - Wickeln Sie den Motor nicht in Kunststoff ein. Kunststoff verursacht Kondensation und Rost im Motor.

Hinweis: In Gebieten mit mildem Klima, wo es zeitweise zu Frost kommen kann, lassen Sie Ihr Filtersystem die ganze Nacht über laufen, um ein Einfrieren zu verhüten.

Ansaugenlassen der Pumpe nach einem Service

Bevor das System hochgefahren werden kann, muss das Ansaugenlassen von Pumpe und System manuell durchgeführt werden. Vergewissern Sie sich, dass die Ventile wieder geöffnet wurden, bevor Sie das System wieder in Betrieb nehmen. Zum Ansaugenlassen der IntelliFlo® VS muss der Abscheidertopf mit Wasser gefüllt werden.

 **VORSICHT** — Die Pumpe NIE trocken laufen lassen! Wenn man die Pumpe trocken laufen lässt, wird die mechanische Dichtung beschädigt und die Pumpe beginnt zu lecken. Sollte das passieren, muss die beschädigte Dichtung ausgetauscht werden. Halten Sie IMMER den richtigen Wasserstand in Ihrem Schwimmbecken aufrecht. Ein fortgesetzter Betrieb auf diese Weise (ohne den richtigen Wasserstand), könnte zu einem Druckverlust führen, durch den das Pumpengehäuse, das Gebläserad und die Dichtung beschädigt werden.

Anleitungen zur Vorgangsweise zum Ansaugenlassen der IntelliFlo® VS-Pumpe finden Sie in Abschnitt 2, "Ansaugenlassen der Pumpe beim ersten Mal oder nach einem Service".

Installation und Abmontieren

Die nachstehenden Informationen beschreiben die Installation der IntelliFlo® VS-Pumpe.

Hinweis: Lesen Sie vor dem Installieren dieses Produkts alle Warnhinweise und Anleitungen durch und befolgen Sie sie.

Umfang des IntelliFlo® VS-Kit

- Pumpe IntelliFlo® VS 3050

Installieren der IntelliFlo® VS

Die IntelliFlo® VS-Pumpe sollte nur von einem qualifizierten Wartungstechniker installiert werden.

Lage

1. Installieren Sie die Pumpe so nahe wie möglich am Schwimmbecken oder Spa. Benutzen Sie zum Reduzieren des Reibungsverlusts und zur Verbesserung der Wirksamkeit kurze und gerade Ansaug- und Rücklaufrohrleitungen.
2. Installieren Sie die Anlage mindestens 1,5 m (5 Fuß) von der Innenwand des Schwimmbeckens oder Spa entfernt.
3. Installieren Sie die Pumpe mindestens 0,6 m (2 Fuß) vom Ausgang des Heizelements entfernt.
4. Installieren Sie die Pumpe nicht höher als 2,4 m (8 Fuß) über dem Wasserspiegel.
5. Installieren Sie die Pumpe an einem geschützten, gut belüfteten Ort, der vor übermäßiger Feuchtigkeit (d.h. Regen, Rasensprenganlagen usw.) geschützt ist.
6. Bei Warmwasserbecken oder Spa nicht innerhalb einer äußeren Umfriedung oder unterhalb eines Warmwasserbeckens oder Spa installieren.
7. Die Pumpe mit einem hinteren freien Raum von mindestens 15 cm (6 Zoll) installieren, so dass sich der Motor für Wartungs- und Reparaturarbeiten leicht entfernen lässt.

Rohrleitungen

Für bessere Schwimmbeckenrohrleitungen wird empfohlen, einen größeren Rohrdurchmesser zu benutzen. Beim Installieren der Zu- und Abflussanschlüsse (Zapfenadapter) Gewindedichtungen verwenden.

Keine 90° - Knierohre direkt an den Pumpenzufluss oder Abfluss anschließen. Ein Ventil, Knie, oder T-Stück, das an der Ansaugleitung installiert wird, sollte nicht dichter vor der Pumpe sitzen als das Fünffache (5 x) des Durchmessers der Ansaugleitung. Dadurch füllt sich die Pumpe schneller und hat eine längere Lebensdauer.

Geflutete Ansaugsysteme sollten für die Wartung Torventile an den Ansaug- und Abflussrohren installiert haben. Das Ansaug-Torventil sollte jedoch nicht näher als das Fünffache (5 x) des Durchmessers des Ansaugrohrs sein, wie oben beschrieben.

Sperrventil

Wenn die IntelliFlo® VS parallel zu anderen Pumpen benutzt wird, müssen Sperrventile benutzt werden. IntelliFlo®-Pumpen können nicht in Serie zu anderen Pumpen geschaltet werden.

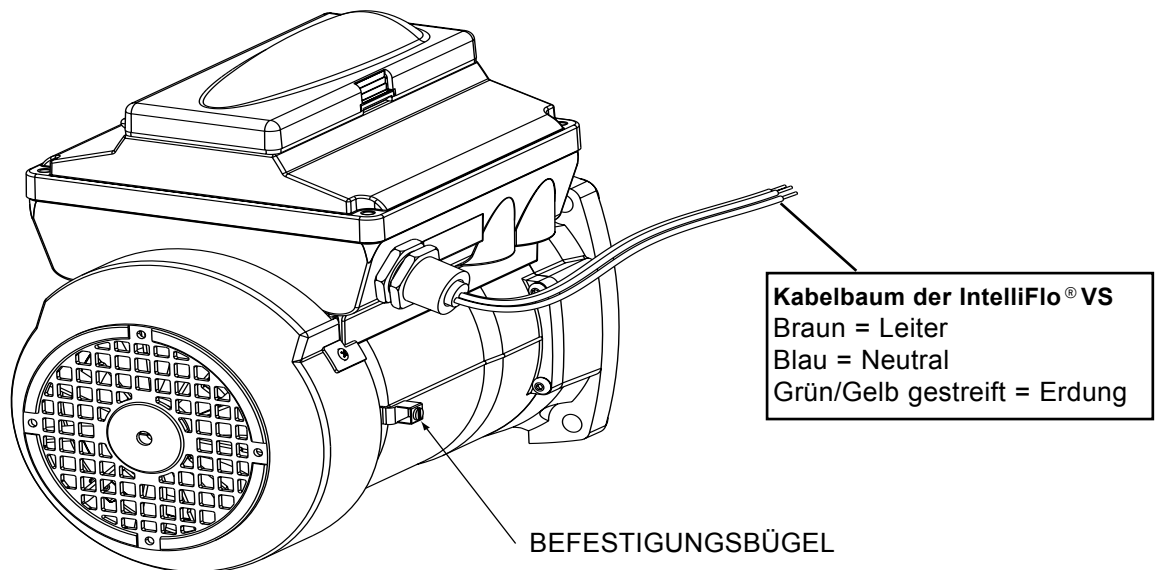
Verkabelung der IntelliFlo® VS

Zum Anschließen der IntelliFlo® an eine Wechselstromquelle:

1. Vergewissern Sie sich vor dem Verkabeln des Motors, dass alle Stromtrennschalter und sonstigen Schalter abgeschaltet sind.
2. Achten Sie darauf, dass die Verkabelungsspannung 230 V AC beträgt.
3. Benutzen Sie für Kabellängen bis 30 m (100 Fuß) AWG Nr. 12 und für Kabellängen von mehr als 30 m (100 Fuß) AWG Nr. 10. Im Zweifelsfall ist es besser, ein dickeres Kabel (größerer Durchmesser) zu benutzen. Mit einem dickeren Kabel läuft der Motor kühler und effizienter.
4. Vergewissern Sie sich, dass alle Stromanschlüsse sauber und dicht sind.
5. Schneiden Sie die Kabel auf die richtige Länge zu, so dass Sie sich, wenn sie angeschlossen sind, nicht überlagern oder einander berühren.
6. Den Motor permanent erden mit dem grün/gelben Erdungsdraht wie unten abgebildet. Benutzen Sie die richtige Kabelgröße und den richtigen Kabeltyp, der von den EU-Vorschriften über Elektrogeräte angegeben ist. Vergewissern Sie sich, dass der Erdungsdraht an die Erdungsanlage angeschlossen ist.
7. Befestigen Sie den Motor fix am Aufbau des Schwimmbeckens entsprechend den nationalen Vorschriften für Elektrogeräte. Benutzen Sie ein solides AWG Nr. 8 oder einen breiteren Kupferleiter. Führen Sie ein Kabel vom äußeren Befestigungsbügel zur Befestigungsvorrichtung am Schwimmbecken, wie unten dargestellt.

HINWEIS: Wenn zum Starten und Stoppen der IntelliFlo™ VS-Pumpe ein Relais oder eine Zeitschaltuhr benutzt wird, sollte an beiden roten Stromdrähten ein zweipoliges Gerät zum Ein- bzw. Ausschalten des Stroms verwendet werden.

Die IntelliFlo® ist dazu ausgelegt, ständig mit ihrer Stromquelle verbunden zu sein. Normalerweise erhält die Pumpe den Strom direkt vom Trennschalter. Es ist kein Kontaktgeber oder Motorstarter erforderlich. IntelliFlo® kann als "Einzelgerät" betrieben werden und wird dabei gestartet bzw. gestoppt, wenn der Strom ein- bzw. ausgeschaltet wird. Beim Hochfahren der Steuerung kehrt diese zum Modus und Laufstatus zurück, den sie beim Abschalten gehabt hatte. Diese Einstellung kann angebracht sein, wenn Sie vorhandene Relais oder Zeitschaltuhren benutzen müssen.



Elektrische Spezifizierungen der IntelliFlo® VS

Stromkreisschutz: Zweipolige Vorrichtung 20 A auf der elektrischen Schalttafel

Speisung: 230 V AC, 50/60 Hz, 3,2 kW

Auseinanderbauen der Pumpe



WARNUNG



— Schalten Sie immer mit dem Hauptschalter den Strom an der Schwimmbeckenpumpe ab und klemmen Sie das Kommunikationskabel ab, bevor Sie Wartungsarbeiten an der Pumpe beginnen. Wird das nicht getan, können der Wartungstechniker, Benutzer des Schwimmbeckens und andere durch Stromschlag schwer verletzt werden oder sogar sterben.

Lesen Sie vor der Arbeit an der Pumpe alle Wartungsanleitungen durch.



WARNUNG

— **Den Abscheidertopf NICHT** öffnen, falls sich die Pumpe nicht füllt bzw. wenn die Pumpe ohne Wasser im Abscheidertopf gelaufen ist. In Pumpen, die unter solchen Umständen betrieben wurden, kann sich ein Dampfdruck aufbauen und sie können kochend heißes Wasser enthalten. Wenn die Pumpe unter diesen Bedingungen geöffnet wird, kann das zu schweren Körperverletzungen führen. Zum Vermeiden der Möglichkeit einer Körperverletzung sollten Sie unbedingt darauf achten, dass das Ansaug- und das Abgabeventil offen und der Abscheidertopf genug abgekühlt ist, um ihn berühren zu können. Öffnen Sie ihn dann äußerst vorsichtig.



VORSICHT

— Achten Sie darauf, die polierten Flächen der Wellendichtung nicht zu zerkratzen oder zu beschädigen. Wenn diese Flächen beschädigt sind, wird die Dichtung lecken.

Alle beweglichen Teile sind in der hinteren Baugruppe der IntelliFlo® angebracht.

Erforderliche Werkzeuge:

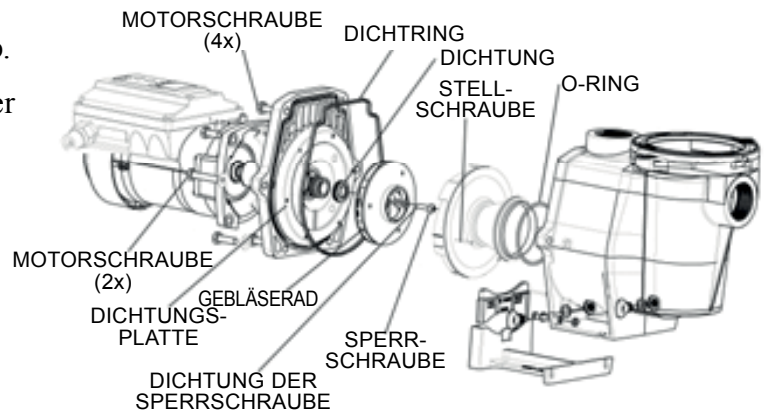
- Ein 3/32 Zoll Inbusschlüssel.
- Ein 1/2 Zoll Schraubenschlüssel.
- Ein 9/16 Zoll Schraubenschlüssel.
- Ein Flachkopfschraubenzieher.

Zum Entfernen und Reparieren der mechanischen Pumpendichtung gehen Sie folgend vor:

1. Schalten Sie die Pumpe mit dem Hauptschalter auf dem Hauptbedienfeld aus.
2. Lassen Sie das Wasser aus der Pumpe ab, indem Sie die Stöpsel entfernen.
3. Schrauben Sie die sechs Schrauben ab, mit denen der Hauptpumpenkörper (Abscheidertopf/Spirale) an der hinteren Baugruppe befestigt ist.
4. Ziehen Sie die beiden Hälften der Pumpe VORSICHTIG auseinander und nehmen Sie die hintere Baugruppe ab.
5. Lockern Sie die beiden Befestigungsschrauben am Verteiler mit einem 3/32 Inbusschlüssel.
6. Halten sie das Gebläserad an seinem Platz fest und entfernen Sie die Sperrschraube mit einem Kreuzschraubenzieher. Die Schraube hat ein Linksgewinde und wird im Uhrzeigersinn gelockert.
7. Benutzen Sie einen Flachsraubenzieher zum Halten der Motorwelle. Die Motorwelle hat am Ende einen Schlitz, der durch die Mitte der Gebläseabdeckung zugänglich ist.

Auseinanderbauen der Pumpe (Fortsetzung)

8. Zum Abschrauben des Gebläserades von der Welle drehen Sie das Gebläserad gegen den Uhrzeigersinn.
9. Nehmen Sie den rotierenden Teil der mechanischen Dichtung vom Gebläserad ab.
10. Schrauben Sie die vier Schrauben von der Dichtungsplatte am Motor mit einem 9/16 Zoll Schraubenschlüssel ab.
11. Legen Sie die Dichtungsplatte mit der Oberseite nach unten auf eine flache Oberfläche und klopfen Sie den Sitz der Kohlefeder aus.
12. Reinigen Sie die Dichtungsplatte, das Dichtungsgehäuse und die Motorwelle.



Wieder Zusammenbauen der Pumpe / Austauschen der Dichtung

1. Beim Installieren der Ersatzdichtung für die Welle benutzen sie ein Silikon-Dichtungsmittel auf dem Metallteil, bevor Sie sie in die Dichtungsplatte wie abgebildet hineinpresse.
2. Vergewissern Sie sich, bevor Sie den drehenden Teil der Dichtung am Gebläserad installieren, dass das Gebläserad sauber ist. Benutzen Sie eine Seife mit geringer Dichte und Wasser, um die Innenseite der Dichtung zu schmieren. Drücken Sie die Dichtung mit den Daumen in das Gebläserad hinein und wischen Sie die Keramik- und die Kohlefläche mit einem sauberen Tuch ab.
3. Montieren Sie die Dichtungsplatte wieder am Motor.
4. Schmieren Sie das Gewinde der Motorwelle und schrauben Sie das Gebläserad an die Motorwelle.
5. Schrauben Sie die Sperrschraube des Gebläserades wieder an (gegen den Uhrzeigersinn festziehen).
6. Montieren Sie den Verteiler wieder auf der Dichtungsplatte. Achten Sie darauf, dass die Kunststoffstifte und die Löcher für die Befestigungsschrauben aufeinander ausgerichtet sind.
7. Schmieren Sie den O-Ring des Verteilers und die Dichtung der Dichtungsplatte vor dem Zusammenbauen.
8. Schmieren Sie die Schraubengewinde, bauen Sie die Motorbaugruppe mit dem Körper von Abscheidertopf und Pumpe mit den zwei (2) durchgehenden Schrauben zusammen, so dass sie richtig ausgerichtet sind. Die durchgehenden Schrauben nicht festziehen, bevor nicht alle sechs (6) Schraubens eingesetzt und mit den Fingern eingeschraubt worden sind.
9. Füllen Sie die Pumpe mit Wasser.
10. Installieren Sie den Pumpendeckel und die Kunststoffklemme wieder.
11. Lassen Sie die Pumpe ansaugen.

Austauschen der Wellendichtung

Die Wellendichtung besteht hauptsächlich aus zwei Teilen, einem rotierenden Glied und einer Keramikdichtung. Die Pumpe braucht wenig oder gar keine Wartung außer der klarerweise erforderlichen Pflege. Es kann jedoch vorkommen, dass eine Wellendichtung beschädigt wird und ersetzt werden muss.

Hinweis: Die polierten und geläppten Flächen der Dichtung könnten beschädigt werden, wenn sie nicht sorgsam behandelt werden.

Entfernen und Installation der Steuerungsgruppe

Zum Entfernen der Steuerung und des Bedienfeldes der IntelliFlo® von der Motorbaugruppe:

1. Vergewissern Sie sich vor dem Entfernen der Steuerung, dass alle Stromtrennschalter und sonstigen Schalter abgeschaltet sind.
2. Öffnen Sie die Abdeckung des Bedienfeldes.
3. Entfernen Sie die Kreuzschlitzschrauben, mit denen die Steuerung an der Motorbaugruppe befestigt ist, wie abgebildet.

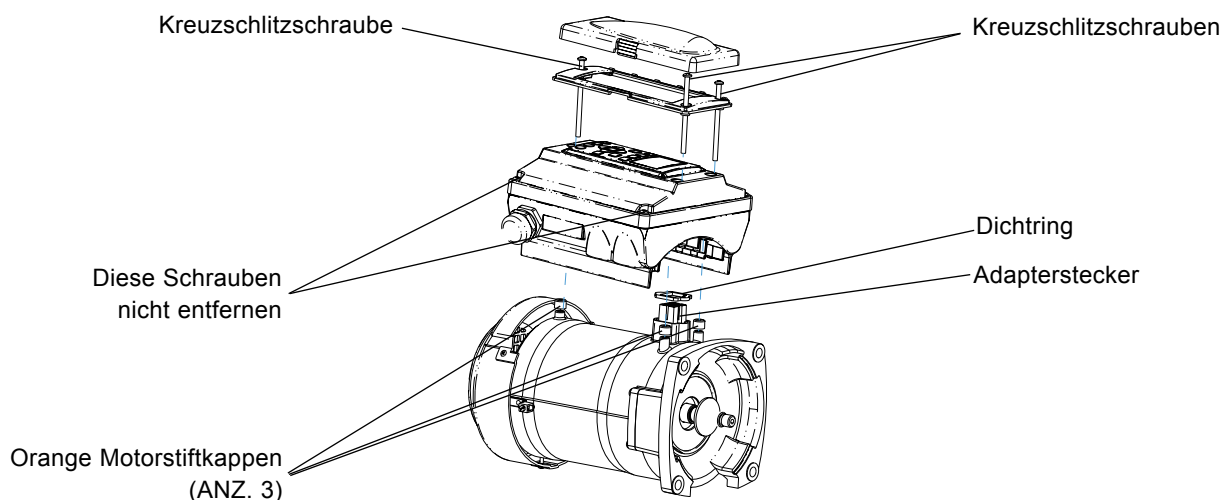
VORSICHT: ZUR VERMEIDUNG VON STROMGEFAHREN DÜRFEN DIE VIER MANIPULATIONSSICHEREN BITS NICHT VON DER MOTORBAUGRUPPE ENTFERNT WERDEN

4. Heben Sie die Steuerungsgruppe an und nehmen Sie sie vom Motoradapter, die oben auf der Motorbaugruppe sitzt, ab.

Hinweis: Beachten Sie, dass der Dichtungsring zwischen Steuerung und Motor nicht entfernt werden darf. Er muss unbedingt vorhanden sein, um die Steuerung und den Motor vor dem Eindringen von Feuchtigkeit zu schützen. Tauschen Sie den Dichtungsring aus, wenn er beschädigt ist. Bauen Sie die Pumpe nicht mit einem beschädigten oder fehlenden Dichtungsring zusammen.

Zum Installieren der IntelliFlo®-Steuerung an der Motorbaugruppe:

1. Vergewissern Sie sich vor dem Installieren der Steuerung, dass alle Stromtrennschalter und sonstigen Schalter abgeschaltet sind.
2. Achten Sie darauf, dass der Dichtungsring zwischen Steuerung und Motor an seinem Platz sitzt. Er ist entscheidend wichtig, um die Steuerung und den Motor vor eindringender Feuchtigkeit zu bewahren. Tauschen Sie den Dichtungsring aus, wenn er beschädigt ist. Bauen Sie die Pumpe nicht mit einem beschädigten oder fehlenden Dichtungsring zusammen.
3. Überprüfen Sie, ob die drei (3) orangen Motorstiftkappen an ihrem Platz sind, bevor Sie die Steuerung auf die Motorbaugruppe aufsetzen.
4. Richten Sie die Steuerungsgruppe auf den Motoradapter aus und setzen Sie die Steuerung auf die Motorbaugruppe auf.
5. Sichern Sie die Steuerungsgruppe mit den drei Kreuzschlitzschrauben und ziehen Sie diese dann fest.



Die abgebildete Ersatzteilliste finden Sie auf unserer Internetseite:

www.pentairpooleurope.com

Abschnitt 5

Fehlerbehebung



VORSICHT: Lesen Sie vor dem Installieren dieses Produkts alle Warnhinweise und Anleitungen durch und befolgen Sie sie.

Warnungen und Alarme

Die Alarme und Warnungen der IntelliFlo® VS werden durch blinkende LED auf dem Bedienfeld angezeigt. Wenn z.B. eine Warnung "Steuerungstemperatur" gegeben wird, blinkt das LED zwei Mal, geht dann aus und blinkt dann wieder zwei Mal. Diese Abfolge wird wiederholt, bis der Zustand behoben ist.

- **Warnungszustand:** Wenn ein Warnungszustand auftritt, läuft die Pumpe zwar weiter, aber mit verringerter Geschwindigkeit. Das grüne LED führt eine Abfolge von Blinksignalen aus, um anzugeben, welcher Alarm bzw. welche Warnung aufgetreten ist.
- **Alarmzustand:** Wenn ein Alarmzustand auftritt, schaltet die Steuerung die Pumpe aus. Das rote LED blinkt ständig, um das Vorhandensein eines Alarms anzuzeigen. Die Alarm-LED werden rückgesetzt, wenn der Zustand behoben ist.

LED-Abfolge bei Alarm und bei Warnung

Anzahl von Blinksignalen des LED	Alarm	Beschreibung	Aktion
2	Warnung Steuerungstemperatur	Zu hohe Steuerungstemperatur	<ol style="list-style-type: none"> 1. Vergewissern Sie sich, dass das Motorgebläse genügend Platz zum Belüften hat. 2. Stoppen Sie den Motor und lassen Sie ihn abkühlen. 3. Lassen Sie den Motor mit einer höheren Geschwindigkeit laufen, um den kühlenden Luftzug zu verstärken.
5	Unbekannter Alarm	Ausfall der Elektronik	<ol style="list-style-type: none"> 1. Schalten Sie den Strom aus und dann wieder ein, um die Pumpe zurückzusetzen. 2. Tauschen Sie die Steuerung aus.
6	Alarm Steuerungstemperatur	Zu hohe Steuerungstemperatur	<ol style="list-style-type: none"> 1. Vergewissern Sie sich, dass das Motorgebläse genügend Platz zum Belüften hat. 2. Lassen Sie den Motor mit einer höheren Geschwindigkeit laufen, um den kühlenden Luftzug zu verstärken.
7	Alarm Stromausfall	Speisungsspannung zu niedrig	Stellen Sie die richtige Speisungsspannung sicher.
8	Alarm Überstrom	Zu hoher Strom an der Steuerung	<ol style="list-style-type: none"> 1. Überprüfen Sie das Flüssigkeits- u. das mechanische System, um die Quelle der Überlastung zu finden. 2. Schalten Sie den Strom am Motor ab und stellen Sie fest, ob sich der Motor frei dreht. 3. Tauschen Sie die Steuerung aus.
9	Alarm Überspannung	Zu hohe Spannung am Steuerungsbus	<ol style="list-style-type: none"> 1. Rasches Umschalten zwischen Geschwindigkeiten kann übermäßige Spannungen am DC-Bus der Steuerung verursachen. 2. Stellen Sie die richtige Speisungsspannung sicher.

Allgemeine Fehlerbehebungsprobleme an der IntelliFlo® VS

Benutzen Sie diese Informationen zur allgemeinen Fehlerbehebung zum Lösen von eventuellen Problemen an Ihrer IntelliFlo® VS-Pumpe.

Hinweis: Schalten Sie, bevor Sie eine Wartung oder Reparatur versuchen, die Hauptstromversorgung an der Pumpe ab.

Problem	Mögliche Ursache	Behebung
Ausfall der Pumpe Siehe LED-Abfolge bei Alarm und bei Warnung.	Die Pumpe saugt nicht an - Luftleck in der Ansaugung. Die Pumpe saugt nicht an - Nicht genug Wasser Abscheider der Pumpe verstopft Abscheiderkorb der Pumpe kaputt.	Überprüfen Sie die Ansaugrohre und die Ventilanschlüsse an allen Ansaug-Torventilen. Schrauben Sie den Deckel auf dem Pumpenabscheider fest und vergewissern Sie sich, dass der Dichtungsring des Deckels an seinem Platz sitzt. Prüfen Sie den Wasserstand, um sicher zu gehen, dass die Abschöpfvorrichtung keine Luft einzieht. Vergewissern Sie sich, dass die Ansaugleitungen, die Pumpe, der Abscheider und die Pumpenspirale mit Wasser gefüllt sind. Säubern Sie den Abscheidertopf der Pumpe. Tauschen Sie den Dichtungsring aus.
Reduzierte Leistung und/oder Druckhöhe. Siehe LED-Abfolge bei Alarm und Warnung	Luftblase oder Lecks in der Ansaugleitung. Verstopftes Gebläserad. Abscheider der Pumpe verstopft	Überprüfen Sie die Ansaugrohre und die Ventilanschlüsse an allen Ansaug-Torventilen. Schalten Sie den Strom an der Pumpe ab. Entfernen Sie die (6) Schrauben, mit denen die Spirale an der Dichtungsplatte befestigt ist. Schieben Sie den Motor und die Dichtungsplatte von der Spirale weg. Säubern Sie das Gebläserad von Schmutz. Wenn sich der Schmutz nicht entfernen lässt, gehen Sie folgend vor: 1. Entfernen Sie den Verteiler und den O-Ring. 2. Entfernen Sie die Schraube mit Linksgewinde und den O-Ring. 3. Nehmen Sie das Gebläserad heraus, reinigen Sie es und installieren Sie es wieder. 4. Montieren Sie die Schraube mit Linksgewinde und den O-Ring wieder an. Montieren Sie den Verteiler und den O-Ring wieder an. Installieren Sie den Motor und die Dichtungsplatte wieder an der Spirale. Schrauben Sie die (6) Schrauben rund um die Dichtungsplatte und die Spirale wieder ein und ziehen Sie sie fest. Reinigen Sie den Ansaugsiphon.

Probleme und Behebung (Fortsetzung)

Problem	Mögliche Ursache	Behebung
Der Trennschalter wird wiederholt ausgelöst. Siehe LED-Abfolge bei Alarm und bei Warnung.	Zu hoher Strom am Motor. GFCI-Fehler.	Der Trennschalter muss die richtige Kapazität haben. Testen Sie den GFCI-Trennschalter entsprechend den Anweisungen des Schalterherstellers. Vergewissern Sie sich, dass keine anderen Lampen bzw. Geräte in diesem Stromkreis sind. Spannung zu hoch oder zu niedrig.
Elektrisches Problem. Siehe LED-Abfolge bei Alarm und bei Warnung.	Möglicherweise ist die Pumpe zu heiß.	Überprüfen Sie die Leitungsspannung. Wenn diese weniger als 90 % oder mehr als 110 % der Sollspannung beträgt, wenden Sie sich an einen Fachelektriker. Die Belüftung erhöhen. Die Umgebungstemperatur verringern. Lockere Kabelanschlüsse festziehen. Der interne Überlastungsschutz des Motors ist offen. Der Motor läuft zu heiß. Den Strom am Motor abschalten. Überprüfen, ob die richtige Spannung anliegt. Prüfen, ob das richtige Gebläserad eingebaut ist bzw. überprüfen Sie die Gummi des Gebläserades.
Mechanische Störungen und Geräuschentwicklung	Der Pumpenmotor läuft, aber macht ein lautes Geräusch. Kavitation.	Wenn die Ansaug- und Abgaberohrleitungen keine richtige Halterung haben, wird die Pumpengruppe belastet. Montieren Sie die Pumpe nicht auf einer Holzplattform! Montieren Sie sie sicher auf einer Betonplattform, dadurch erhalten Sie die ruhigste Leistung. Fremdkörper (Kies, Metall usw.) im Gebläserad der Pumpe. Die Pumpe auseinander bauen, das Gebläserad reinigen und dann für den erneuten Zusammenbau die Wartungsanweisungen der Pumpe befolgen. Die Ansaugbedingungen verbessern. Einen größeren Rohrdurchmesser nehmen. Die Anzahl von Rohranschlüssen verringern. Den Abgabedruck erhöhen.

Klantendienst

HERENTALS, BELGIUM (8.30 uur tot 16.30 uur) CET

Telefoon: + 32 (0) 14 25 99 11

Website: www.pentairpooleurope.com

Conformiteitsverklaring

We verklaren, op eigen verantwoordelijkheid dat het product dat beschreven wordt in dit document en waarop deze informatie betrekking heeft, overeenstemt met de vereisten van de Richtlijn van de Raad 98/37/EEG



- Norm EN60335-1, EN50178, EN61800-5-1
- Norm EN61800-3, EN61000-6-2, EN61000-6-4

Producent: Pentair Water Belgium bvba
Industriepark Wolfstee
Toekomstlaan 30
B-2200 Herentals - Belgium
+32 (0) 14.25.99.11
www.pentairpooleurope.com

BELANGRIJKE VEILIGHEIDSINSTRUCTIES LEES EN VOLG ALLE INSTRUCTIES BEWAAR DEZE INSTRUCTIES

© 2011 Pentair International LLC. Alle rechten voorbehouden

Dit document kan worden gewijzigd zonder kennisgeving

Handelsmerken en disclaimers: IntelliFlo® en Pentair Pool Products™ zijn handelsmerken en/of geregistreerde handelsmerken van Pentair en/of aangesloten bedrijven. Tenzij genoteerd, namen en merken van anderen die in dit document kunnen worden gebruikt, worden niet gebruikt om op een toetreding of een goedkeuring tussen de eigenaars te wijzen van deze namen en merken en van Pentair. Deze namen en merken kunnen de handelsmerken of de gedeponeerde handelsmerken zijn van die partijen of anderen.

Inhoud

Belangrijke veiligheidsvoorzorgen	50
Sectie 1: IntelliFlo® Overzicht	53
IntelliFlo® VS Pomp met variabele snelheid	53
Voorzieningen	54
IntelliFlo® VS Motorblok	54
IntelliFlo® VS Aandrijving en bedieningspaneel	54
IntelliFlo® VS Bedieningspaneel voor de operator	55
Bedieningen en LED's	55
Sectie 2: Bediening van IntelliFlo® VS	56
Instellen van de vooringestelde pompsnelheid	56
Aanpassen van de pompsnelheid	56
Starten van de pomp	57
Stopzetten van de pomp	57
De pomp opnieuw instellen op de standaard fabriekswaarden	57
Vullen van de pomp voor het eerste gebruik of na een onderhoudsbeurt	58
Vullen van de pomp	59
Sectie 3: Onderhoud door de gebruiker	60
Zeefkorf van de pomp	60
Onderhoud van de zeefkorf van de pomp	60
Onderhoud van de motor	61
Winterklaar maken	62
Vullen van de pomp na een onderhoudsbeurt	62
Sectie 4: Installatie en verwijdering	63
Inhoud van de IntelliFlo® VS-kit	63
Installeren van IntelliFlo® VS	63
Plaats	63
Leidingen	63
Regelklep	63
Bedrading van de IntelliFlo® VS	64
IntelliFlo® VS Elektrische specificaties	65
Demontage van de pomp	65
Opnieuw assembleren de pomp/Vervangen van de dichting	66
Vervanging van de asdichting	66
Verwijderen en installeren van de aandrijving	67
Sectie 5: Foutopsporing	68
Waarschuwings- en alarmstatus	68
Led-sequentie bij alarm en waarschuwing	68
Algemene probleemoplossing voor IntelliFlo® VS	69
IntelliFlo® pompafmetingen	140
IntelliFlo® Flow en vermogen vs Flowcurve van de pomp	141

BELANGRIJKE VEILIGHEIDSVORZORGEN



Belangrijke opmerking:

Installateur, opletten: Deze handleiding bevat belangrijke informatie over de installatie, de bediening en het veilige gebruik van dit product. Deze informatie moet worden overhandigd aan de eigenaar en/of operator van dit toestel.



LET OP — Alvorens dit product te installeren, alle bijgevoegde waarschuwingen en instructies lezen en opvolgen. Als deze waarschuwingen en instructies niet worden opgevolgd, kan dit ernstige letsels, overlijden of materiële schade veroorzaken.



LET OP — Hoe insluiting vermijden:



De aanzuiguitlaat die verbonden is met een pomp van een zwembad of een spa kan een sterk vacuüm veroorzaken als hij geblokkeerd raakt. Als slechts één aanzuiguitlaat wordt gebruikt die kleiner is dan 46 cm x 58 cm, kan iedereen die de aanzuiguitlaat blokkeert met zijn/haar lichaam vastraken en tegen de aanzuiguitlaat gedrukt worden. Men kan hierdoor ledematen verliezen en zelfs verdrinken. Als er dus kleine aanzuiguitlaten worden gebruikt

bij deze pomp, moeten - om dit te vermijden - ten minste twee aanzuiguitlaten geïnstalleerd worden in het waterlichaam. Scheid deze aanzuiguitlaten van elkaar zoals beschreven in de International Residential Code (IRC), de International Business Code (IBC), de Consumer Products Safety Council (CPSC) Guidelines for Entrapment Hazards: Making Pools and Spas Safer (Richtlijnen inzake insluitrisico's: zwembaden en spa's veiliger maken) of ANSI/IAF-7 Standard for Suction Entrapment Avoidance in Swimming Pools, Wading Pools, Spas, Hot Tubs and Catch Basins (Norm voor het vermijden van insluiting door aanzuiging in zwembaden, waadbaden, spa's, warmwaterbaden en catchbaden). Als er geen aanzuiguitlaten worden gebruikt, moeten bijkomende maatregelen voor het vermijden van insluiting worden genomen, zoals beschreven in de CPSC Guidelines (CPSC-richtlijnen) of ANSI/IAF-7.

De kappen die worden gebruikt op aanzuiguitlaten moeten goedgekeurd zijn en aangegeven zijn als conform de huidige gepubliceerde editie van ANSI/ASME A112.19.8 Standard covering Suction Fittings for Use in Swimming Pools, Wading Pools, Spas and Hot Tubs (norm inzake aanzuigtoebehoren voor gebruik in zwembaden, waadbaden, spa's en warmwaterbaden). Deze kappen moeten regelmatig geïnspecteerd worden en vervangen worden indien ze gebarsten of gebroken zijn en ouder dan de voorziene levensduur die voorzien was door de fabrikant. De maximaal toelaatbare stroomsnelheid van deze pomp moet minder zijn dan of gelijk aan de goedgekeurde maximale stroomsnelheid die door de fabrikant vermeld werd op de kap van de aanzuiguitlaat. **HET GEBRUIK VAN KAPPEN DIE NIET GOEDGEKEURD ZIJN OF HET GEBRUIK TOELATEN VAN HET ZWEMBAD OF DE SPA ALS DE KAPPEN GEBARSTEN ZIJN, KAN LEIDEN TOT HET VASTRAKEN VAN HAAR, WAT DE DOOD ALS GEVOLG KAN HEBBEN.**



LET OP — Risico op elektrische schok of electrocutie.



Deze zwembadpomp moet geïnstalleerd worden door een erkende of gecertificeerde elektricien of een gekwalificeerd zwembadmonteur volgens alle plaatselijk van kracht zijnde wetten en verordeningen. Een foute installatie houdt een elektrisch risico in dat de dood of een ernstig letsel tot gevolg kan hebben bij de gebruikers van het zwembad of anderen door elektrische schok, en kan ook materiële schade veroorzaken.

Schakel steeds de stroom uit naar de zwembadpomp via de kringuitschakelaar alvorens aan de pomp te werken. Anders kan dit leiden tot de dood of een ernstig letsel bij de monteur, gebruikers van het zwembad of anderen door elektrische schok.

BELANGRIJKE VEILIGHEIDSVOORZORGEN (vervolg)



LET OP — Water heter dan 37,7 °C kan gevaarlijk zijn voor de gezondheid. Lange onderdompeling in heet water kan leiden tot hyperthermie. Hyperthermia treedt op als de interne temperatuur van het lichaam meerder graden boven de normale lichaamstemperatuur van 37 °C stijgt. De symptomen van hyperthermie zijn ondermeer: sufheid, lethargie, duizeligheid, flauwvallen en een verhoogde interne temperatuur van het lichaam.

De gevolgen van hyperthermie zijn ondermeer: 1) Onbewustheid van dreigend gevaar. 2) Onvermogen om hitte te voelen. 3) Onvermogen om de noodzaak te herkennen om het bad te verlaten. 4) Fysiek onvermogen om het bad te verlaten. 5) Schade aan de foetus bij zwangere vrouwen. 6) Bewusteloosheid met verdrinkingsgevaar als gevolg.

LET OP — **Het gebruik van alcohol, drugs, of geneesmiddelen kan het risico op fatale hyperthermie in warmwaterbaden en spa's vergroten.**

LET OP — Om het risico op letsels te verlagen, mogen kinderen dit product niet gebruiken, tenzij ze permanent onder streng toezicht staan.

LET OP — Voor eenheden die bedoeld zijn voor gebruik buiten particuliere woningen, moet een duidelijk aangegeven noodschakelaar worden voorzien als onderdeel van de installatie. De schakelaar moet gemakkelijk bereikbaar zijn voor de gebruikers en moet geïnstalleerd worden op een afstand van ten minste 1,52 m naast en in het zicht van de unit.

LET OP — Bij het instellen van het debiet van het zwembadwater of van de stroomsnelheden moet de operator rekening houden met de lokale wetgeving waaraan het debiet onderworpen is alsook met de verhoudingen voor het toevoegen van ontsmettingsmiddelen.

LET OP — Schakel, alvorens aan het systeem te werken, de hoofdschakelaar UIT en verwijder de verbindingkabel van de pomp.

LET OP — De pomp op ten minste 1,5 m van de binnenwand van het zwembad of de spa installeren.

LET OP — Een geleider nr. 8 AWG of groter moet naar de verbinding slip van de motor lopen.

LET OP — Deze pomp is voor gebruik in permanent geïnstalleerde zwembaden en kan ook worden gebruikt in warmwaterbaden en spa's indien dat zo is aangegeven. Niet gebruiken voor opbergbare zwembaden. Een permanent geïnstalleerd zwembad is in of op de vloer of in een gebouw geïnstalleerd zodat het niet gemakkelijk kan worden gedemonteerd voor opslag. Een zwembad dat kan worden weggeborgen is zodanig opgevat dat het gemakkelijk gedemonteerd en opnieuw gemonteerd kan worden en heeft een maximale afmeting van 5,49 m en een maximale wandhoogte van 1,07 m.

LET OP — Voor warmwaterbaden en spa's de pomp niet installeren binnen een buitenbehuizing of onder de mantel ervan, tenzij zo aangegeven.

LET OP — IntelliFlo™ kan systeemdruk genereren tot 30 meter. Installateurs moeten ervoor zorgen dat alle systeemcomponenten bestand zijn tegen ten minste 30 meter. Overdruk in het systeem kan ernstige storingen aan de componenten of materiële schade veroorzaken.

Algemene installatie-informatie

- **Alle werkzaamheden moeten worden uitgevoerd door een erkend elektricien en moeten beantwoorden aan alle Europese en nationale wetten.**
- Draineerinstallatie voorzien van compartiment voor elektrische componenten.

BELANGRIJKE VEILIGHEIDSVORZORGEN (vervolg)

Algemene installatie-informatie

⚠ LET OP — Pompen die niet correct gedimensioneerd zijn of die geïnstalleerd of gebruikt worden in andere installaties dan deze waarvoor de pomp bedoeld was, kunnen de oorzaak zijn van ernstige letsels of zelfs de dood. Deze risico's omvatten ondermeer, maar zijn niet beperkt tot elektrische schok, brand, overstroming, aanzuiginsluiting, ernstig letsel of materiële schade veroorzaakt door een structurele storing in de pomp of een andere systeemcomponent

⚠ LET OP — De pomp kan hoge aanzuigniveaus produceren aan de aanzuigzijde van het leidingsysteem. Deze hoge aanzuigniveaus kunnen een risico inhouden als een persoon dichtbij de aanzuigopeningen komt. Een persoon kan ernstig gewond raken door dit sterke vacuüm of kan vastraken en verdrinken. Het is absoluut kritiek dat de aanzuigleiding geïnstalleerd wordt in overeenstemming met de meest recente en lokale wetten inzake zwembaden.



⚠ LET OP — In een huishoudelijke omgeving kan dit product radio-interferentie veroorzaken waardoor bijkomende beschermingsmaatregelen vereist kunnen zijn.

⚠ LET OP — Niet installeren op IT (insulated terra) stroomnet (zeevaarttoepassingen)

OPMERKING — Indien vereist door de plaatselijke bouwwetgeving, moet de pomp worden gevoed via een isolatietransformator of via een differentieelschakelaar met een residuele bedrijfsstroom die niet hoger ligt dan 30 mA.

OPMERKING — Gebruik enkel RCD/GFCI type A of B.

Algemene waarschuwingen

- Nooit de binnenzijde van de behuizing van de aandrijfmotor openen. Er is een condensatorbank die een lading van 230 VAC houdt, zelfs als de unit niet onder stroom staat.
- De IntelliFlo® VS-pomp is niet geschikt voor onderdompeling
- De IntelliFlo® VS-pomp heeft een vermogen van 35 m³/uur of 35 meter kop; wees voorzigt bij de installatie en de programmering dat u de potentiële performantie van de pomp niet beperkt door oude of dubieuze uitrustingen te gebruiken
- Wettelijke vereisten inzake elektrische aansluiting verschillen van land tot land. De apparatuur installeren volgens de plaatselijk van kracht zijnde wetten en verordeningen.
- Altijd de Stop knop indrukken en de verbindingenkabel losmaken alvorens onderhoudswerkzaamheden uit te voeren

Sectie 1

Overzicht

IntelliFlo® VS Pomp met variabele snelheid

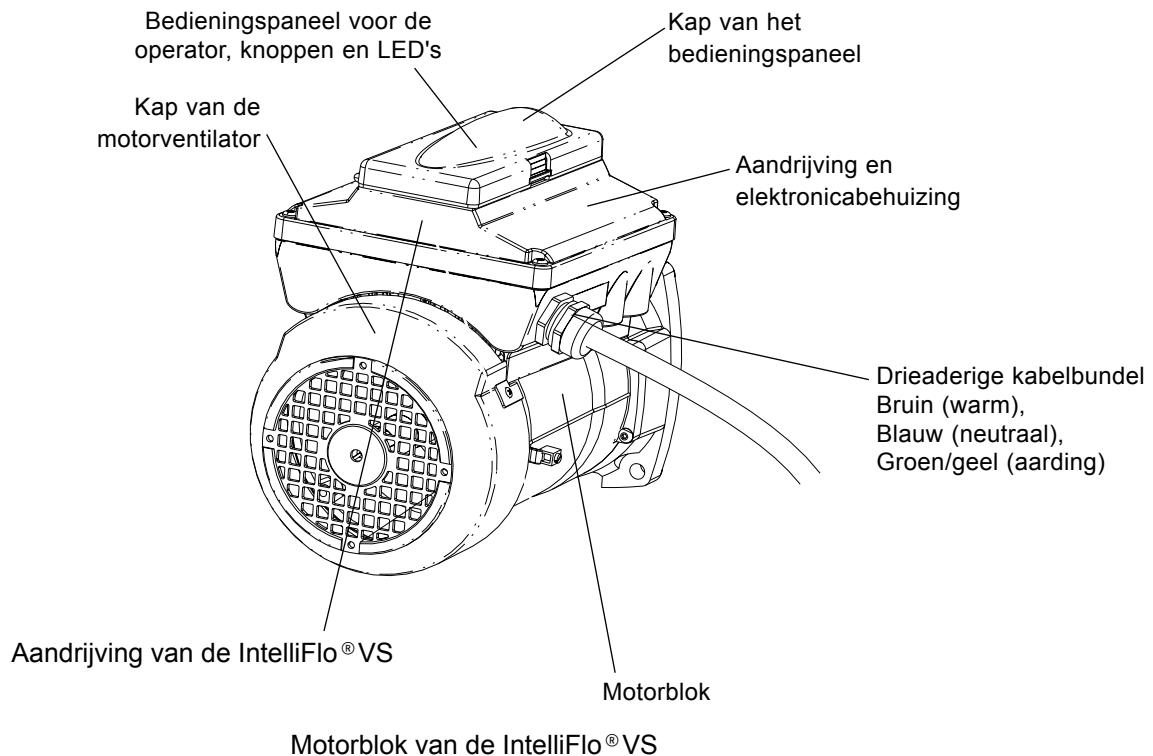
De pomp met variabele snelheid IntelliFlo® VS is geschikt voor alle zwembaden, spa's, reinigingsinstallaties, watervallen en andere watertoepassingen. Door middel van het bedieningspaneel kan de IntelliFlo™ VS één van de vier selecteerbare vooringestelde snelheden gebruiken of kan de pompsnelheid worden aangepast om te draaien op een bepaalde snelheid. IntelliFlo™ presteert beter dan alle andere conventionele pompen in zijn categorie. Geavanceerde energiebesparende functies zorgen ervoor dat uw filtersysteem op topefficiëntie werkt.

Voorzieningen

- Kan worden aangepast aan diverse zwembadmaten
- Voorkomt thermische overbelasting
- Detecteert en voorkomt schade door onder- en overspanning
- Beveiligt tegen bevriezing
- Gebruiksvriendelijk bedieningspaneel
- Operatorknoppen op het bedieningspaneel voor het instellen van de snelheid
- Ingebouwde zeefpot en spiraalhuis
- Ultra energiedoeltreffende TEFC-motor met vierkante flens
- Compatibiliteit met de meeste reinigingssystemen, filters en spa's met jetactie
- Aandrijving voorzien van synchrone motor met permanente magneten
- Robuuste, duurzame constructie ontworpen voor een lange levensduur

Motorblok van de IntelliFlo® VS

De driefasige, zespelige motor draait tegen 3400 RPM (bij een efficiëntie van 92 %) en 1000 RPM (bij 90 %). De motor wordt continu gekoeld door een externe ventilator. Dubbele dichtingen op de motoras en de ventilator sluiten de volledige motor af tegen vocht. Voor extra bescherming helpt een slingerring voor de dichting van de hoofdas bij het wegslingeren van het water van de asopening in de flens.



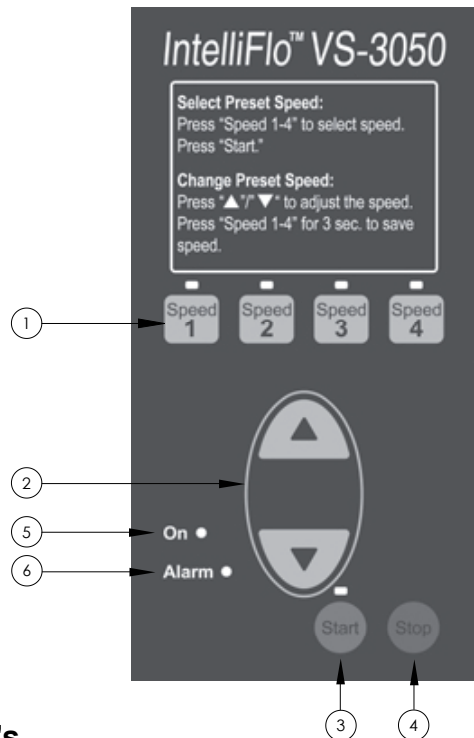
IntelliFlo® VS Aandrijving en bedieningspaneel

De aandrijving van de IntelliFlo® bestaat uit een bedieningspaneel voor de operator en de systeemelektronica die de motor aandrijft. De microprocessor van de aandrijving stuurt de motor door de frequentie te veranderen van de stroom die hij krijgt, en verandert tegelijk de spanning om de rotatiesnelheid te sturen.

- Synchronische motor met permanente magneten (PMSM)
- Grote doeltreffendheid (3400 RPM 92 % en 1000 RPM 90 %)
- Betere snelheidscontrole
- Functioneert bij lage temperaturen dankzij de hoge doeltreffendheid
- Dezelfde technologie als gebruikt in hybride elektrische voertuigen
- Ontwikkeld om bestand te zijn tegen buitenomstandigheden
- Volledig ingesloten ventilatorgekoeld
- Driefasige motor
- 56 vierkante flens
- Zespelig
- Geruisarm

IntelliFlo® VS bedieningspaneel voor de operator

Het bedieningspaneel voor de operator van de IntelliFlo® VS biedt de mogelijkheid om de snelheid van de pomp manueel te sturen. Er zijn vier vooringestelde snelheidsknoppen die geselecteerd kunnen worden. De Up- en Down-knop wordt gebruikt om de pompsnelheid aan te passen. De geselecteerde snelheid kan worden opgeslagen en toegewezen aan één van de vier snelheidsknoppen.



Bedieningen en LED's

- ① **Speed 1, Speed 2, Speed 3, en Speed 4 knop/LED:** Druk op één van de snelheidsknoppen om de gewenste vooringestelde pompsnelheid te selecteren. De vooringestelde pompsnelheden zijn: **Speed 1 (750 RPM), Speed 2 (1500 RPM), Speed 3 (2350 RPM), en Speed 4 (3110 RPM)**. De LED van de snelheidsknop brandt wanneer de geselecteerde knop is ingedrukt. Als de pomp draait en de Up/Down-knop wordt gebruikt om de snelheid aan te passen, zal de LED van de geselecteerde snelheid uitgaan.
- ② **Up/Down-knop:** Terwijl de pomp draait, op de Up- of Down-knop drukken om de pompsnelheid te verhogen of te verlagen. Om de nieuwe pompsnelheid op te slaan, op één van de vier snelheidsknoppen drukken gedurende drie seconden om de snelheid toe te wijzen aan de geselecteerde knop (de LED brandt). Er kunnen vier aangepaste pompsnelheden worden toegewezen aan de snelheidsknoppen. Wanneer de pomp een aangepaste snelheid gebruikt en ze niet onder stroom staat, zal de pomp de volgende keer dat de ze onder stroom wordt gezet, dezelfde snelheid gebruiken.
- ③ **Start-knop/LED:** Start de pomp gebruik makend van een geselecteerde of aangepaste snelheid. Deze LED brandt wanneer de pomp draait.
- ④ **Stop-knop:** Deze knop indrukken om de pomp te stoppen.
- ⑤ **On LED:** Deze groene stroom LED brandt wanneer de IntelliFlo® VS onder stroom staat.
- ⑥ **Alarm LED:** Deze LED brandt wanneer er zich een fout voordoet. Deze groene LED zal een aantal keer flikkeren voor het aangeven van een specifieke fout. Voor de flinkersequentie van de alarm-LED, zie "LED-sequentie bij alarm en waarschuwing", Sectie 5.

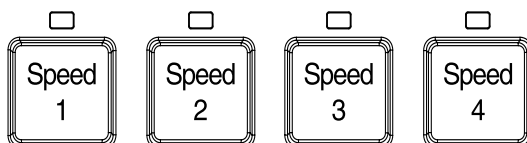
Bediening van IntelliFlo® VS

In deze sectie wordt beschreven hoe het bedieningspaneel van de IntelliFlo® VS-pomp moet worden gebruikt.

Instellen van de vooringestelde pompsnelheid

IntelliFlo® VS werkt op één van de vooringestelde snelheden. Gebruik de snelheidsknoppen om de vooringestelde snelheden te selecteren.

Instellen van de pompsnelheid



1. Zorg ervoor dat de pomp onder stroom staat en dat de groene LED brandt.
2. Druk op de gewenste snelheidsknop (1- 4) gedurende minder dan drie seconden om de vooringestelde pompsnelheid te selecteren. Wanneer de geselecteerde snelheidsknop wordt ingedrukt, brandt de LED. De voorinstelknoppen en snelheden zijn:

Speed 1 knop - 750 RPM

Speed 2 knop - 1500 RPM

Speed 3 knop - 2350 RPM

Speed 4 knop - 3110 RPM

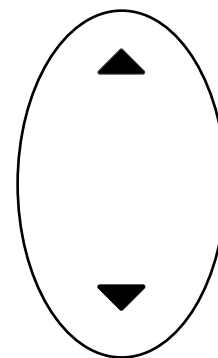
3. Druk op de **Start** knop om de pomp te starten gebruik makend van de geselecteerde snelheid indien nodig.

Aanpassen van de pompsnelheid

IntelliFlo® kan worden aangepast om te draaien tegen een snelheid tussen 400 RPM en 3450 RPM.

Aanpassen van de pompsnelheid

1. Zorg ervoor dat de pomp onder stroom staat en dat de groene LED brandt.
2. Druk op de **Start** knop om de pomp te starten als ze niet draait.
3. Druk op de **UP/Down** knop om de pompsnelheid te verhogen of te verlagen.
 - **Trappen van 10 RPM:** Druk kort op de **Up/Down** knop om de snelheid te verhogen of te verlagen met 10 RPM.
 - **Trappen van 20 RPM:** Houd de **Up/Down** knop ingedrukt om de pompsnelheid continu te verhogen of te verlagen.
4. **Een aangepaste snelheid opslaan:** Om de net aangepaste pompsnelheid op te slaan, de gewenste snelheidsknop ingedrukt houden om de huidige snelheid toe te wijzen. Er kunnen vier nieuwe pompsnelheden worden toegewezen aan de snelheidsknoppen (1-4).
5. Druk op de **Speed** knop die is toegewezen aan de aangepaste snelheid.



Up/Down-knop

Starten van de pomp

Om de pomp te starten

1. Zorg ervoor dat de pomp onder stroom staat en dat de groene LED brandt.
2. Druk op de **Start** knop (LED aan) om de pomp te starten.

Opmerking: Wanneer de pomp een gewijzigde snelheid gebruikt en niet onder stroom staat, zal de pomp de volgende keer dat de ze onder stroom wordt gezet, dezelfde snelheid gebruiken.

Stopzetten van de pomp

Om de pomp stop te zetten

- Druk op de **Stop** knop om de pomp stop te zetten.

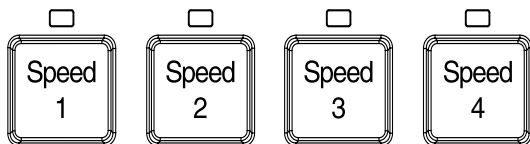
Opmerking: De pomp kan automatisch heropstarten als de verbindingkabel aangesloten is.

De pomp opnieuw instellen op de standaard fabriekswaarden

De IntelliFlo® VS-pomp kan opnieuw worden ingesteld op de standaard fabrieksinstellingen. Alle eerder aangepaste pompsnelheden die werden opgeslagen, zullen worden gewist.

Om de pomp opnieuw in te stellen op de standaard fabriekswaarden:

1. Zorg ervoor dat de pomp onder stroom staat en dat de groene LED brandt.
2. Druk op de **Stop** knop om de pomp stop te zetten.
3. Houd de vier **Speed** knoppen tegelijk ingedrukt gedurende vier seconden. Schakel de stroom van de aandrijving uit en opnieuw aan. De standaardinstellingen zullen nu gelden.



Snelheidsknoppen van het bedieningspaneel

Vullen van de pomp voor het eerste gebruik of na een onderhoudsbeurt

Alvorens de IntelliFlo® VS-pomp de eerste keer gestart wordt, moet ze gevuld worden. Hierbij worden de pomp en de zuigleiding met water gevuld. Hierdoor wordt de lucht verwijderd uit alle zuigleidingen en uit de pomp. Dit kan enkele minuten duren, afhankelijk van de diepte van het water, de doorsnede en de lengte van de leiding. Het is gemakkelijker om een pomp te vullen als u de lucht laat ontsnappen uit de pomp en de leidingen. Het water kan er niet in tenzij de lucht kan ontsnappen. Pompen houden het vloeistofniveau niet op peil, dat is de taak van het leidingsysteem van het zwembad.

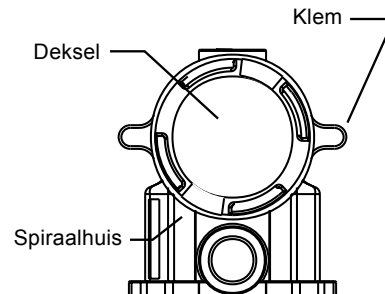
⚠ LET OP - Om permanente schade aan de IntelliFlo® VS-pomp te vermijden, vóór het starten van de pomp de zeef van de IntelliFlo®-behuizing vullen met water zodat de pomp correct voorbereid wordt. Als er geen water in de zeef zit, zal de pomp niet aanzuigen.

- De pomp **NOOIT** droog laten lopen! Het droog laten lopen van de pomp kan de dichtingen beschadigen, wat lekkage en overstroming kan veroorzaken!
- Voeg geen chemische stoffen toe aan het systeem direct voor de pompaanzuiging. Het toevoegen van onverdunde chemische stoffen kan de pomp beschadigen en de waarborg doen vervallen.
- De sluitkleppen openen alvorens het systeem te starten.
- De pomp is zelfaanzuigend als ze gebruikt wordt in een ondergedompeld aanzuigstelsel.
- Zorg ervoor dat alle lucht uit de filter en het leidingsysteem verwijderd is.
- De IntelliFlo® VS-pomp is een pomp met een variabele snelheid. De lagere snelheden worden in principe gebruikt voor filteren en verwarmen. De hogere snelheden kunnen worden gebruikt voor spa jets, watervoorzieningen en de vulprocedure.

⚠ LET OP- Hetgeen volgt eerst lezen alvorens deze procedure te starten

Alvorens het pompdeksel weg te nemen:

1. **De Stop-knop indrukken** als de pomp draait vóór de procedure gestart wordt.
1. **De verbindingkabel van de pomp loskoppelen.**
2. **De sluitkleppen** in de aanzuig- en afvoerleidingen sluiten.
3. **De druk** van de pomp en het leidingsysteem volledig ontspannen.
4. **Nooit de klem aanspannen of losdraaien** terwijl de pomp in werking is.



⚠ LET OP! Als de druk van de pomp wordt getest, de druk volledig ontspannen alvorens de klem te verwijderen. De pompaanzuiging niet blokkeren terwijl de pomp draait. Als een lichaamsdeel de pompaanzuiging blokkeert, kan dit ernstige of levensgevaarlijke letsels veroorzaken. Kleine kinderen die het zwembad gebruiken, moeten **ALTIJD** onder streng toezicht staan van volwassenen.

⚠ LET OP! BRAND- en VERBRANDINGSGEVAAR - De temperatuur van de pompmotor kan hoog oplopen. Om het risico op brand te verlagen, ervoor zorgen dat er zich geen bladeren, vuil of vreemde voorwerpen rond de pompmotor bevinden. Om verbranding te vermijden bij het manipuleren van de motor, de motor uitschakelen en gedurende 20 minuten laten afkoelen alvorens eraan te werken. De IntelliFlo® VS is voorzien van een automatische interne uitschakelaar om de motor te beschermen tegen hiteschade tijdens de werking.

Vullen van de pomp voor het eerste gebruik of na een onderhoudsbeurt

(Vervolg)

Vullen van de pomp

- De druk van de filter, de pomp en het leidingsysteem volledig ontspannen; zie handleiding van de filterfabrikant.
- In een ondergedompeld aanzuigsysteem (waterbron hoger dan de pomp) is de IntelliFlo® pomp zelfaanzuigend als de aanzuig- en afvoerkleppen open zijn.
- Als de IntelliFlo® VS-pomp niet in een ondergedompeld aanzuigsysteem wordt gebruikt, verwijder de klem en het deksel; vul de pomp met water.
- Smeer de o-ring van het deksel niet. De originele o-ring van de uitrusting bevat een permanent intern smeermiddel.

BELANGRIJK: Als u de o-ring vervangt door een o-ring zonder interne smering, kan het nodig zijn dat u een smeermiddel aanbrengt op basis van silicone.

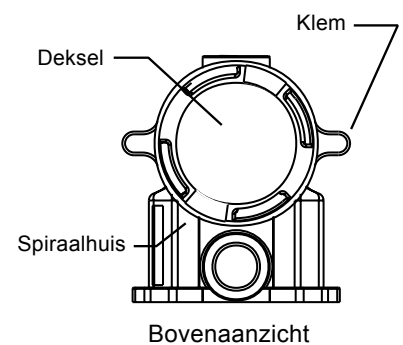
- De o-ring reinigen en inspecteren; herinstalleren op het deksel.
- De klem vervangen; in wijzerzin draaien om klem aan te spannen.

BELANGRIJK: De pompklem enkel aanspannen met de hand (geen sleutels gebruiken)!

De pomp zou nu moeten aanzuigen. De tijd die dit proces in beslag neemt, zal afhangen van de verticale zuighoogte en de horizontale lengte van de aanzuigleiding. Als de pomp niet aanzuigt, zorg er dan voor dat alle kleppen open zijn, het uiteinde van de zuigleiding onder water ligt, de pompaanzuiging zich onder water bevindt, en dat er geen lekken zijn in de zuigleiding.

Om de IntelliFlo® VS-pomp in gebruik te nemen:

1. De pompklem en deksel in tegenwijzerzin draaien tot ze stoppen en dan verwijderen.
2. De pot van de pompzeef met water vullen.
3. De pompklem en het deksel opnieuw op de zeefpot installeren. De pomp is nu klaar om aan te zuigen.
4. Zorg ervoor dat alle elektrische aansluitingen zuiver zijn en vastzitten.
5. De luchtontlastklep op de filter openen en de filter vrijlaten.
6. De IntelliFlo®-pomp aanschakelen via de kringuitschakelaar. Zorg ervoor dat het groene lichtje van de stroom brandt.
7. Druk op de **Speed 1** knop om de pompsnelheid te selecteren van 750 RPM.
8. Druk op de **Start** knop om de pomp te starten. Gebruik de **Up/Down** knop om de snelheid zoveel te verhogen als nodig om de pomp voor te bereiden.
9. Wanneer er water uit de luchtontlastklep komt, de klep sluiten. Het systeem zou nu water moeten circuleren terug naar het zwembad zonder luchtballen in de haar- en pluizenpot of in terugvoeronderdelen van het zwembad.
10. Gebruik de **Up/Down** knop om de werkingssnelheid aan te passen naar wens.



Onderhoud door de gebruiker

De volgende informatie beschrijft hoe de IntelliFlo®-pomp onderhouden moet worden.

Zeefkorf van de pomp

De zeefkorf zit vooraan op de pomp. Binnenin zit een korf die altijd vrij moet worden gehouden van bladeren en vuil. Controleer de korf door het doorzichtige deksel op bladeren en vuil.

Ongeacht de tijd tussen de schoonmaakbeurten van de filter, is het zeer belangrijk om de haar- en pluizenkorf ten minste één keer per week visueel te inspecteren. Een vuile korf zal de doeltreffendheid van de filter en mogelijk van de verwarmers doen afnemen.

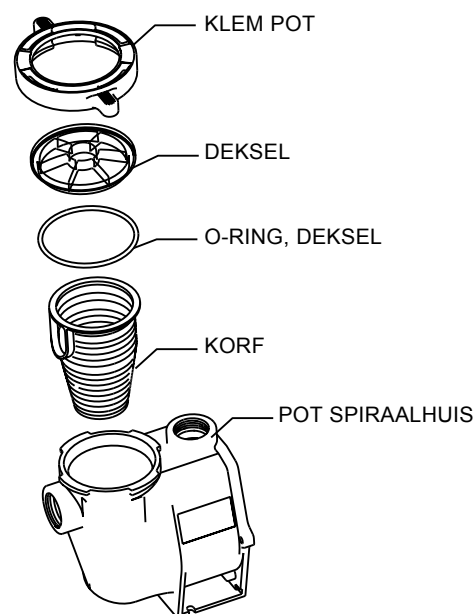
⚠ LET OP — **OPEN NOOIT** de zeefpot als de pomp niet aanzuigt of als de pomp werkte zonder water in de zeefpot. In pompen die werken in deze omstandigheden kan de stoomdruk oplopen en ze kunnen gloeiend heet water bevatten. Het openen van de pomp kan ernstige lichamelijke letsels veroorzaken. Om het risico op een lichamenlijk letsel te vermijden, moet men ervoor zorgen dat de aanzuig- en afvoerklappen open zijn en dat de zeefpot koud aanvoelt, en ze daarna uiterst voorzichtig openen.

⚠ LET OP — Om schade aan de pomp en filter te vermijden en voor een juist gebruik van het systeem, de pompzeef en de afschuimkorven regelmatig schoonmaken.

Onderhoud van de zeefkorf van de pomp

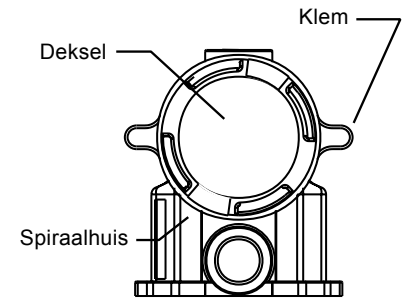
Als de IntelliFlo®-pomp geïnstalleerd is onder het waterpeil van het zwembad, sluit de terugvoer- en zuigleidingen dan af alvorens de haar- en pluizenpot op de pomp te openen.

1. Op de Stop knop drukken om de pomp te stoppen en de pomp uitschakelen via de kringuitschakelaar.
2. De druk in het systeem verlagen.
3. De klem en deksel in tegenwijzerzin draaien tot ze stoppen.
4. De klem en deksel verwijderen.
5. De korf verwijderen, het vuil verwijderen en de korf uitspoelen. Als de korf gebarsten is, deze vervangen.
6. De korf vervangen en de pomppot en het spiraalhuis vullen met water tot aan de inlaatpoort.
7. De kap, de o-ring en het oppervlak van de dichting van de pomppot schoonmaken. De o-ring smeren met Teflon of een siliconensmeermiddel.
8. Het deksel opnieuw installeren door de klem en het deksel op de pot te zetten.



Onderhoud van de zeefkorf van de pomp (Vervolg)

9. Ervoor zorgen dat de o-ring van het deksel correct geplaatst is. De klem en het deksel op hun plaats zetten en dan in de wijzerzin draaien tot de handgrepen horizontaal staan zoals getoond.
10. De verbindingkabel opnieuw aansluiten op de pomp indien nodig.
11. De stroom AAN schakelen via de kringuitschakelaar. De tijdklok van het zwembad opnieuw instellen op de correcte tijd.



LET OP — FILTER WERKT ONDER HOGE DRUK. WANNEER ONDERHOUD WORDT UITGEVOERD AAN EEN ONDERDEEL VAN HET CIRCULATIESYSTEEM (bijv. BORGVEER, POMP, FILTER, KLEPPEN, ENZ.) KAN ER LUCHT IN HET SYSTEEM KOMEN EN KAN HET ONDER DRUK KOMEN TE STAAN. LUCHT DIE ONDER DRUK STAAT KAN ERVOOR ZORGEN DAT HET DEKSEL ERAF VLIEGT, WAT ERNSTIGE LETSELS, OVERLIJDEN OF MATERIËLE SCHADE TOT GEVOLG KAN HEBBEN. OM DIT RISICO TE VERMIJDEN, MOET U DEZE INSTRUCTIES VOLGEN.



12. De manuele luchtontlastklep bovenop de filter openen.
13. De filter vrijlaten. Op de Start knop van de pomp drukken.
14. Lucht uit de filter laten tot er een ononderbroken waterstroom uitkomt.
15. De manuele luchtontlastklep sluiten.

Onderhoud van de motor

1. **Beschermen tegen hitte:**
 - Scherm de motor en de regelaar af tegen de zon.
 - Elke behuizing moet goed geventileerd worden om oververhitting te vermijden. Er moet bijzondere aandacht worden besteed aan de kap van de motorventilator en de koelvinnen tussen de aandrijving en de motor.
 - Overvloedige dwarsventilatie voorzien
2. **Beschermen tegen vuil:**
 - Beschermen tegen vreemde bestanddelen of waterspatten.
 - Geen zwembadchemicaliën naast de motor bewaren (of morsen).
 - Niet vegen en geen stof doen opwarrelen naast de motor terwijl deze in werking is.
 - Als een motor beschadigd raakte door vuil, vervalt zijn waarborg.
3. **Beschermen tegen vocht:**
 - Beschermen tegen opspattend zwembadwater.
 - Beschermen tegen het weer.
 - Beschermen tegen gazonsproeiers.
 - Als een motor nat geworden is - laat hem dan drogen alvorens hem in werking te stellen. Stel een pomp niet in werking als deze ondergelopen is.
 - Als een motor beschadigd raakte door water, vervalt zijn waarborg.

Opmerking: Motor en regelaar NIET inpakken in plastic of een ander luchtdicht materiaal. De motor en de regelaar mogen worden afgedekt, maar ze mogen niet worden ingepakt in plastic, tijdens een storm, voor opslag tijdens de winter, enz., en nooit als ze in werking zijn, of verwacht wordt dat ze in werking gesteld zullen worden.

Bij het vervangen van de motor moet men er zeker van zijn dat de motordrager correct gepositioneerd is om de omvang van de motor die geïnstalleerd wordt, te ondersteunen.

Winterklaar maken

Om de elektronica van de IntelliFlo®VS-pomp te beveiligen tegen schade door vorst, zal de pomp zichzelf aanschakelen om interne warmte te genereren wanneer de luchttemperatuur zakt onder 4 °C.


Deze functie is niet bedoeld om het buizensysteem te beschermen tegen bevriezen.

1. Als de luchttemperatuur onder 4 °C zakt, kan het water in de pomp bevroren en schade veroorzaken. Vorstschade is niet gedekt door de waarborg.
2. Om vorstschade te voorkomen, de onderstaande procedures volgen.
 - De elektrische stroom voor de pomp onderbreken via de kringuitschakelaar.
 - Het water uit de pomp laten lopen door de twee aftappluggen met duimschroef op de bodem van het spiraalhuis te verwijderen. De pluggen opbergen in de pompkorf.
 - De motor afdekken om hem te beschermen tegen hevige regen, sneeuw en ijs.
 - De motor niet inpakken in plastic. Dit zal condensatie veroorzaken en roest aan de binnenzijde van de motor.

Opmerking: In streken met een mild klimaat, moet u uw filterapparatuur, als er kans is op tijdelijke vorst, de hele nacht laten draaien om bevriezing te vermijden.

Vullen van de pomp na een onderhoudsbeurt

Vóór een systeemopstart moeten de pomp en het systeem manueel gevuld worden. De kleppen opnieuw openen alvorens door te gaan met de procedure. Om de IntelliFlo®VS voor te bereiden, moet de zeefpot gevuld worden met water.

 **LET OP —** De pomp NIET droog laten lopen. Als de pomp droogloopt, raakt de mechanische dichting beschadigd en zal de pomp beginnen lekken. Als dit gebeurt, moet de beschadigde dichting vervangen worden. ALTIJD het water in uw zwembad op het peil houden. Een langdurige werking op deze manier zou een drukverlies kunnen veroorzaken, wat kan leiden tot schade aan het pomphuis, de waaier en de dichting.

Voor instructies over de manier waarop de IntelliFlo®VS-pomp voor het eerst gevuld moet worden, zie "Vullen van de pomp voor de eerste keer of na een onderhoudsbeurt", Sectie 2.

Sectie 4

Installatie en verwijdering

De volgende informatie beschrijft hoe de IntelliFlo® VS-pomp geïnstalleerd moet worden.

Opmerking: Alvorens dit product te installeren, alle waarschuwingen en instructies lezen en opvolgen.

Inhoud van de IntelliFlo® VS-kit

- IntelliFlo® VS pomp

Installeren van de IntelliFlo® VS

De IntelliFlo® VS-pomp mag enkel geïnstalleerd worden door een gekwalificeerd persoon.

Plaats

1. Installeer de pomp zo dichtbij het zwembad of de spa als mogelijk. Om wrijvingsverlies te verlagen en de doeltreffendheid te verbeteren, korte en rechtstreekse aanzuig- en buisretours gebruiken.
2. Op ten minste 1,5 m van de binnenwand van het zwembad of de spa installeren.
3. De pomp op ten minste 0,6 m van de uitlaat van de verwarmers installeren.
4. De pomp niet meer dan 2,4 m boven het waterpeil installeren.
5. De pomp op een beschutte en goed geventileerde plaats installeren, beschermd tegen overmatig vocht (regen, sproeiers, enz.).
6. Voor warmwaterbaden en spa's de pomp niet installeren binnen een buitenbehuizing of onder de mantel ervan.
7. De pomp installeren met een vrije ruimte erachter van ten minste 15 cm, zodat de motor gemakkelijk verwijderd kan worden voor onderhoud en herstelling.

Leidingen

Voor een beter leidingnet van een zwembad wordt aanbevolen om buizen te gebruiken met een grotere doorsnede. Bij het installeren van de in- en uitlaatverbindingen (mannelijke adapters), draadkit gebruiken.

Elleboogstukken van 90 ° niet rechtstreeks in de pompin- of uitlaat installeren. Een klap, elleboogstuk of vertakking geïnstalleerd in de aanzuigleiding mag niet dichtbij de voorzijde van de pomp geplaatst worden dan vijf (5) keer de diameter van de buis van de aanzuigleiding. Dit zal helpen om de pomp sneller te vullen en langer te laten meegaan.

In ondergedompelde aanzuigsystemen moeten sluitkleppen geïnstalleerd worden op aanzuig- en afvoerbuizen voor onderhoud, maar de sluitklep op de aanzuigleiding mag echter niet dichtbij geplaatst worden dan vijf (5) keer de diameter van de aanzuigbuis zoals hierboven beschreven.

Regelklep

Regelkleppen moeten worden gebruikt wanneer de IntelliFlo® VS parallel met andere pompen wordt gebruikt. IntelliFlo®-pompen kunnen niet worden gebruikt in serie met andere pompen.

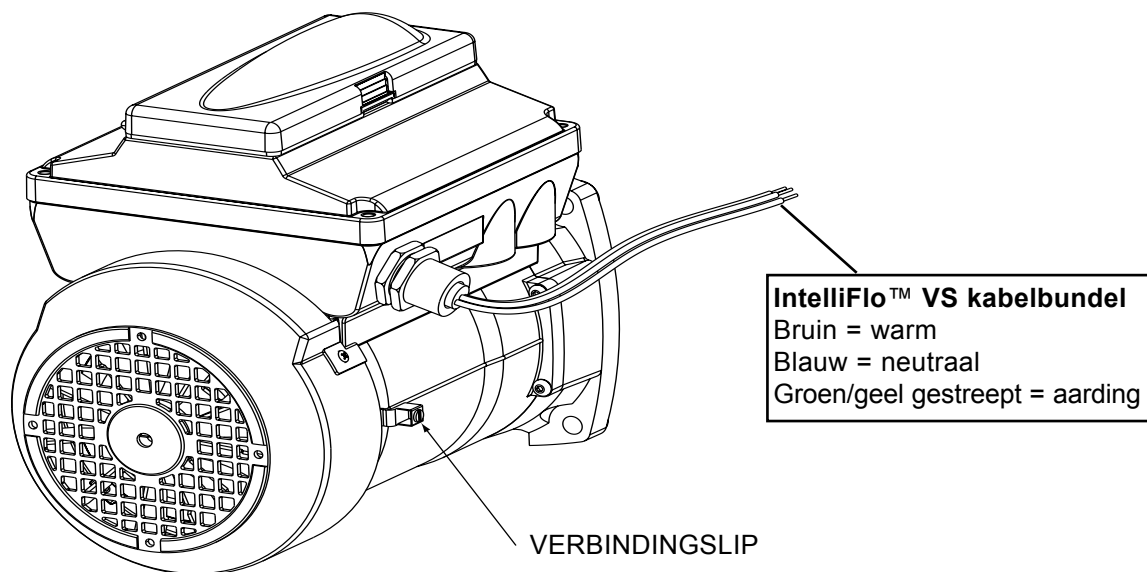
Bedrading van de IntelliFlo® VS

Om de IntelliFlo® aan te sluiten op een wisselstroombron:

1. Zorg ervoor dat alle elektrische uitschakelaars en schakelaars uitgeschakeld zijn alvorens de motor te bedraden.
2. Zorg ervoor dat de spanning van de bedrading 230 VAC bedraagt.
3. Gebruik #12 AWG voor draadlengtes tot 30 m en #10 AWG voor lengtes van meer dan 30 m. In geval van twijfel een draad gebruiken met een grotere diameter. Draad van een zwaarder kaliber zal de motor toelaten koeler en doeltreffender te werken.
4. Zorg ervoor dat alle elektrische aansluitingen zuiver zijn en vastzitten.
5. Knip de draden op de juiste lengte zodat ze elkaar niet overlappen of raken wanneer ze aangesloten zijn.
6. Zorg voor een permanente aarding van de motor gebruik makend van de groen/gele aardingsdraad zoals hieronder getoond. Gebruik de correcte draadmaat en type volgens de elektriciteitswetgevingen in de EU. Zorg ervoor dat de aardingsdraad aangesloten is op een elektrische serviceaarding.
7. Bevestig de motor aan de zwembadstructuur in overeenstemming met de nationale elektriciteitswetgeving. Gebruik een stevige koperen geleider nr. 8 AWG of groter. Leid een draad van de externe verbindingslip naar de verbindingsstructuur van het zwembad zoals hieronder wordt getoond.

OPMERKING: Wanneer de IntelliFlo® VS-pomp gestart en gestopt wordt door de stroom te onderbreken met een relais of timer, zou gebruik gemaakt moeten worden van een tweepolige inrichting om de twee rode voedingskabels van stroom te voorzien of om de stroom te onderbreken.

De IntelliFlo® werd ontwikkeld om permanent aangesloten te zijn op zijn stroombron. In principe krijgt de pomp rechtstreeks stroom van de kringuitschakelaar. Er is geen contactsluiting of motorstarter vereist. IntelliFlo® kan werken in "op zichzelf staande" modus, starten en stoppen als de stroom wordt doorgestuurd of onderbroken. Als de aandrijving onder stroom staat, zal ze terugkeren naar de modus en werkstatus van toen de stroom werd onderbroken. Deze instelling kan nuttig zijn als u bestaande relais of timers moet gebruiken.



IntelliFlo™ VS kabelbundel
 Bruin = warm
 Blauw = neutraal
 Groen/geel gestreept = aarding





VERBINDINGSLIP

IntelliFlo® VS Elektrische specificaties

Kringbeveiliging: Tweepolige inrichting van 20 AMP op het elektriciteitsbord.

Ingang: 230 VAC, 50/60 Hz, 3,2 kW

Demontage van de pomp

 LET OP — 	<p>Schakel steeds de stroom uit naar de zwembadpomp via de kringuitschakelaar en koppel de verbindingenkabel los alvorens aan de pomp te werken. Anders kan dit leiden tot de dood of ernstig letsel bij de monteur, gebruikers van het zwembad of anderen door elektrische schok.</p>
 LET OP —	<p>Lees alle onderhoudsvorschriften alvorens aan de pomp te werken.</p> <p>OPEN NOOIT de zeefpot als de pomp niet aanzuigt of als de pomp werkte zonder water in de zeefpot. In pompen die werken in deze omstandigheden kan de stoomdruk oplopen en ze kunnen gloeiend heet water bevatten. Het openen van de pomp kan ernstige lichamelijke letsels veroorzaken. Om het risico op een lichamenlijk letsel te vermijden, moet men ervoor zorgen dat de aanzuig- en afvoerkleppen open zijn en dat de zeefpot koud aanvoelt, en ze daarna uiterst voorzichtig openen.</p>
 LET OP —	<p>De gepolijste buitenvlakken van de asafdichting niet krassen; de dichting zal lekken als deze buitenvlakken beschadigd zijn.</p>

Alle bewegende delen bevinden zich in de achterste subeenheid van de IntelliFlo™-pomp.

Vereist gereedschap:

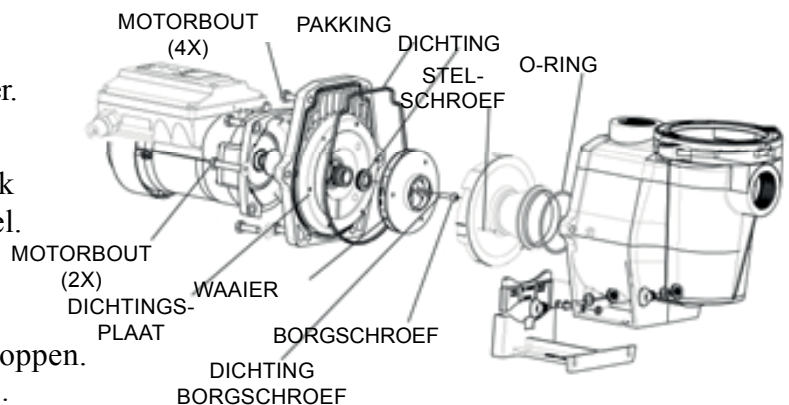
- 3/32 inch Allen steeksleutel.
- ½ inch platte open steeksleutel.
- 9/16 inch platte open steeksleutel.
- Schroevendraaier met een platte kop.

Om de mechanische dichting van de pomp te verwijderen en te herstellen, de volgende procedures uitvoeren:

1. De kringuitschakelaar van de pomp uitzetten op het hoofdpaneel.
2. De pomp laten leeglopen door de aftappluggen te verwijderen.
3. De zes bouten verwijderen waarmee het pomplichaam (zeefpot/spiraalhuis) vastzit op de achterste subeenheid.
4. De twee pomphelften ZACHTJES uit elkaar trekken en de achterste subeenheid verwijderen.
5. Een 3/32 inch Allen steeksleutel gebruiken om de twee bevestigingsschroeven op de diffusor los te draaien.
6. De waaier stevig op zijn plaats houden en de borgschroef van de waaier verwijderen gebruik makend van een schroevendraaier met een Phillips-kop. De schroef heeft een linkse draad en wordt losgedraaid in wijzerzin.
7. Een schroevendraaier met een platte kop gebruiken om de motoras vast te houden. De motoras heeft een gleuf op het einde die bereikbaar is via het midden van de ventilatorkap.

Demontage van de pomp (Vervolg)

8. Om de waaier los te schroeven van de as, de waaier draaien in tegenwijzerzin.
9. Het roterende deel verwijderen van de mechanische afdichting van de waaier.
10. De vier bouten verwijderen van de dichtingsplaat op de motor, gebruik makend van een 9/16 inch steeksleutel.
11. De dichtingsplaat omgekeerd op een vlakke ondergrond zetten en de de koolstof veerstoel er zachtjes uitkloppen.
12. De dichtingsplaat, de dichtingsbehuizing, en de motoras reinigen.



Opnieuw assembleren de pomp/Vervangen van de dichting

1. Bij het installeren van de vervangingsasdichting, siliconenkit gebruiken op het metalen deel alvorens hem in de dichtingsplaat te duwen zoals getoond.
2. Alvorens het roterende deel van de dichting te installeren in de waaier, moet u nagaan of de waaier schoon is. Een zeep met een lichte densiteit en water gebruiken om de binnenzijde van de dichting te smeren. De dichting in de waaier drukken met uw duimen en de keramische en koolstofzijden afvegen met een schone doek.
3. De dichtingsplaat opnieuw op de motor monteren.
4. De draad van de motoras smeren en de waaier op de motoras schroeven.
5. De borgschroeven van de waaier erin draaien (in tegenwijzerzin om aan te spannen).
6. De diffusor opnieuw op de dichtingsplaat monteren. Ervoor zorgen dat de plastic pennen en overeenstemmende inzetstukken van de schroeven op dezelfde lijn liggen.
7. De de o-ring van de diffusor en de pakking van de dichtingsplaat smeren alvorens ze opnieuw te assembleren.
8. De draad van de bouten smeren, de subeenheid van de motor assembleren op het zeefpot-pomplichaam gebruik makend van twee (2) montagebouten voor een correcte uitlijning. De montagebouten niet aanspannen alvorens de zes (6) bouten op hun plaats zitten en met de hand zijn aangespannen.
9. De pomp vullen met water.
10. Het deksel van de pomp en plasticen klem opnieuw installeren.
11. De pomp vullen met water.

Vervanging van de asdichting

De asdichting bestaat hoofdzakelijk uit twee delen, een roterend lid en een keramische dichting. De pomp vereist weinig of geen onderhoud buiten een redelijke zorg, maar het is mogelijk dat de asdichting beschadigd raakt en vervangen moet worden.

Opmerking: De gepolijste en afgeslepen buitenvlakken van de dichting kunnen beschadigd raken als ze niet met zorg worden gemanipuleerd.

Verwijderen en installeren van de aandrijving

Om de aandrijving en het bedieningspaneel van de IntelliFlo® te verwijderen van het motorblok:

1. Ervoor zorgen dat alle elektrische uitschakelaar en schakelaars uitgeschakeld zijn alvorens de aandrijving te verwijderen.
2. Het deksel van het bedieningspaneel openen.
3. De drie schroeven met Phillips-kop verwijderen die de aandrijving op het motorblok houden zoals getoond.

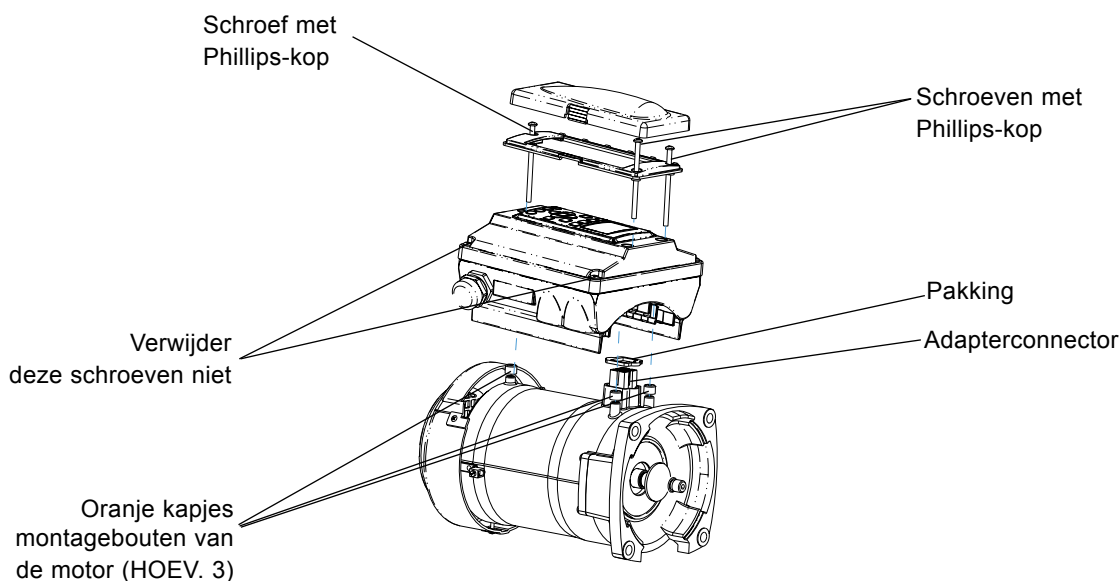
LET OP: OM HET RISICO OP ELEKTRISCHE SCHOKKEN TE VERMIJDEN, DE VIER NIET TE SABOTEREN STIFTEN VAN DE MOTOR NIET VERWIJDEREN

4. De aandrijving optillen en verwijderen van de motoradapter die bovenop het motorblok ligt.

Opmerking: *Let erop dat u de pakking tussen de aandrijving en de motor niet verwijdert; deze is kritiek om het vocht uit de aandrijving en de motor te houden. Vervang de pakking als ze beschadigd is. Assembleer de motor niet opnieuw met een beschadigde of ontbrekende pakking.*

Om de aandrijving van de IntelliFlo® op het motorblok te installeren:

1. Ervoor zorgen dat alle elektrische uitschakelaars en schakelaars uitgeschakeld zijn alvorens de aandrijving te installeren.
2. Ervoor zorgen dat de pakking tussen de aandrijving en de motor op haar plaats zit. Ze is kritiek om het vocht uit de aandrijving en de motor te houden. Vervang de pakking als ze beschadigd is. Assembleer de motor niet opnieuw met een beschadigde of ontbrekende pakking.
3. Controleren of de drie (3) oranje kapjes op de montagebouten van de motor op hun plaats zitten alvorens de aandrijving op het motorblok te plaatsen.
4. De aandrijving uitlijnen met de motoradapter en de aandrijving op het motorblok zetten.
5. De aandrijving vastzetten en aanspannen met drie schroeven met Phillips-kop.



Een geïllustreerde onderdelenlijst kan u terugvinden op:

www.pentairpooleurope.com

Foutopsporing



LET OP: Alvorens dit product te installeren, alle waarschuwingen en instructies lezen en opvolgen.

Waarschuwings- en alarmstatus

De alarmen en waarschuwingen van IntelliFlo® VS worden aangegeven door knipperende LED's op het bedieningspaneel. Als zich bijvoorbeeld een "Aandrijftemperatuur" waarschuwing voordoet, zal de LED twee keer knipperen, dan uit gaan en opnieuw twee keer knipperen. Deze sequentie wordt herhaald tot de status opgeheven is.

- **Waarschuwingstatus:** Als er zich een waarschuwingstatus voordoet zal de pomp blijven draaien, maar op verlaagde snelheid. De groene LED voert een knippersequentie uit om aan te geven welk alarm of welke waarschuwing zich heeft voorgedaan.
- **Alarmstatus:** Als er zich een alarmstatus voordoet, zal de pompaandrijving stoppen. De rode LED zal ononderbroken knipperen om de aanwezigheid van een alarm aan te geven. De alarmLED's zullen teruggesteld worden als de status wordt opgeheven.

Led-sequentie bij alarm en waarschuwing

Aantal keer dat de LED knippert	Alarm	Beschrijving	Actie
2	Waarschuwing aandrijftemperatuur	Te hoge aandrijftemperatuur	<ol style="list-style-type: none"> 1. Controleer of de motorventilator voldoende ruimte heeft voor ventilatie 2. Leg de motor stil en laat hem afkoelen. 3. Laat de motor op hoge snelheid draaien om de stroming van de koellucht te verbeteren.
5	Ongekend alarm	Elektronstoring	<ol style="list-style-type: none"> 1. Onder stroom zetten om pomp terug te stellen. 2. Vervang aandrijving.
6	Alarm aandrijftemperatuur	Te hoge aandrijftemperatuur	<ol style="list-style-type: none"> 1. Controleer of de motorventilator voldoende ruimte heeft voor ventilatie 2. Laat de motor op hoge snelheid draaien om de stroming van de koellucht te verbeteren.
7	Alarm stroom uit	Netspanning laag	Zorg voor de juiste netspanning.
8	Alarm overstroom	Te veel aandrijfstrom	<ol style="list-style-type: none"> 1. Controleer vloeistof-/mechanisch systeem op de bron van de overbelasting. 2. Schakel de stroomtoevoer naar de motor uit en ga na of de motor vrij draait. 3. Vervang aandrijving.
9	Alarm overspanning	Te veel spanning op aandrijfbus	<ol style="list-style-type: none"> 1. Snelle omschakeling tussen snelheden kan een te hoge spanning veroorzaken op de DC-bus van de aandrijving 2. Zorg voor de juiste netspanning.

Algemene probleemoplossing voor IntelliFlo® VS

Gebruik de volgende informatie in verband met foutopsporing om mogelijke problemen met uw IntelliFlo® VS-pomp op te lossen.

Opmerking: Schakel de hoofdstroomtoevoer naar de pomp uit alvorens te trachten aan de pomp te werken of ze te herstellen.

Probleem	Mogelijke oorzaak	Correctieve actie
Pompstoring. Zie Led-sequentie bij alarm en waarschuwing.	<p>Pomp zuigt niet aan - Luchtlek in aanzuiging.</p> <p>Pomp zuigt niet aan - Niet genoeg water.</p> <p>Pompzeef verstopt.</p> <p>Pakking pompzeef defect.</p>	<p>Controleer de aanzuigleiding en klepglans op de sluitkleppen op de aanzuigleiding.</p> <p>Zet het deksel vast op de pompzeefpot en controleer of dekselpakking op haar plaats zit.</p> <p>Controleer het waterpeil om na te gaan of de afschuimer geen lucht aantrekt.</p> <p>Zorg ervoor dat de aanzuigleidingen, pomp, zeef en spiraalhuis vol water zitten.</p> <p>Maak de pompzeefpot schoon.</p> <p>Vervang pakking.</p>
Verlaag vermogen en/of hoofd. Zie Led-sequentie bij alarm en waarschuwing.	<p>Luchtzakken of lekken in aanzuiglijn.</p> <p>Verstopte waaier.</p> <p>Pompzeef verstopt.</p>	<p>Controleer de aanzuigleiding en klepglans op de sluitkleppen op de aanzuigleiding.</p> <p>Schakel de elektrische stroom naar de pomp uit.</p> <p>Verwijder de (6) bouten waarmee het spiraalhuis bevestigd is op de dichtingsplaat.</p> <p>Schuif de motor en de dichtingspaat weg van het spiraalhuis.</p> <p>Verwijder vuil van waaier. Als vuil niet verwijderd kan worden, doorloop dan de volgende stappen.</p> <ol style="list-style-type: none"> 1. Verwijder diffusor en o-ring. 2. Verwijder slipbeveiligingsbout met linkse schroefdraad en o-ring. 3. Verwijder, reinig en herinstalleer waaier. 4. Herinstalleer slipbeveiligingsbout en o-ring. <p>Herinstalleer diffusor en o-ring.</p> <p>Herinstalleer motor en dichtingsplaat in spiraalhuis.</p> <p>Herinstalleer (6) bouten rond dichtingsplaat en spiraalhuis en span ze stevig aan.</p> <p>Reinig aanzuigfilter.</p>

Problemen en correctieve actie (Vervolg)

Probleem	Mogelijke oorzaak	Correctieve actie
Kringuitschakelaar hapert herhaaldelijk. Zie LED-sequentie bij alarm en waarschuwing.	Te veel motorstroom GFCI-storing.	De uitschakelaar moet de juiste capaciteit hebben. Voor GFCI-uitschakelaar, test volgens instructies van GFCI-fabrikant. Zorg ervoor dat er geen andere lichten en toestellen in de kring zijn opgenomen. Spanning te hoog of te laag.
Elektrisch probleem. Zie LED-sequentie bij alarm en waarschuwing.	De pomp kan te heet zijn.	Controleer lijnspanning; indien minder dan 90 % of meer dan 110 % van de toegekende spanning, een erkend elektricien raadplegen. Ventilatie verhogen. De omgevingstemperatuur verlagen. Losse draadverbindingen aanspannen. Interne overbelastingsbeveiliging van de terminal in de motor is open. Motor wordt te heet. Motor uitschakelen. Controleer op juiste spanning. Controleer op juiste waaier of waaierwrijving.
Mechanische problemen en lawaai.	De pompmotor draait, maar met veel lawaai. Cavitatie.	Als aanzuig- en afvoerleiding niet correct gesteund is, zal de pompassemblage hieronder lijden. Monteer de pomp niet op een houten platform! Installeer de pomp stevig op een betonnen platform voor een stille werking. Vreemde bestanddelen (grind, metaal, enz.) in pompwaaier. Demonteer pomp, reinig waaier, volg onderhoudsinstructies om ze opnieuw te assembleren. Verbeter de aanzuiging. Vergroot de buizen. Verlaag het aantal verbindingstukken. Verhoog de afluiddruk.

Service clientèle

HERENTALS, BELGIQUE (8h30 à 16h30) HNEC

Téléphone : + 32 (0) 14 25 99 11

Site Web : www.pentairpooleurope.com

Déclaration de conformité

Nous déclarons, sous notre seule responsabilité, que le produit identifié dans cette déclaration, et concerné par cette déclaration, est en conformité avec les exigences de la Council Directive 98/37/EEG



- Norme EN60335-1, EN50178, EN61800-5-1
- Norme EN61800-3, EN61000-6-2, EN61000-6-4

Fabricant : Pentair Water Belgium bvba
Industriepark Wolfstee
Toekomstlaan 30
B-2200 Herentals - Belgium
+32 (0) 14.25.99.11
www.pentairpooleurope.com

INSTRUCTIONS IMPORTANTES DE SÉCURITÉ LISEZ ET RESPECTEZ TOUTES LES INSTRUCTIONS CONSERVEZ CES INSTRUCTIONS

© 2011 Pentair International LLC. Tous droits réservés

Ce document est sujet à modification sans préavis

Marques et clauses d'exclusion de responsabilité : IntelliFlo® et Pentair Pool Products™ sont des marques déposées et/ou enregistrées de Pentair et/ou ses filiales. Sauf avis contraire, les noms et les marques d'autres parties qui apparaissent dans ce document ne sont pas utilisés pour indiquer une affiliation ou une approbation entre les propriétaires de ces noms et marques de Pentair. Ces noms peuvent être les marques déposées ou enregistrées de ces parties ou d'autres.

Sommaire

Précautions importantes de sécurité	73
Section 1 : Présentation de l'IntelliFlo®	76
Pompe à vitesse variable IntelliFlo® VS	76
Caractéristiques	77
Ensemble moteur de l'IntelliFlo® VS	77
Système de commande et panneau de commande de l'IntelliFlo® VS	77
Panneau de commande opérateur de l'IntelliFlo® VS	78
Commandes et voyants	78
Section 2 : Utilisation de l'IntelliFlo® VS	79
Réglage de vitesse pré-réglée de la pompe	79
Réglage de la vitesse de la pompe	79
Démarrage de la pompe	80
Arrêt de la pompe	80
Réinitialisation de la pompe aux réglages usine	80
Amorçage de la pompe pour la première mise en service ou après entretien	81
Amorçage de la pompe	82
Section 3 : Maintenance utilisateur	83
Panier du filtre à cheveux et à charpie de la pompe	83
Entretien du panier du filtre à cheveux et à charpie de la pompe	83
Entretien du moteur	84
Hivernage	85
Amorçage de la pompe après entretien	85
Section 4 : Installation et démontage	86
Contenu du kit IntelliFlo® VS	86
Installation de l'IntelliFlo® VS	86
Emplacement	86
Conduits	86
Clapet anti-retour	86
Câblage de l'IntelliFlo® VS	87
Spécifications électrique de l'IntelliFlo® VS	88
Démontage de la pompe	88
Remontage de la pompe/remplacement des joints	89
Remplacement du joint d'arbre	89
Démontage et installation de l'ensemble du système de commande	90
Section 5 : Dépannage	91
Conditions d'avertissement et d'alarme	92
Séquence des voyants d'alarme et d'avertissement	92
Dépannage des problèmes généraux de l'IntelliFlo® VS	93
Dimensions de la pompe IntelliFlo®	140
Courbe de débit et puissance en fonction du refoulement de l'IntelliFlo®	141

PRÉCAUTIONS IMPORTANTES DE SÉCURITÉ



Remarque importante :

À l'attention de l'installateur : ce manuel contient des informations importantes concernant l'installation, le fonctionnement et l'utilisation sûre de ce produit. Ces informations doivent être données au propriétaire et/ou à l'utilisateur de cet équipement.



AVERTISSEMENT — Avant d'installer ce produit, lisez et respectez tous les avertissements et toutes les instructions qui sont donnés. Le non-respect des avertissements de sécurité et des instructions peut entraîner des blessures graves, la mort ou des dégâts matériels.



AVERTISSEMENT — Avis concernant le risque d'immobilisation :



La sortie d'aspiration raccordée à une pompe de piscine ou de spa peut être la source d'une très forte aspiration si elle est bouchée. Pour cette raison, si on n'utilise qu'une seule sortie d'aspiration de dimensions inférieures à 46 cm x 58 cm, toute personne bloquant la sortie d'aspiration avec son corps peut être piégée et immobilisée contre celle-ci. Il peut en résulter une éviscération ou une noyade. Pour cette raison, si l'on utilise des sorties

d'aspiration de petites dimensions avec cette pompe, pour éviter cette immobilisation et une mort possible, il faut installer au moins deux sorties d'aspiration dans la pièce d'eau. Séparez ces sorties d'aspiration de la façon décrite dans l'International Residential Code (IRC - Code résidentiel international), l'International Business Code (IBC - Code commercial international), les Guidelines for Entrapment Hazards (directives concernant les risque de piégeage) du Consumer Products Safety Council (CPSC - Conseil de sécurité des produits de consommation) : Making Pools and Spas Safer (Rendre les piscines et spas plus sûrs) ou la norme ANSI/IAF-7 pour éviter d'être piégé par l'aspiration dans les piscines, les pataugeoires, les spas, les jacuzzis et les bassins collecteurs. Si on n'utilise pas de sortie d'aspiration, il faut recourir aux mesures supplémentaires destinées à éviter une immobilisation, telles que celles décrites dans les directives CPSC ou dans la norme ANSI/IAF-7.

Le cache utilisé sur les sorties d'aspiration doit être approuvé et certifié conforme à l'édition en vigueur de la norme ANSI/ASME A112.19.8 reprenant les accessoires d'aspiration pour utilisation en piscines, pataugeoires, spas et jacuzzis. Ces caches doivent être inspectés régulièrement et remplacés s'ils sont fêlés, cassés, ou s'ils ont dépassé la durée de vie indiquée dessus par le fabricant. Le débit maximum possible de cette pompe doit être inférieur ou égal à au débit maximum approuvé indiqué sur le cache de la sortie d'aspiration par le fabricant. L'UTILISATION DE CACHES NON APPROUVÉS OU PERMETTANT L'UTILISATION DE LA PISCINE OU DU SPA LORSQU'ILS SONT CASSÉS OU FÊLÉS PEUT PROVOQUER UN ENCHEVÊTREMENT DES CHEVEUX POUVANT ENTRAÎNER LA MORT.



AVERTISSEMENT — Risque de décharge électrique ou d'électrocution.



Cette pompe pour piscine doit être installée par un électricien qualifié ou certifié ou par un technicien en piscine qualifié conformément à tous les codes locaux et toutes les ordonnances locales applicables. Une installation incorrecte peut être à l'origine de risques électriques pouvant entraîner la mort ou des blessures graves des utilisateurs de la piscine, des installateurs ou d'autres personnes suite à une décharge électrique, et peut également provoquer de dégâts matériels.

Coupez toujours l'alimentation de la pompe pour piscine au disjoncteur avant l'entretien de la pompe. Le non-respect de cette consigne peut entraîner la mort ou des blessures graves par électrocution du technicien d'entretien, des utilisateurs de la piscine ou d'autres personnes.

PRÉCAUTIONS IMPORTANTES DE SÉCURITÉ (suite)



⚠ AVERTISSEMENT — Une température d'eau de plus de 37,8 °C peut être dangereuse pour votre santé. Une immersion prolongée dans l'eau chaude peut provoquer une hyperthermie. Une hyperthermie se produit lorsque la température interne du corps atteint un niveau supérieur de plusieurs degrés à la température normale du corps de 37 °C. Les symptômes d'hyperthermie comprennent : la somnolence, la léthargie, un étourdissement, un évanouissement et une augmentation de la température interne du corps.

Les effets de l'hyperthermie incluent : 1) une non-perception d'un danger imminent ; 2) une impossibilité de percevoir la chaleur ; 3) une impossibilité de reconnaître le besoin de quitter le spa ; 4) une impossibilité physique de quitter le spa ; 5) un dommage fœtal chez les femmes enceintes ; 6) une perte de conscience entraînant un risque de noyade.

⚠ AVERTISSEMENT — **L'utilisation d'alcool, de drogues ou de médicaments peut accroître de manière importante le risque d'hyperthermie fatale dans les jacuzzis et les spas.**

⚠ AVERTISSEMENT — Pour réduire le risque de blessures, ne laissez pas les enfants utiliser ce produit s'ils ne sont pas étroitement surveillés à tous moments.

⚠ AVERTISSEMENT — Pour des unités prévues pour une utilisation autre que résidentielle monofamiliale, l'installation doit comporter un interrupteur d'arrêt d'urgence clairement identifié. Cet interrupteur sera facilement accessible aux occupants et sera installé à moins de 1,52 m de l'unité, adjacent et à portée de vue de celle-ci.

⚠ AVERTISSEMENT — Lorsqu'il établit le taux de renouvellement de l'eau de piscine ou les débits, l'opérateur doit tenir compte des taux de renouvellement ainsi que des taux d'apport de désinfectant en vigueur dans les codes locaux.

⚠ AVERTISSEMENT — Avant l'entretien du système, coupez l'alimentation principale et retirez le câble de communication de la pompe.

⚠ ATTENTION — Installez la pompe à une distance minimale de 1,5 m par rapport à la paroi intérieure de la piscine ou du spa.

⚠ ATTENTION — Pour le câblage de la cosse de raccordement du moteur, il faut utiliser un câble de calibre 8 AWG ou plus grand.

⚠ ATTENTION — Cette pompe est réservée pour une utilisation sur des piscines installées à demeure et peut également être utilisée avec des jacuzzis et des spas, s'ils sont identifiés comme tels. Ne pas utiliser avec des piscines temporaires. Une piscine à demeure est construite dans le sol ou sur le sol, ou dans un bâtiment et ne peut pas être facilement démontée pour le rangement. Une piscine temporaire est construite de façon à permettre un démontage aisé pour son rangement et un remontage avec ses propriétés originales et possède une dimension maximale de 5,49 m et une hauteur maximale de paroi de 1,07 m.

⚠ ATTENTION — Pour les jacuzzis et les spas : sauf indication spécifique, n'effectuez pas l'installation dans une enceinte extérieure ou en dessous de la jupe d'un jacuzzi ou d'un spa.

⚠ ATTENTION — La pompe IntelliFlo® peut générer des pressions allant jusqu'à 30 mètres. L'installateur doit s'assurer que tous les composants du système présentent des propriétés permettant de supporter au moins 30 mètres. Une suppression du système peut entraîner une défaillance catastrophique du composant ou des dégâts matériels.

Informations générales concernant l'installation

- Toutes les opérations doivent être exécutées par un électricien diplômé, et doivent être conformes à tous les règlements européens et locaux.
- Installez la pompe pour permettre un drainage du compartiment à composants électriques.

PRÉCAUTIONS IMPORTANTES DE SÉCURITÉ (suite)

Informations générales concernant l'installation

⚠ AVERTISSEMENT — Des pompes mal dimensionnées ou installées dans des applications autres que celles prévues peuvent entraîner des blessures graves ou la mort. Ces risques peuvent inclure, mais sans caractère limitatif, une décharge électrique, un incendie, une inondation, une immobilisation dans le système d'aspiration ou des blessures graves ou des dégâts matériels liés à une défaillance structurale de la pompe ou d'un autre composant du système

⚠ AVERTISSEMENT — La pompe peut produire une aspiration sur le côté d'aspiration du système de canalisations. Cette aspiration élevée peut présenter un risque si une personne vient très près des orifices d'aspiration. La personne peut être grièvement blessée par cette aspiration élevée, ou peut être immobilisée et peut se noyer. Il est impératif que les canalisations d'aspiration soient installées conformément aux derniers codes nationaux et locaux en matière de piscines.



⚠ AVERTISSEMENT — Dans un environnement domestique, ce produit peut provoquer des interférences radio pouvant nécessiter des mesures supplémentaires d'atténuation.

⚠ AVERTISSEMENT — Ne pas installer sur un réseau secteur IT (isolé de la terre) (applications marine)

REMARQUE — Si les codes locaux de construction l'exigent, la pompe doit être pourvue d'un transformateur d'isolation ou alimentée via un différentiel à courant résiduel (DCR) ayant une intensité d'exploitation résiduelle ne dépassant pas 30 mA.

REMARQUE — Utilisez exclusivement un DCR/DDFT approprié type A ou B.

Avertissements généraux

- Ne jamais ouvrir l'intérieur ou l'enceinte du moteur d'entraînement. Il y a une pile de condensateurs présentant une charge de 230 V CA même lorsque l'unité n'est pas alimentée.
- La pompe IntelliFlo® VS n'est pas submersible
- La pompe IntelliFlo® VS a une puissance de 35 m³/hr ou 35 mètres de hauteur de refoulement ; soyez prudent lors de l'installation et de la programmation afin de limiter les performances de la pompe avec un équipement ancien ou dans un état incertain
- Les exigences de code pour le raccordement électrique varient d'un pays à l'autre. Installez l'équipement conformément à tous les codes locaux et règlements applicables.
- Appuyez toujours sur le bouton Stop (Arrêt) et déconnectez le câble de communication avant d'exécuter un entretien

Section 1

Présentation

Pompe à vitesse variable IntelliFlo® VS

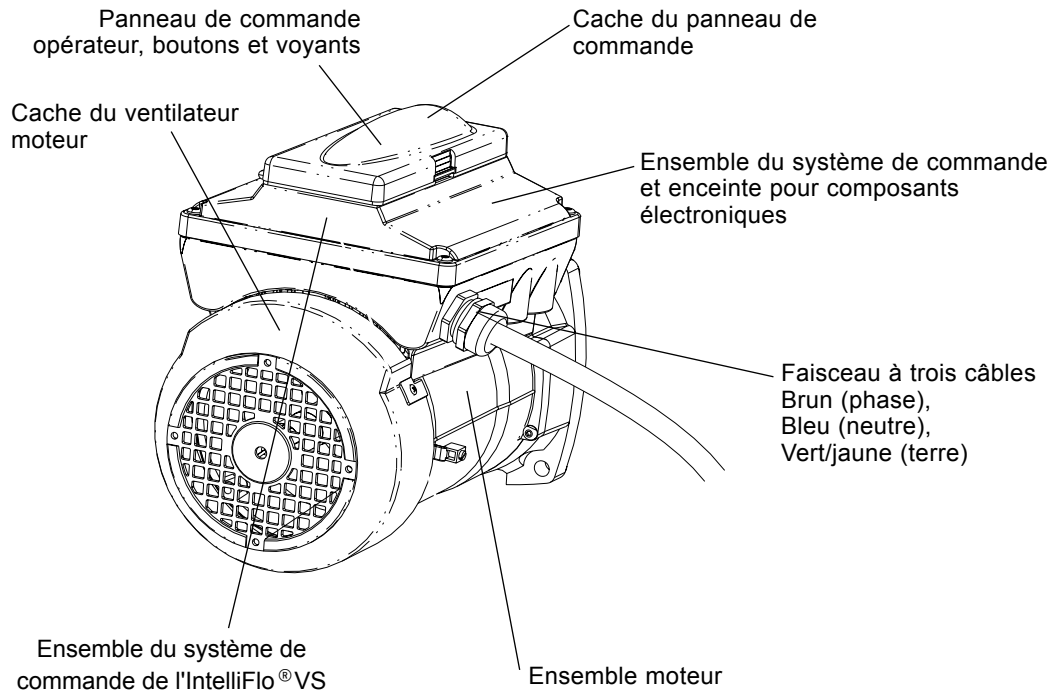
La pompe à vitesse variable IntelliFlo® VS convient parfaitement pour votre piscine, spa, épurateur, cascade et autre application aquatique. Le panneau de commande de l'IntelliFlo® VS permet d'utiliser une des quatre sélections de vitesse pré réglée, mais il est possible de régler la vitesse de la pompe sur une valeur de fonctionnement spécifique. IntelliFlo® surpasse toutes les pompes classiques de sa catégorie. Des caractéristiques de pointe en matière d'économie d'énergie garantissent une efficacité optimale du système de filtration.

Caractéristiques

- S'adapte à diverses tailles de piscines
- Empêche une surcharge thermique
- Détecte et empêche des dommages liés à des conditions de sous-tension et de surtension
- Protection contre le gel
- Panneau de commande opérateur simple d'utilisation
- Boutons de contrôle de la vitesse sur le panneau de commande
- Cuvette de filtre à cheveux et à charpie et volute intégrées
- Moteur à bride carrée TEFC à très haut rendement énergétique
- Compatibilité avec la plupart des systèmes de nettoyage, filtres et spas à hydrojets
- Ensemble du système de commande avec moteur synchrone à aimants permanents
- Construction robuste et durable prévue pour une durée de vie importante

Ensemble moteur de l'IntelliFlo® VS

Le moteur triphasé à six pôles de l'IntelliFlo® fonctionne à 3400 tr/min (à une efficacité de 92 %) et à 1000 tr/min (à 90 %). L'ensemble moteur est refroidi en permanence par un ventilateur externe. Des joints doubles sur l'arbre du moteur et le système de ventilateur isolent l'entièreté du moteur d'une infiltration d'humidité dans l'ensemble. Pour plus de protection, un déflecteur situé devant le joint d'arbre principal permet de projeter l'eau à l'écart de l'ouverture de l'arbre dans la bride.



Ensemble moteur de l'IntelliFlo® VS

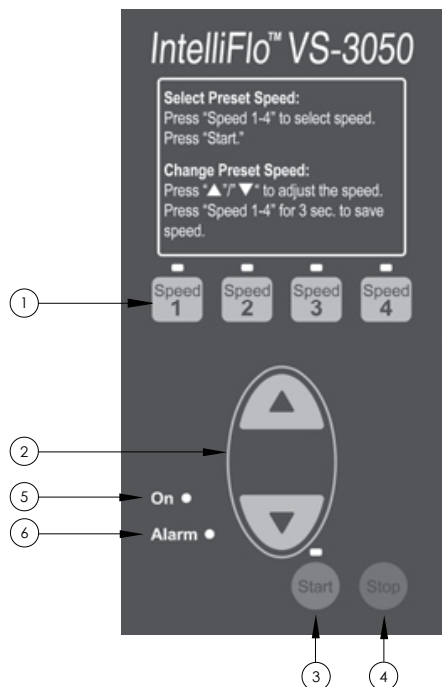
Système d'entraînement et panneau de commande de l'IntelliFlo® VS

L'ensemble du système de commande de l'IntelliFlo® se compose d'un panneau de commande opérateur et du système électronique qui commande le moteur. Le microprocesseur de commande contrôle le moteur en changeant la fréquence du courant qu'il reçoit et en changeant simultanément la tension afin de commander la vitesse de rotation.

- Moteur synchrone à aimants permanents (MSAP)
- Efficacité élevée (92 % à 3400 tr/min et 90 % à 1000 tr/min)
- Contrôle de vitesse supérieur
- Grâce à son efficacité élevée, fonctionne à des températures plus basses
- Technologie identique à celle utilisée dans les véhicules électriques hybrides
- Conçu pour supporter un environnement extérieur
- Refroidissement totalement enfermé par ventilateur
- Moteur triphasé
- 56 brides carrées
- Six pôles
- Faible niveau sonore

Panneau de commande opérateur de l'IntelliFlo® VS

Le panneau de commande opérateur de l'IntelliFlo® VS fournit des contrôles de vitesse manuels pour la pompe. Il est possible de sélectionner quatre boutons de vitesse préréglée. Les boutons Haut et Bas servent à ajuster la vitesse de la pompe. Il est possible d'enregistrer la vitesse sélectionnée et de l'attribuer à l'un des boutons de vitesse.



Commandes et voyants

- ① **Bouton /voyant Speed 1 (Vitesse 1), Speed 2 (Vitesse 2), Speed 3 (Vitesse 3) et Speed 4 (Vitesse 4) :** appuyez sur un des boutons de vitesse pour sélectionner la vitesse préréglée de pompe souhaitée. Voici les vitesses préréglées de la pompe : **Speed 1 (Vitesse 1) (750 tr/min), Speed 2 (Vitesse 2) (1500 tr/min), Speed 3 (Vitesse 3) (2350 tr/min) et Speed 4 (Vitesse 4) (3110 tr/min)**. Lorsque le bouton de vitesse sélectionné est enfoncé, le voyant du bouton de vitesse est allumé. Si la pompe tourne et que l'on utilise le bouton Haut/Bas pour ajuster la vitesse, le voyant de vitesse sélectionné s'éteint.
- ② **Bouton Haut/Bas :** pendant que la pompe tourne, appuyez sur le bouton Haut ou Bas pour augmenter ou diminuer la vitesse de la pompe. Pour enregistrer la nouvelle vitesse de la pompe, appuyez sur un des quatre boutons de vitesse pendant trois secondes pour attribuer la vitesse au bouton sélectionné (le voyant est allumé). Il est possible d'attribuer quatre vitesses de pompe aux boutons Speed (Vitesse). Lorsque la pompe tourne à une vitesse ajustée et qu'on l'éteint, la même vitesse est conservée à la remise en marche de celle-ci.
- ③ **Bouton/voyant Start (Démarrage) :** permet de démarrer la pompe avec une vitesse sélectionnée ou ajustée. Ce voyant est allumé lorsque la pompe tourne.
- ④ **Bouton Stop (Arrêt) :** appuyez sur ce bouton pour arrêter la pompe.
- ⑤ **Voyant On (Marche) :** ce voyant vert d'alimentation est allumé lorsque la pompe IntelliFlo® VS est sous tension.
- ⑥ **Voyant Alarm (Alarme) :** ce voyant est allumé en cas de condition d'erreur. Ce voyant vert clignote un certain nombre de fois pour indiquer une condition d'erreur spécifique. Pour connaître les séquences de clignotement du voyant d'alarme, consultez la Section 5 « Séquence du voyant d'alarme et d'avertissement ».

Section 2

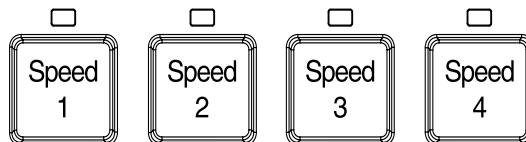
Utilisation de l'IntelliFlo® VS

Cette section décrit l'utilisation du panneau de commande de la pompe IntelliFlo® VS.

Réglage de vitesse pré réglée de la pompe

La pompe IntelliFlo® VS fonctionne en utilisant une des vitesses pré réglées. Les boutons de vitesse permettent de sélectionner les vitesses pré réglées.

Pour régler la vitesse de la pompe



1. Assurez-vous que la pompe est sous tension et que le voyant vert d'alimentation est allumé.
2. Appuyez sur le bouton de vitesse souhaité (1 à 4) pendant moins de trois secondes pour sélectionner la vitesse pré réglée de la pompe. Lorsqu'on appuie sur le bouton de vitesse choisi, le voyant est allumé. Voici les boutons et les vitesses de pré réglage de la pompe :

Bouton Speed 1 (Vitesse 4) - 750 tr/min

Bouton Speed 2 (Vitesse 4) - 1500 tr/min

Bouton Speed 3 (Vitesse 4) - 2350 tr/min

Bouton Speed 4 (Vitesse 4) - 3110 tr/min

3. Appuyez sur le bouton **Start** (Démarrer) pour démarrer la pompe en utilisant, au besoin, la vitesse sélectionnée.

Réglage de la vitesse de la pompe

Il est possible de régler la pompe IntelliFlo® pour un fonctionnement à n'importe quelle vitesse comprise entre 400 tr/min et 3450 tr/min.

Pour ajuster la vitesse de la pompe

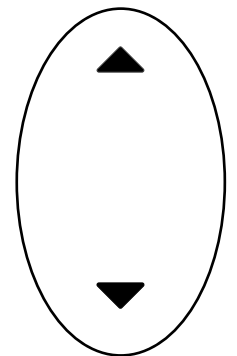
1. Assurez-vous que la pompe est sous tension et que le voyant vert d'alimentation est allumé.
2. Appuyez sur le bouton **Start** (Démarrer) pour démarrer la pompe si celle-ci ne tourne pas.
3. Appuyez sur le bouton **Haut/Bas** pour augmenter ou diminuer la vitesse de la pompe.

- **Incréments de 10 tr/min** : Pressez et relâchez rapidement le bouton **Haut/Bas** pour augmenter ou diminuer la vitesse par incréments de 10 tr/min.

- **Incréments de 20 tr/min** : Pressez et maintenez enfoncé le bouton **Haut/Bas** pour augmenter ou diminuer en continu la vitesse de la pompe.

4. **Enregistrement d'une vitesse ajustée** : pour enregistrer la nouvelle vitesse de pompe ajustée, pressez et maintenez enfoncés les boutons de vitesse souhaités pour attribuer la vitesse actuelle. Il est possible d'attribuer quatre nouvelles vitesses de pompe aux boutons Speed (Vitesse) (1 à 4).

5. Appuyez sur le bouton **Speed** (Vitesse) attribué à la vitesse ajustée.



Bouton Haut/Bas

Démarrage de la pompe

Pour démarrer la pompe

1. Assurez-vous que la pompe est sous tension et que le voyant vert d'alimentation est allumé.
2. Appuyez sur le bouton **Start** (Démarrage) (voyant allumé) pour démarrer la pompe.

Remarque : lorsque la pompe tourne à une vitesse modifiée et qu'on coupe la pompe, la même vitesse est conservée à la remise en marche suivante.

Arrêt de la pompe

Pour arrêter la pompe

- Appuyez sur le bouton **Stop** (Arrêt) pour arrêter la pompe.

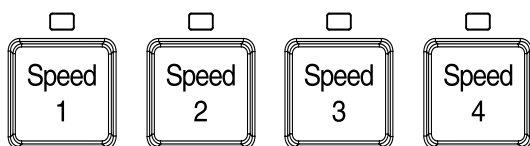
Remarque : la pompe peut redémarrer automatiquement si on connecte le câble de communication.

Réinitialisation de la pompe aux réglages usine

Il est possible de rétablir les réglages usine par défaut de la pompe IntelliFlo® VS. Tous les réglages de vitesse de pompe précédemment enregistrés sont effacés.

Pour ramener la pompe aux réglages usine par défaut :

1. Assurez-vous que la pompe est sous tension et que le voyant vert d'alimentation est allumé.
2. Appuyez sur le bouton **Stop** (Arrêt) pour arrêter la pompe.
3. Pressez et maintenez enfoncé simultanément les quatre boutons **Speed** (Vitesse) pendant trois secondes. Désactivez le système de commande, puis réactivez-le. Les réglages par défaut sont effectifs.



Boutons de vitesse du panneau de commande

Amorçage de la pompe pour la première mise en service ou après entretien

Avant de démarrer la pompe IntelliFlo® VS pour la première fois, elle doit être amorcée. Amorcer une pompe signifie remplir la pompe et le tuyau d'aspiration avec de l'eau. Ce processus évacue l'air de tous les conduits d'aspiration et de la pompe. L'amorçage peut prendre plusieurs minutes en fonction de la profondeur de l'eau, de la dimension et de la longueur du tuyau. L'amorçage d'une pompe est plus facile si vous laissez l'air s'échapper de la pompe et des tuyaux. Si l'air ne peut pas s'échapper, l'eau ne peut pas pénétrer. Les pompes ne conservent pas l'amorçage, c'est le rôle du système de conduits de la piscine.

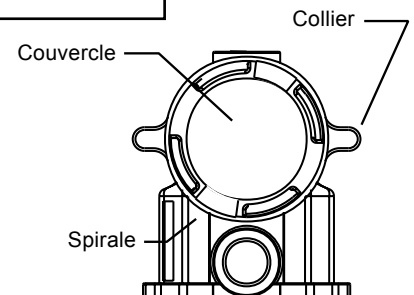
ATTENTION - Afin d'éviter d'endommager de manière permanente la pompe IntelliFlo® VS, avant le démarrage de la pompe, remplissez le logement du filtre à cheveux et à charpie de l'IntelliFlo® avec de l'eau pour permettre un amorçage correct de la pompe. S'il n'y a pas d'eau dans le filtre à cheveux et à charpie, la pompe ne s'amorcera pas.

- NE JAMAIS faire tourner la pompe à sec ! Un fonctionnement à sec de la pompe peut endommager les joints et provoquer des fuites et une inondation !
- Ne jamais ajouter des substances chimiques au système directement en amont de l'aspiration de la pompe. L'ajout de substances chimiques non diluées peut endommager la pompe et annulera la garantie.
- Ouvrez les soupapes-vannes avant le démarrage du système.
- La pompe s'amorcera automatiquement lorsqu'elle est utilisée dans un système d'aspiration submergé.
- Veillez à libérer l'air présent dans le filtre et le système de conduits.
- La pompe IntelliFlo® VS est une pompe à vitesse variable. Généralement, on utilise les vitesses plus basses pour la filtration et le chauffage. Les vitesses plus élevées peuvent être utilisées pour les jets de spa, les pièces d'eau et l'amorçage.

ATTENTION - Avant de commencer cette procédure, lisez d'abord la section suivante

Avant de retirer le couvercle de la pompe :

1. **Avant de continuer, appuyez sur le bouton Stop (Arrêt)** si la pompe tourne.
1. **Déconnectez le câble de communication de la pompe.**
2. **Fermez les soupapes-vannes** dans les tuyaux d'aspiration et d'évacuation.
3. **Relâchez la pression** de la pompe et du système de conduits.
4. **Ne serrez et ne desserrez jamais** le collier de serrage pendant que la pompe fonctionne.



AVERTISSEMENT ! Si la pompe est testée sous pression, relâchez la pression avant de retirer le collier. Ne bloquez pas l'aspiration de la pompe pendant que la pompe fonctionne. Une obstruction de l'aspiration de la pompe avec une partie du corps peut provoquer des blessures graves ou mortelles. Les petits enfants utilisant la piscine doivent TOUJOURS être surveillés de près par un adulte.

AVERTISSEMENT ! RISQUE D'INCENDIE ET DE BRÛLURES - Le moteur de pompe peut fonctionner à des températures élevées. Pour réduire le risque d'incendie, ne laissez pas s'accumuler des feuilles, des débris ou des objets étrangers autour du moteur de la pompe. Afin d'éviter des brûlures lorsque vous manipulez le moteur, coupez-le et laissez-le refroidir 20 minutes avant de commencer à travailler dessus. La pompe IntelliFlo™ 4 comporte un disjoncteur interne automatique pour protéger le moteur de dommages liés à la surchauffe pendant l'utilisation.

Amorçage de la pompe pour la première mise en service ou après entretien(Suite)

Amorçage de la pompe

- Relâchez la pression du filtre, de la pompe et du système de conduits ; consultez le mode d'emploi du filtre.
- Dans un système d'aspiration submergé (la source de l'eau est plus élevée que la pompe), la pompe IntelliFlo® VS s'amorcera automatiquement lorsque les vannes d'aspiration et d'évacuation sont ouvertes.
- Si la pompe IntelliFlo® VS ne se trouve pas dans un système d'aspiration submergé, retirez le collier et le couvercle ; remplissez la pompe avec de l'eau.
- Ne lubrifiez pas le joint torique du couvercle. Le joint torique d'origine contient un lubrifiant interne permanent.

REMARQUE : si vous remplacez le joint torique par un modèle qui n'est pas lubrifié de manière interne, vous pouvez être amené à appliquer un lubrifiant à base de silicone.

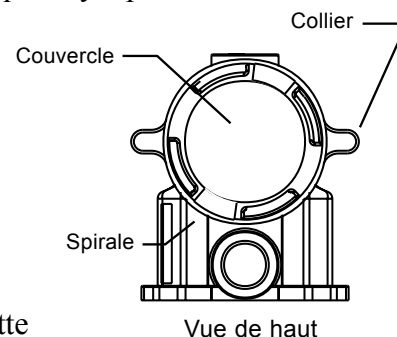
- Nettoyez et inspectez le joint torique ; remettez-le en place sur le couvercle.
- Remettez le collier ; tournez en sens horaire pour serrer le couvercle.

REMARQUE : Serrez le collier de la pompe à la main (pas de clé) !

La pompe doit maintenant s'amorcer. Le temps d'amorçage dépendra de la dimension verticale de la hauteur d'aspiration et de la dimension horizontale du conduit d'aspiration. Si la pompe ne s'amorce pas, assurez-vous que toutes les vannes sont ouvertes, que le tuyau d'aspiration se trouve sous l'eau, que l'aspiration de la pompe se trouve en dessous du niveau de l'eau et qu'il n'y a pas de fuite dans le tuyau d'aspiration.

Pour amorcer la pompe IntelliFlo® VS :

1. Tournez le collier de la pompe et le couvercle en sens antihoraire jusqu'à ce qu'ils se bloquent, puis retirez-les.
2. Remplissez la cuvette du filtre à cheveux et à charpie de la pompe avec de l'eau.
3. Remettez en place le collier de la pompe et le couvercle sur la cuvette du filtre à cheveux et à charpie. La pompe peut maintenant s'amorcer.
4. Assurez-vous que toutes les connexions électriques sont propres et serrées.
5. Ouvrez la soupape de libération d'air du filtre, et tenez-vous à l'écart du filtre.
6. Activez la pompe IntelliFlo™ au disjoncteur. Assurez-vous que le voyant vert d'alimentation est allumé.
7. Appuyez sur le bouton **Speed 1** (Vitesse 1) pour sélectionner la vitesse de pompe 750 tr/min.
8. Appuyez sur le bouton **Start** (Démarrage) pour démarrer la pompe. Utilisez le bouton **Haut/Bas** pour augmenter la vitesse selon le besoin pour amorcer la pompe.
9. Lorsque de l'eau sort de la soupape de libération d'air, fermez la soupape. Le système doit maintenant renvoyer l'eau vers la piscine sans présence de bulles d'air dans la cuvette du filtre à cheveux et charpie ni dans les raccords de refoulement vers la piscine.
10. Utilisez les boutons **Haut/Bas** pour ajuster la régime de fonctionnement à votre gré.



Section 3

Maintenance utilisateur

Les informations suivantes décrivent l'entretien et la maintenance de la pompe IntelliFlo®.

Panier du filtre à cheveux et à charpie de la pompe

Le filtre à cheveux et à charpie, parfois dénommé « cuvette à cheveux et à charpie », se trouve à l'avant de la pompe. Dans celui-ci se trouve un panier qui doit être gardé, en permanence, exempt de feuilles et de débris. Examinez le panier par le couvercle à regard transparent pour détecter la présence de feuilles et de débris.

Quel que soit l'intervalle entre les nettoyages du filtre, le plus important est d'inspecter visuellement le panier du filtre à cheveux et à charpie au moins une fois par semaine. Un panier sale réduit l'efficacité du filtre et éventuellement du chauffage.

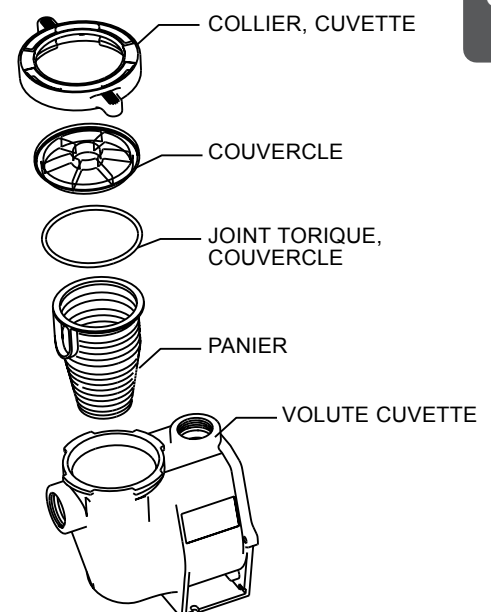
⚠ AVERTISSEMENT — NE PAS ouvrir la cuvette du filtre à cheveux et à charpie si la pompe ne parvient pas à s'amorcer ou si elle a fonctionné sans eau dans la cuvette. Des pompes utilisées dans ces circonstances peuvent subir une accumulation de pression de vapeur et peuvent contenir de l'eau bouillante. L'ouverture de la pompe peut provoquer des blessures graves. Afin d'éviter des blessures possibles, assurez-vous que les vannes d'aspiration et d'évacuation sont ouvertes et que la cuvette du filtre à cheveux et à charpie est froide au toucher, puis ouvrez très prudemment.

⚠ ATTENTION — Pour éviter d'endommager la pompe et les filtre et pour un fonctionnement optimal du système, nettoyez régulièrement le panier du filtre à cheveux et à charpie et celui du système d'écumage (skimmer).

Entretien du panier du filtre à cheveux et à charpie de la pompe

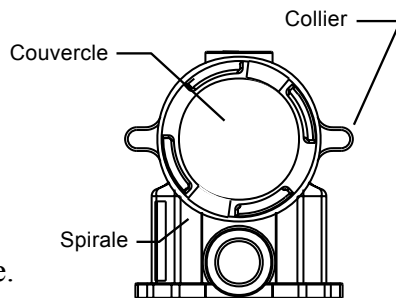
Si la pompe IntelliFlo® est installée sous le niveau de l'eau de la piscine, fermez les conduits de refoulement et d'aspiration avant d'ouvrir la cuvette du filtre à cheveux et à charpie sur la pompe.

1. Appuyez sur le bouton Stop (Arrêt) pour arrêter la pompe et mettez-la hors tension au disjoncteur.
2. Relâchez la pression du système.
3. Tournez le collier et le couvercle en sens antihoraire jusqu'à ce qu'il se bloque.
4. Retirez le collier et le couvercle.
5. Retirez le panier, mettez les débris dans la poubelle et rincez le panier. Si le panier est fêlé, remplacez-le.
6. Remettez le panier et remplissez la cuvette de la pompe et la volute avec de l'eau jusqu'à l'orifice d'entrée.
7. Nettoyez le couvercle, le joint torique et la surface d'étanchéité de la cuvette de la pompe. Graissez le joint torique avec du Téflon ou un lubrifiant à base de silicone.
8. Remettez en place le couvercle en plaçant le collier et le couvercle sur la cuvette.



Entretien du panier du filtre à cheveux et à charpie de la pompe (Suite)

9. Assurez-vous que le joint torique du couvercle est correctement installé. Mettez le collier et le couvercle en place, puis tournez sens horaire jusqu'à ce que les poignées soient horizontales comme sur l'illustration.
10. Au besoin, reconnectez le câble de communication à la pompe.
11. Mettez sous tension au disjoncteur. Réglez l'heure de l'horloge de la piscine.



AVERTISSEMENT — LE FILTRE FONCTIONNE SOUS PRESSION ÉLEVÉE. LORS DE L'ENTRETIEN DE COMPOSANTS DU SYSTÈME DE CIRCULATION (p.ex., BAGUE DE VERROUILLAGE, POMPE, FILTRE, VANNES, ETC.), DE L'AIR PEUT PÉNÉTRER DANS LE SYSTÈME ET MONTER EN PRESSION. L'AIR SOUS PRESSION PEUT FAIRE SAUTER LE COUVERCLE ET PROVOQUER DES BLESSURES GRAVES, LA MORT OU DES DÉGÂTS MATÉRIEL. AFIN D'ÉVITER CE RISQUE POTENTIEL, SUIVEZ LES INSTRUCTIONS SUIVANTES.

12. Ouvrez la soupape de surpression manuelle en haut du filtre.
13. Tenez-vous à l'écart du filtre. Appuyez sur le bouton Start (Démarrage) de la pompe.
14. Évacuez l'air du filtre jusqu'à ce qu'un courant continu d'eau s'échappe.
15. Fermez la valve de surpression manuelle.

Entretien du moteur

1. Protection contre la chaleur :

- Protégez le moteur et l'unité de commande du soleil.
- Toute enceinte doit être bien ventilée pour empêcher une surchauffe. Une attention particulière doit être apportée au cache du ventilateur du moteur et aux ailettes de refroidissement entre le système de commande et le moteur.
- Assurez une ventilation efficace dans toutes les directions.

2. Protection contre les saletés :

- Protégez le système des matières étrangères et des projections d'eau.
- Ne rangez pas (ou ne renversez pas) des substances chimiques pour la piscine à proximité du moteur.
- Évitez de balayer ou de remuer de la poussière à proximité du moteur pendant qu'il fonctionne.
- L'endommagement du moteur par la saleté annule sa garantie.

3. Protection contre l'humidité :

- Protégez le système des éclaboussures de la piscine.
- Protégez le système des intempéries.
- Protégez le système des arroseurs de gazon.
- Si un moteur est mouillé, laissez-le sécher avant de l'utiliser. Ne faites pas fonctionner la pompe si elle a été inondée.
- L'endommagement du moteur par l'eau annule sa garantie.

Remarque : n'enveloppez PAS le moteur et l'unité de commande dans du plastique ou d'autres matériaux étanches à l'air. Le moteur et l'unité de commande peuvent être couverts, mais pas enveloppés dans du plastique, pendant un orage, pour l'hivernage, etc., mais jamais lorsqu'ils sont en fonctionnement ou en attente de fonctionnement.

Lors du remplacement du moteur, assurez-vous que le support du moteur est correctement positionné pour supporter la dimension du moteur installé.

Hivernage


Pour protéger les composants électroniques de la pompe IntelliFlo®VS de dommages liés au gel, la pompe s'activera automatiquement pour produire de la chaleur interne lorsque la température de l'air descend en dessous de 4,4 °C. **Cette fonction n'a pas pour but de protéger les canalisations du gel.**

1. Si la température de l'air descend en dessous de 4,4 °C, l'eau présente dans la pompe peut geler et provoquer des dégâts. Les dégâts liés au gel ne sont pas couverts par la garantie.
2. Pour éviter des dégâts liés au gel, procédez comme suit.
 - Coupez l'alimentation électrique de la pompe au disjoncteur.
 - Vidangez la pompe en retirant les deux bouchons de vidange à serrage à main situés en bas de la volute. Rangez les bouchons dans le panier de la pompe.
 - Couvrez le moteur pour le protéger de la pluie intense, de la neige et du gel.
 - N'enveloppez pas le moteur dans du plastique. Cela risque de provoquer de la condensation et de la rouille à l'intérieur du moteur.

Remarque : dans des régions à climat tempéré doux, lorsque des conditions de gel temporaires peuvent se produire, faites tourner votre équipement de filtrage toute la nuit pour éviter qu'il ne gèle.

Amorçage de la pompe après entretien

Avant de démarrer le système, la pompe et le système doivent être amorcés manuellement. Veillez à rouvrir les vannes avant utilisation. Pour amorcer la pompe IntelliFlo®VS, la cuvette du filtre à cheveux et à charpie doit être remplie d'eau.

 **ATTENTION** — NE PAS faire fonctionner la pompe à sec. Si la pompe fonctionne à sec, le joint mécanique peut être endommagé et la pompe peut commencer à fuir. Si cela se produit, le joint endommagé doit être remplacé. Maintenez TOUJOURS un niveau d'eau adéquat dans votre piscine. Un fonctionnement continu dans ces conditions peut entraîner une perte de pression, et endommager le corps de la pompe, le rotor et le joint.

Pour les instructions d'amorçage de la pompe IntelliFlo®VS, consultez la section 2 « Amorçage de la pompe pour la première mise en service ou après entretien ».

Installation et démontage

Les informations suivantes décrivent l'installation de la pompe IntelliFlo® VS.

Remarque : avant d'installer ce produit, lisez et respectez tous les avertissements et toutes les instructions.

Contenu du kit IntelliFlo® VS

- Pompe IntelliFlo® VS

Installation de la pompe IntelliFlo® VS

L'installation de la pompe IntelliFlo® VS doit être effectuée par un technicien d'entretien qualifié.

Emplacement

1. Installez la pompe aussi près que possible de la piscine ou du spa. Pour réduire la perte de charge et améliorer l'efficacité, utilisez des conduits d'aspiration et de refoulement courts et directs.
2. Installez la pompe à une distance minimale de 1,5 m par rapport à la paroi intérieure de la piscine ou du spa.
3. Installez la pompe une distance minimale de 0,6 m par rapport à la sortie du chauffage.
4. N'installez pas la pompe à plus de 2,4 m au-dessus du niveau d'eau.
5. Installez la pompe à un emplacement abrité bien ventilé, protégé d'une humidité excessive, (c'est-à-dire, la pluie, les systèmes d'arrosage, etc.).
6. Pour les jacuzzis et les spas, n'effectuez pas l'installation dans une enceinte extérieure ou en dessous de la jupe d'un jacuzzi ou d'un spa.
7. Installez la pompe avec un dégagement arrière d'au moins 15 cm pour permettre le démontage aisé du moteur pour l'entretien et la réparation.

Conduites

Pour avoir une meilleure installation de la piscine, il est recommandé d'utiliser des tuyaux plus grands. Lors de l'installation des raccords d'entrée et de sortie (adaptateurs mâles), utilisez une pâte d'étanchéité pour raccords filetés.

N'installez pas de coudes à 90° directement à l'entrée ou à la sortie de la pompe. L'installation d'une vanne, d'un coude ou d'un T dans la tuyauterie d'aspiration ne doit pas se faire près la section avant de la pompe à une distance inférieure à cinq (5) fois le diamètre du conduit d'aspiration. Cette règle facilitera un amorçage rapide et améliorera la longévité.

Le système d'aspiration submergé doit avoir des soupapes-vannes installées sur les tuyaux d'aspiration et d'évacuation pour permettre l'entretien ; cependant, la soupape-vanne d'aspiration ne doit pas se trouver à une distance inférieure à cinq (5) fois le diamètre du tuyau d'aspiration (voir ci-dessus).

Clapet anti-retour

Des clapets de non-retour doivent être utilisés lorsque la pompe IntelliFlo® VS est utilisée en parallèle avec d'autres pompes. Les pompes IntelliFlo® ne peuvent pas être utilisées en série avec d'autres pompes.

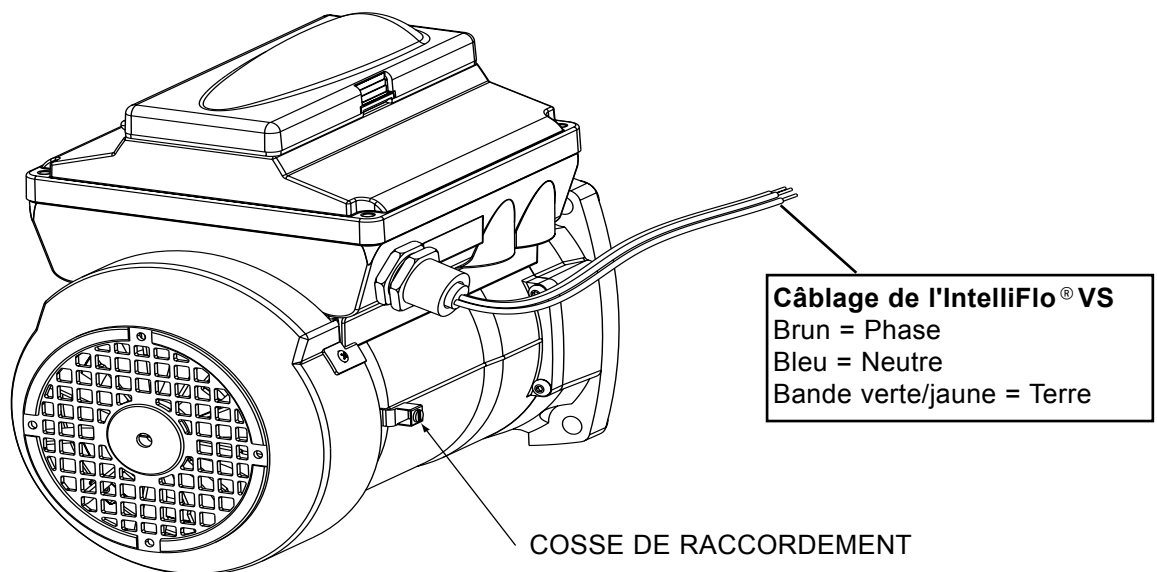
Câblage de l'IntelliFlo® VS

Pour connecter l'IntelliFlo™ à une source d'alimentation secteur :

1. Assurez-vous que tous les disjoncteurs et interrupteurs sont coupés avant de câbler le moteur.
2. Assurez-vous que la tension de câblage est 230 V en courant alternatif.
3. Utilisez un conducteur de calibre 12 AWG pour des distances allant jusqu'à 30 m et de calibre 10 AWG pour des longueurs supérieures à 30 m. Dans le doute, utilisez un câble de calibre plus élevé (diamètre plus grand). Un calibre plus élevé permettra au moteur de moins chauffer et de fonctionner avec un meilleur rendement.
4. Assurez-vous que toutes les connexions électriques sont propres et serrées.
5. Coupez les câbles à la longueur appropriée afin qu'ils ne se chevauchent pas lorsqu'ils sont raccordés.
6. Raccordez de manière permanente le moteur à la terre en utilisant le fil de terre vert/jaune, comme illustré ci-dessous. Utilisez la dimension et le type de câble corrects définis par les codes d'électricité européens. Assurez-vous que le fil de terre est raccordé à une terre pour usage électrique.
7. Reliez le moteur à la structure de la piscine conformément au Code Électrique National. Utilisez un conducteur en cuivre plein de calibre 8 AWG (8,4 mm²), ou supérieur. Faites passer un câble entre la cosse de liaison externe et la structure de liaison de la piscine, comme illustré ci-dessous.

Remarque : lorsqu'on démarre et qu'on arrête la pompe IntelliFlo® VS en coupant l'alimentation avec un relais ou une minuterie, il faut utiliser un dispositif bipolaire pour appliquer et couper l'alimentation des deux fils d'alimentation rouges.

La pompe IntelliFlo® est conçue pour connectée de manière permanente à sa source d'alimentation. Généralement, la pompe reçoit l'alimentation directement du disjoncteur. Aucun contacteur ou démarreur de moteur n'est requis. La pompe IntelliFlo® peut être utilisée en mode « autonome », le démarrage et l'arrêt s'effectuant à l'application et à la coupure de l'alimentation. Lors de la mise sous tension du système de commande, celui-ci revient au mode et à l'état de fonctionnement qu'il avait à la mise hors tension. Cette configuration peut être appropriée si vous devez utiliser des relais ou minuteries existants.



Spécifications électrique de l'IntelliFlo® VS

Protection de circuit : Dispositif bipolaire de 20 AMP au panneau électrique.

Entrée : 230 V CA, 50/60 Hz, 3,2 kW

Démontage de la pompe



AVERTISSEMENT — Coupez toujours l'alimentation vers la pompe de piscine au disjoncteur et déconnectez le câble de communication avant l'entretien de la pompe. Le non-respect de cette consigne peut entraîner la mort ou des blessures graves par électrocution du technicien d'entretien, des utilisateurs de la piscine ou d'autres personnes.



Lisez toutes les instructions d'entretien avant de travailler sur la pompe.



AVERTISSEMENT — **NE PAS** ouvrir la cuvette du filtre à cheveux et à charpie si la pompe ne parvient pas à s'amorcer ou si elle a fonctionné sans eau dans la cuvette. Des pompes utilisées dans ces circonstances peuvent subir une accumulation de pression de vapeur et peuvent contenir de l'eau bouillante. L'ouverture de la pompe peut provoquer des blessures graves. Afin d'éviter un risque de blessure, assurez-vous que les vannes d'aspiration et d'évacuation sont ouvertes et que la cuvette du filtre à cheveux et à charpie est froide au toucher, puis ouvrez très prudemment.



ATTENTION — Veillez à ne pas griffer ou endommager les faces polies du joint d'arbre ; en cas d'endommagement, le joint peut fuir.

Toutes les pièces mobiles sont situées dans le sous-ensemble arrière de la pompe IntelliFlo®.

Outils nécessaires :

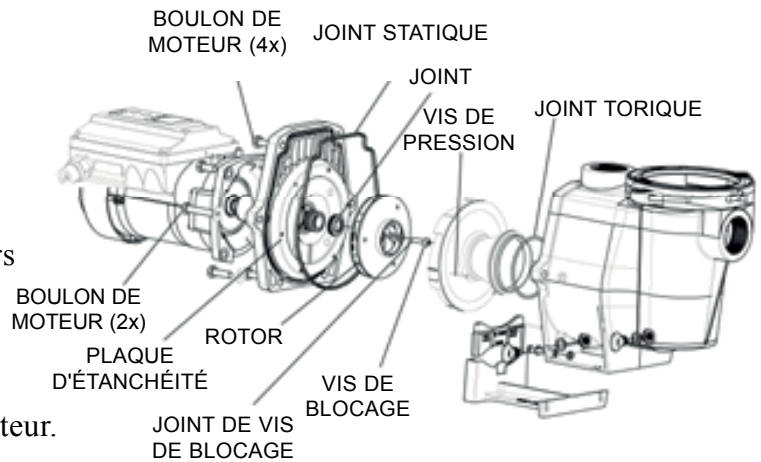
- Clé Allen de 3/32 de pouce.
- Clé plate de 1/2 pouce.
- Clé plate de 9/16 de pouce.
- Tournevis plat.

Pour démonter et réparer le joint mécanique de la pompe, exécutez les étapes suivantes :

1. Coupez le disjoncteur de la pompe au panneau principal.
2. Vidangez la pompe en retirant les bouchons de vidange.
3. Retirez les six boulons qui maintiennent le corps principal de la pompe (cuvette du filtre à cheveux et à charpie/volute) au sous-ensemble arrière.
4. Séparez **DOUCEMENT** les deux moitiés de la pompe, en retirant le sous-ensemble arrière.
5. Utilisez une clé Allen de 3/32 de pouce pour desserrer les deux vis de fixation situées sur le diffuseur.
6. Maintenez le rotor solidement en place et retirez la vis de blocage du rotor en utilisant un tournevis à tête Philips. La vis possède un filet gauche et se desserre en sens horaire.
7. Utilisez un tournevis plat pour maintenir l'arbre du moteur. L'arbre du moteur possède une encoche au bout qui est accessible par le centre du cache du ventilateur.

Démontage de la pompe (Suite)

8. Pour dévisser le rotor de l'arbre, faites tourner le rotor en sens antihoraire.
9. Retirez la partie tournante du joint mécanique du rotor.
10. Retirez les quatre boulons entre la plaque d'étanchéité et le moteur, en utilisant une clé de 9/16 de pouce.
11. Placez la plaque d'étanchéité face vers le bas sur une surface plane et faites sortir le siège de ressort en tapotant.
12. Nettoyez la plaque d'étanchéité, le logement du joint, et l'arbre du moteur.



Remontage de la pompe/remplacement des joints

1. Lors de l'installation du joint d'arbre de remplacement, utilisez une pâte d'étanchéité à base de silicone sur la partie métallique avant de pousser dans la plaque d'étanchéité, comme illustré.
2. Avant d'installer la partie tournante du joint dans le rotor, assurez-vous que le rotor est propre. Utilisez un savon à faible densité et de l'eau pour lubrifier l'intérieur du joint. Poussez le joint dans le rotor avec votre doigt et essuyez les faces en céramique et en carbone avec un chiffon propre.
3. Remontez la plaque d'étanchéité sur le moteur.
4. Graissez le filetage de l'arbre du moteur et vissez le rotor sur l'arbre du moteur.
5. Serrez la vis de blocage du rotor (en sens antihoraire).
6. Remontez le diffuseur sur la plaque d'étanchéité. Assurez-vous que les goupilles en plastique et les inserts de vis sont alignés.
7. Graissez le joint torique du diffuseur et le joint statique de la plaque d'étanchéité avant le remontage.
8. Graissez les filetages de boulon, assemblez le sous-ensemble du moteur à la cuvette du filtre à cheveux et à charpie / au corps de la pompe en utilisant les deux (2) boulons traversants pour un alignement correct. Ne serrez pas les boulons traversants avant que les (6) boulons soient en place et serrés à la main.
9. Remplissez la pompe avec de l'eau.
10. Remettez en place le couvercle de la pompe et le collier en plastique.
11. Amorcez la pompe.

Remplacement du joint d'arbre

Le joint d'arbre se compose principalement de deux parties, un élément tournant et un joint en céramique. Si ce n'est un soin minimum, la pompe n'exige que peu ou pas d'entretien ; il peut toutefois arriver qu'un joint d'arbre soit endommagé et doit être remplacé.

Remarque : si on ne les manipule pas avec précaution, les surfaces polies et rodées du joint peuvent être endommagées.

Démontage et installation de l'ensemble du système de commande

Pour démonter le système de commande et le panneau de commande de la pompe IntelliFlo™ de l'ensemble moteur :

1. Assurez-vous que tous les disjoncteurs et interrupteurs sont coupés avant de démonter le système de commande.
2. Ouvrez le cache du panneau de commande.
3. Retirez les trois vis à tête Philips fixant le système de commande à l'ensemble moteur, comme illustré.

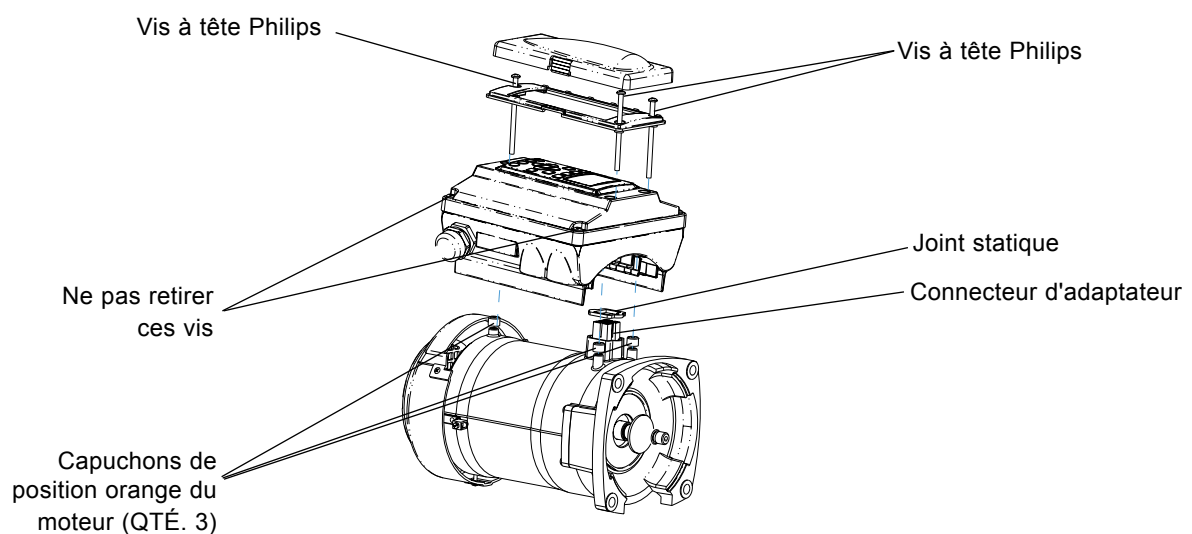
ATTENTION : AFIN D'ÉVITER UN RISQUE ÉLECTRIQUE, NE RETIREZ PAS LES PIÈCES ANTI-EFFRACTION DE L'ENSEMBLE MOTEUR

4. Soulevez l'ensemble du système de commande et retirez-le de l'adaptateur de moteur situé en haut de l'ensemble moteur.

Remarque : veillez à ne pas retirer le joint statique entre le système de commande et le moteur ; il est crucial de protéger le système de commande et le moteur de l'humidité. Remplacez le joint statique s'il est endommagé. Ne procédez pas au remontage si le joint statique est endommagé ou manquant.

Pour installer l'ensemble du système de commande sur l'ensemble moteur:

1. Assurez-vous que tous les disjoncteurs et interrupteurs sont coupés avant d'installer le système de commande.
2. Assurez-vous que le joint statique entre le système de commande et le moteur est en place. Il est crucial de protéger le système de commande et le moteur de l'humidité. Remplacez le joint statique s'il est endommagé. Ne procédez pas au remontage si le joint statique est endommagé ou manquant.
3. Vérifiez que les trois (3) capuchons de position orange du moteur sont en position avant de placer le système de commande sur l'ensemble moteur.
4. Alignez l'ensemble du système de commande avec l'adaptateur de moteur et déposez le système de commande sur l'ensemble moteur.
5. Fixez et serrez le système de commande avec les trois vis à tête Philips.



Retrouvez les listes de pièces détachées illustrées sur:

www.pentairpooleurope.com

Section 5

Dépannage



ATTENTION : Avant d'installer ce produit, lisez et respectez tous les avertissements et toutes les instructions.

Conditions d'avertissement et d'alarme

Les avertissements et alarmes de l'IntelliFlo® VS sont indiqués par des voyants clignotants au panneau de commande. Par exemple, si un avertissement de « température de système de commande » se produit, le voyant clignote deux fois, puis s'éteint, puis clignote deux fois. Cette séquence se répète jusqu'à ce que la condition soit supprimée.

- **Condition d'avertissement :** en condition d'avertissement, la pompe continuera de tourner, mais à vitesse réduite. Le voyant vert exécute une séquence de clignotements pour indiquer l'alarme ou l'avertissement présent.
- **Condition d'alarme :** en cas de condition d'alarme, la pompe s'arrête de tourner. Le voyant rouge clignote de façon continue pour indiquer la présence d'une alarme. Les voyants d'alarme se réinitialisent lorsque la condition a disparu.

Séquence des voyants d'alarme et d'avertissement

Nombre de fois que le voyant clignote	Alarme	Description	Action
2	Avertissement de température de système de commande	Température excessive du système de commande	<ol style="list-style-type: none"> 1. Assurez-vous que le ventilateur du moteur a suffisamment d'espace pour la ventilation. 2. Arrêtez le moteur et laissez-le refroidir. 3. Faites tourner le moteur à une vitesse plus élevée pour améliorer le flux d'air de refroidissement.
5	Alarme inconnue	Défaillance électronique	<ol style="list-style-type: none"> 1. Coupez et rallumez l'alimentation pour réinitialiser la pompe. 2. Remplacez le système de commande.
6	Alarme de température du système de commande	Température excessive du système de commande	<ol style="list-style-type: none"> 1. Assurez-vous que le ventilateur du moteur a suffisamment d'espace pour la ventilation. 2. Faites tourner le moteur à une vitesse plus élevée pour améliorer le flux d'air de refroidissement.
7	Alarme de panne d'alimentation	Tension d'alimentation faible	Assurez une tension d'alimentation correcte.
8	Alarme de surintensité	Intensité excessive du système de commande	<ol style="list-style-type: none"> 1. Examinez le système de liquide/mécanique pour détecter une source de surcharge. 2. Désactivez le moteur et déterminez si le moteur tourne librement. 3. Remplacez le système de commande.
9	Alarme de surtension	Tension excessive sur les bus du système de commande	<ol style="list-style-type: none"> 1. Un changement rapide de vitesse peut provoquer des surtensions sur les bus CC du système de commande. 2. Assurez une tension d'alimentation correcte.

Dépannage des problèmes généraux de l'IntelliFlo® VS

Utilisez les informations générales de dépannage suivantes pour résoudre des problèmes éventuels avec votre pompe IntelliFlo® VS.

Remarque : coupez l'alimentation principale de la pompe avant tout entretien ou toute réparation.

Problème	Cause possible	Remède
Défaillance de la pompe. Reportez-vous à Séquence des voyants d'alarme et d'avertissement.	La pompe ne s'amorce pas - Fuite d'air à l'aspiration.	Contrôlez le conduit d'aspiration et les bagues de vanne sur toutes les soupapes-vannes d'aspiration. Fixez le couvercle sur la cuvette du filtre à cheveux et à charpie de la pompe et assurez-vous que le joint statique du couvercle est en place. Contrôlez le niveau d'eau pour vous assurer que le système d'écumage (skimmer) n'aspire pas de l'air.
	La pompe ne s'amorce pas - Pas assez d'eau.	Assurez-vous que les conduits d'aspiration, la pompe, le filtre à cheveux et à charpie et la volute de la pompe sont remplis d'eau.
	Filtre à cheveux et à charpie de la pompe bouché.	Nettoyez la cuvette du filtre à cheveux et à charpie de la pompe.
	Joint statique du filtre à cheveux et à charpie de la pompe défectueux.	Remplacez le joint statique.
Capacité et/ou hauteur de refoulement réduites. Reportez-vous à Séquence des voyants d'alarme et d'avertissement.	Poches d'air ou fuites dans le conduit d'aspiration.	Contrôlez le conduit d'aspiration et les bagues de vanne sur toutes les soupapes-vannes d'aspiration.
	Rotor bouché.	Coupez l'alimentation électrique de la pompe. Retirez les (6) boulons qui maintiennent la volute à la plaque d'étanchéité. Faites glisser le moteur et la plaque d'étanchéité à l'écart de la volute. Nettoyez les débris du rotor. Si vous ne parvenez pas à retirer les débris, effectuez les étapes suivantes. 1. Retirez le diffuseur et le joint torique. 2. Retirez le boulon anti-rotation à filet gauche et le joint torique. 3. Retirez, nettoyez et remettez en place le rotor. 4. Remettez en place le boulon anti-rotation et le joint torique. Remettez en place le diffuseur et le joint torique. Remettez en place le moteur et la plaque d'étanchéité dans la volute. Remettez en place les (6) boulons autour de la plaque d'étanchéité et de la volute et serrez solidement.
	Filtre à cheveux et à charpie de la pompe bouché.	Nettoyez le piège d'aspiration.

Problèmes et actions correctives (Suite)

Problème	Cause possible	Remède
<p>Le disjoncteur déclenche de manière répétée. Reportez-vous à Séquence des voyants d'alarme et d'avertissement.</p>	<p>Surintensité du moteur. Défaillance du DDFT (disjoncteur de fuite à la terre).</p>	<p>Le disjoncteur doit être de capacité adéquate. Pour le disjoncteur DDFT, testez suivant les instructions de son fabricant. Assurez-vous qu'aucun éclairage ou appareil ne se trouve sur le circuit. Tension trop élevée ou trop basse.</p>
<p>Problème électrique. Reportez-vous à Séquence des voyants d'alarme et d'avertissement.</p>	<p>La pompe est peut-être trop chaude.</p>	<p>Contrôlez la tension de la ligne ; si elle est inférieure à 90 % ou supérieure à 110 % de la tension nominale, consultez un électricien qualifié. Augmentez la ventilation. Réduisez la température ambiante. Resserrez toutes les connexions électriques desserrées. Le système interne de protection contre la surcharge du moteur est ouvert. Le moteur est trop chaud. Coupez le moteur. Vérifiez que la tension est correcte. Contrôler le bon fonctionnement du rotor ou un frottement de celui-ci.</p>
<p>Problèmes mécaniques et bruit.</p>	<p>Le moteur de pompe tourne, mais fait beaucoup de bruit. Cavitation.</p>	<p>Si les conduites d'aspiration et de refoulement ne sont pas bien soutenues, l'ensemble de la pompe sera sollicité. Ne montez pas la pompe sur une plate-forme en bois ! Pour le niveau sonore le plus bas, montez solidement la pompe sur une plate-forme en béton. Matière étrangère (gravier, métal, etc.) dans le rotor de la pompe. Démontez la pompe, nettoyez le rotor, suivez les instructions d'entretien de la pompe pour le remontage. Améliorez les conditions d'aspiration. Augmentez la dimension des tuyaux. Diminuez le nombre de raccords. Augmentez la pression d'évacuation.</p>

Asistencia al cliente

HERENTALS, BÉLGICA (8:30 A.M. - 4:30 P.M.) CET

Teléfono: + 32 (0) 14 25 99 11

Sitio web: www.pentairpooleurope.com

Declaración de conformidad

Declaramos, bajo nuestra única responsabilidad, que el producto mencionado en esta declaración, al que la misma se refiere, cumple con los requisitos de protección de la Directiva del Consejo Europeo 98/37/EEG



- Norma EN60335-1, EN50178, EN61800-5-1
- Norma EN61800-3, EN61000-6-2, EN61000-6-4

Fabricante: Pentair Water Belgium bvba
Industriepark Wolfstee
Toekomstlaan 30
B-2200 Herentals - Belgium
+32 (0) 14.25.99.11
www.pentairpooleurope.com

PRECAUCIONES IMPORTANTES DE SEGURIDAD LEA Y SIGA TODAS LAS INSTRUCCIONES CONSERVE ESTAS INSTRUCCIONES

© 2011 Pentair International LLC. Todos los derechos reservados

Este documento está sujeto a cambios sin previo aviso

Marcas registradas y exención de responsabilidad: IntelliFlo® y Pentair Pool Products™ son nombres y/o marcas registradas de Pentair y/o empresas afiliadas. A menos que este indicado, los nombres y las marcas de otras partes que se puedan utilizar en este documento no son indicativas de una afiliación o un endoso entre los propietarios de estos nombres y marcas y Pentair estos nombres y marcas pueden ser las nombres o marcas registradas de esas partes u otras.

Índice

Precauciones importantes de seguridad	96
Sección 1: Descripción general de IntelliFlo®	99
Bomba de velocidad variable IntelliFlo®VS	99
Características	100
Conjunto de motor IntelliFlo®VS	100
Conjunto de motor y panel de control de IntelliFlo®VS	100
Panel de control de usuario de IntelliFlo®VS	101
Controles y LED	101
Sección 2: Manejo de IntelliFlo® VS	102
Establecer la velocidad predeterminada de la bomba	102
Ajustar la velocidad de la bomba	102
Poner la bomba en marcha	103
Parar la bomba	103
Restablecer los valores de fábrica de la bomba	103
Cebiar la bomba por primera vez o tras su mantenimiento	104
Cebiar la bomba	105
Sección 3: Mantenimiento del usuario	106
Cesta depuradora de la bomba	106
Mantenimiento de la cesta depuradora de la bomba	106
Mantenimiento del motor	107
Condiciones de invierno	108
Cebiar la bomba tras el mantenimiento	108
Sección 4: Instalación y desinstalación	109
Contenido del kit IntelliFlo®VS	109
Manejo de IntelliFlo®VS	109
Ubicación	109
Tuberías	109
Válvula antirretorno	109
Conexión eléctrica de IntelliFlo®VS	110
Especificaciones eléctricas de la bomba IntelliFlo®VS	111
Desmontaje de la bomba	111
Ensamblaje de la bomba/Sustitución del sello mecánico	112
El sello mecánico	112
Desmontaje y montaje del conjunto del impulsor	113
Sección 5: Solución de problemas	114
Avisos y alarmas	114
Secuencia de alarma y aviso del LED	115
Problemas generales para restablecer el funcionamiento de IntelliFlo®VS	116
Dimensiones de la bomba IntelliFlo®VS	140
Caudal y potencia de IntelliFlo®VS y curva de caudal de bombeo	141

Precauciones importantes de seguridad



Aviso importante:

Atención instalador: Este manual contiene información importante sobre la instalación, funcionamiento, uso y seguridad de este producto. Esta información debe entregarse al propietario y/o usuario del equipo.



AVISO — Antes de instalar este producto, lea y siga todas las instrucciones y mensajes de precaución que incluye. En caso de no seguir las instrucciones y avisos de seguridad, podrían provocarse daños, lesiones graves o incluso la muerte.



AVISO — Evitar que alguien pueda quedar atrapado:



La toma de succión conectada a la piscina o sistema de hidromasaje puede seguir aspirando con gran fuerza en caso de bloquearse. Por tanto, si sólo se usa una boquilla de succión inferior a 46 x 58 cm, una persona podría quedar atrapada en caso de bloquear con su cuerpo la toma de succión. Podría producirse un ahogamiento o una brecha abdominal. Por tanto, si utiliza tomas de succión pequeñas con esta bomba, para evitar que alguien pueda morir al quedar atrapado, instale un mínimo de dos boquillas de succión en contacto con el agua. La distancia de separación se establece en el código residencial internacional (IRC), el código empresarial internacional (IBC), y en las directrices de las autoridades de consumo respecto a riesgos de atrapamiento, fabricación de piscinas y bañeras de hidromasaje más seguras, o el estándar ANSI/IAF-7 para evitar el riesgo de atrapamiento en piscinas, piscinas infantiles, bañeras de hidromasaje y aljibes. Si no se utilizan boquillas de succión, deberán aplicarse las medidas preventivas adicionales descritas en las directrices mencionadas o en la norma ANSU/IAF-7.

Las tapas utilizadas para las boquillas de succión deberán estar aprobadas y listadas en conformidad con la edición vigente del estándar ANSI/ASME A112.19.8 sobre accesorios de succión para uso en piscinas, piscinas infantiles, bañeras y sistemas de hidromasaje. Dichas tapas deberán inspeccionarse con regularidad, y sustituirse en caso de grietas, roturas o una vez pasada la fecha de caducidad indicada en ellas por el fabricante. El flujo máximo de esta bomba deberá ser menor o igual al máximo flujo indicado por el fabricante para la tapa de la boquilla de succión. **EL USO DE TAPAS INADECUADAS O PERMITIR UTILIZAR LA PISCINA O HIDROMASAJE CUANDO LAS TAPAS ESTÉN ROTAS O AGRIETADAS, PUEDE PROVOCAR ASPIRACIÓN DEL CABELLO Y PELIGRO DE MUERTE.**



ADVERTENCIA: Riesgo de descarga eléctrica o electrocución.



Esta bomba para piscina debe instalarse por un electricista titulado o técnico de piscinas cualificado, de acuerdo con los reglamentos y ordenanzas locales. La instalación inadecuada creará un peligro de descarga eléctrica que podría provocar la muerte o lesiones graves a usuarios, instaladores u otras personas, y también daños en las cosas.

Desconectar siempre la corriente de la bomba de la piscina en el cuadro eléctrico antes del mantenimiento. En caso contrario, podrían provocarse lesiones graves o la muerte de la persona de mantenimiento, de los usuarios o de otras personas debido a descarga eléctrica.

Precauciones importantes de seguridad(continuación)



AVISO: Una temperatura del agua superior a 37,7° Celsius puede ser peligrosa para la salud. La inmersión prolongada en agua caliente puede inducir hipertermia. La hipertermia se da cuando la temperatura interna del cuerpo alcanza un nivel superior en varios grados a la temperatura normal del cuerpo (37 °C). Los síntomas de la hipertermia son, entre otros: somnolencia, aletargamiento, mareo, desmayo y aumento de la temperatura corporal interna.



Los efectos de la hipertermia son, entre otros: 1) Baja percepción del peligro inmediato. 2) Incapacidad de percibir el calor. 3) Incapacidad de reconocer la necesidad de salir del agua. 4) Incapacidad física para salir del agua. 5) Daños para el feto en mujeres embarazadas. 6) Pérdida de la consciencia con peligro de ahogamiento.



ADVERTENCIA — El uso de alcohol, drogas o medicamentos puede incrementar en gran medida el riesgo de hipertermia mortal en bañeras de hidromasaje.



ADVERTENCIA — Para reducir el riesgo de accidentes, no permita a los niños utilizar este producto sin la constante supervisión de un adulto.



ADVERTENCIA — En caso de que la unidad no vaya a utilizarse en una vivienda unifamiliar, deberá instalarse un interruptor de emergencia claramente señalizado durante el montaje. Este interruptor deberá ser fácilmente accesible para los usuarios, deberá instalarse a una distancia mínima de 1,52 m, en lugar próximo a la unidad y visible desde la misma.



ADVERTENCIA — Al regular los ciclos y tasas de flujo de la piscina, el operario deberá tener en cuenta la normativa local sobre renovación del agua y proporción de productos desinfectantes.



ADVERTENCIA — Antes de realizar el mantenimiento del sistema, desconecte la alimentación y retire el cable de comunicación de la bomba.



PRECAUCIÓN — Instalar la bomba a un mínimo de 1,5 m de la pared interna de la piscina o sistema de hidromasaje.



PRECAUCIÓN — Debe conectarse a la agarradera externa del motor un cable conductor con una sección de 8,3 mm² o superior.



PRECAUCIÓN — Esta bomba está destinada a su uso en piscinas de instalación permanente, y también puede usarse en bañeras y sistemas de hidromasaje si así viene identificada. No utilizar con piscinas desmontables. Una piscina de instalación permanente es toda aquella que se sitúa sobre el terreno o dentro del mismo, o en un edificio de manera que no pueda desmontarse para su almacenaje. Una piscina desmontable es toda aquella que puede desmontarse para su almacenaje y volverse a montar totalmente, con una longitud de hasta 5,49 m y una altura máxima de 1,07 m.



PRECAUCIÓN — Para sistemas de bañera e hidromasaje, no instalar en un compartimento exterior ni debajo del faldón de la bañera.



PRECAUCIÓN — IntelliFlo™ es capaz de generar en el sistema presiones de hasta 30 metros. El instalador debe asegurarse de que todos los componentes del sistema soporten dicha presión de 30 m. Presurizar excesivamente el sistema puede provocar daños catastróficos en las piezas o en otros productos.

Instrucciones generales de instalación

- Toda intervención deberá ser realizada por un electricista titulado, de acuerdo con todas las normativas locales y de la UE.
- Instalar de modo que se permita el drenaje del compartimento de componentes eléctricos.

Precauciones importantes de seguridad(continuación)

Instrucciones generales de instalación

⚠ AVISO — Una bomba de dimensiones incorrectas o mal utilizada en aplicaciones diferentes a las que se indican para la bomba, puede producir lesiones graves o incluso la muerte. Estos riesgos también incluyen, entre otros, descarga eléctrica, inundación, atrapamiento por succión, lesiones graves o daños materiales debidos a un fallo estructural de la bomba u otro elemento del sistema.

⚠ ADVERTENCIA — La bomba puede producir altos niveles de succión en el tramo de succión del sistema de fontanería. Estos niveles de succión pueden suponer un riesgo si una persona se acerca a las aberturas de succión. Una persona podría resultar gravemente herida por esta fuerza de succión o quedar atrapada y ahogarse. Es totalmente indispensable que los conductos de succión se instalen de acuerdo con la normativa más reciente aplicable a piscinas.



⚠ ADVERTENCIA — En entorno doméstico, este producto puede provocar interferencias de radio, en cuyo caso serían necesarias medidas adicionales para reducir las.

⚠ ADVERTENCIA — No instalar a la red IT (insulated terra) de tomas eléctricas (aplicaciones marinas)

NOTA — Si así lo exige la normativa local, la bomba deberá alimentarse con un transformador aislante o una corriente residual (RCD) cuya corriente de funcionamiento residual no exceda los 30 mA.

NOTA — Usar sólo mecanismos de protección tipo A o B.

Advertencias generales

- No abrir nunca el interior del compartimento del impulsor del motor. Hay un banco de capacitación que mantiene una carga de 230 V incluso cuando la unidad no está alimentada.
- La bomba IntelliFlo® VS no es sumergible
- La bomba IntelliFlo® VS es capaz de producir 35 m³/h ó 35 metros de cabeza de la entrega, usar con precaución al instalar y programar los límites de rendimiento de la bomba en caso de equipamiento viejo o dudoso.
- La normativa sobre conexión eléctrica puede variar según la región. Instale el equipo siguiendo todos los códigos y ordenanzas locales.
- Pulse siempre el botón "Stop" y desconecte el cable de comunicación antes del mantenimiento.

Sección 1

Descripción general

IntelliFlo® VS Bomba de velocidad variable

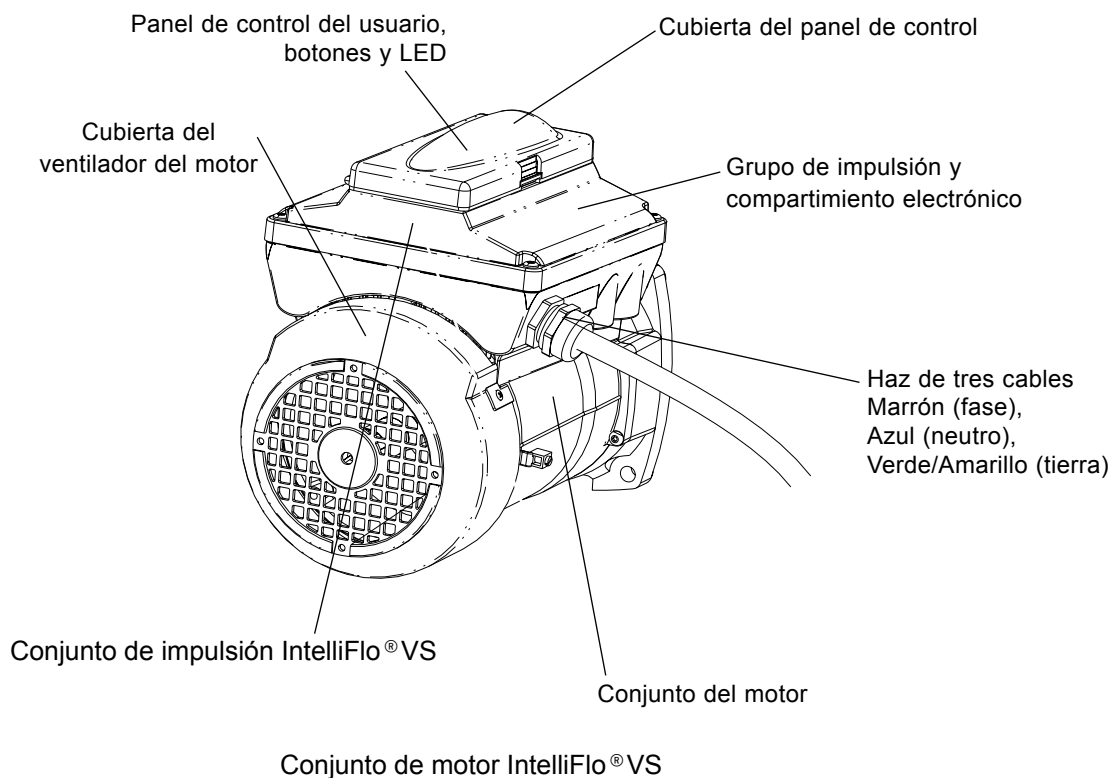
La bomba de velocidad variable IntelliFlo®VS es idónea para su uso en piscinas, hidromasaje, equipos de limpieza, saltos de agua y otras aplicaciones. Mediante el panel de control, IntelliFlo®VS puede regularse a cuatro velocidades prefijadas o establecer una velocidad específica para la bomba. El rendimiento de IntelliFlo® es superior al de todas las bombas convencionales de su clase. Sus características avanzadas de conservación de energía garantizan que su sistema de filtrado siempre funcione al mayor nivel de eficacia.

Características

- Se adapta a varios tamaños de piscina
- Evita la sobrecarga térmica
- Detecta y previene daños por subidas o bajadas de tensión
- Protege contra la congelación
- Panel de control del usuario de sencillo uso
- Botones de control de la velocidad en el panel de control del operador
- Cubeta depuradora y voluta
- Motor TEFC de sección cuadrada y máxima eficiencia energética
- Compatible con la mayoría de depuradoras, filtros y sistemas de hidromasaje
- El grupo de impulsión incluye un motor magnético de sincronización permanente
- Gran resistencia, fabricación duradera y diseño de larga duración

Conjunto de motor IntelliFlo® VS

El motor IntelliFlo, trifásico de seis polos, opera a 3.400 RPM (al 92 % de eficiencia) y a 1.000 RPM (al 90 %). El conjunto de motor es refrigerado permanentemente por un ventilador externo. El doble sellado del eje del motor y el grupo del ventilador aíslan totalmente al motor de posibles accesos de humedad. Para mayor protección, un sello deflector situado en el sello principal del eje mantiene al agua alejada de la abertura del eje en la cámara interior.



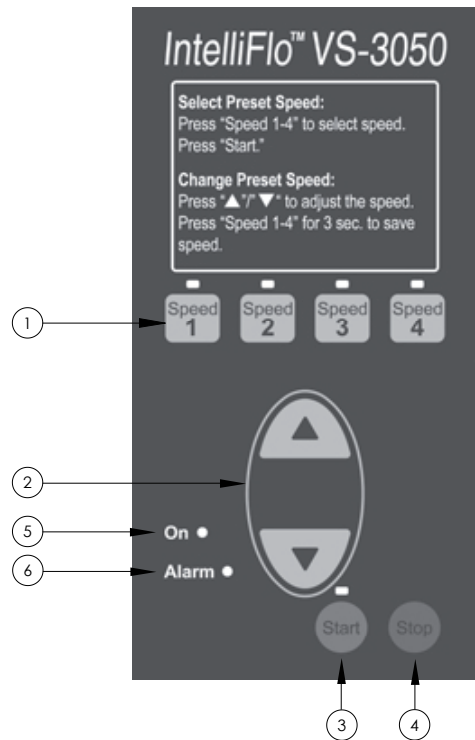
Conjunto de motor y panel de control de IntelliFlo® VS

El conjunto de motor de IntelliFlo® incluye un panel de control del usuario y los sistemas electrónicos que controlan el motor. El microprocesador de impulso controla el motor modificando la frecuencia de la corriente que éste recibe, así como cambiando el voltaje para controlar la velocidad de rotación.

- Motor magnético de sincronización permanente (PMSM)
- Alto rendimiento (3.400 RPM 92 % y 1.000 RPM 90 %)
- Excelente control de la velocidad
- Funciona a menor temperatura debido a su gran eficacia
- Misma tecnología que la utilizada en vehículos eléctricos híbridos
- Diseñada para resistir a la intemperie
- Refrigeración por ventilador totalmente integrada
- Motor trifásico
- 56 litros por minuto
- Seis polos
- Baja sonoridad

Panel de control de usuario de IntelliFlo® VS

El panel de control de usuario de IntelliFlo® VS dispone de control manual para la velocidad de la bomba. Existen cuatro botones con velocidades predeterminadas que podrán seleccionarse. El botón Arriba/Abajo sirve para regular la velocidad de la bomba. La velocidad seleccionada puede memorizarse en cualquiera de los botones de velocidad.



Controles y LED

- ① **Botones/LED Speed 1, Speed 2, Speed 3 y Speed 4:** Pulse uno de los botones de velocidad para establecer la velocidad predeterminada. Las velocidades preestablecidas de la bomba son: **Speed 1 (750 RPM), Speed 2 (1.500 RPM), Speed 3 (2.350 RPM) y Speed 4 (3.110 RPM).** Cuando se pulsa el botón de velocidad deseado, el LED se enciende. Si la bomba está en marcha y se usan los botones Arriba/Abajo para regular la velocidad, se apagará el LED del botón de velocidad.
- ② **Botón Arriba/Abajo:** Con la bomba en marcha, pulse el botón Arriba o Abajo para aumentar o reducir la velocidad de la bomba. Para guardar la nueva velocidad, pulse cualquiera de los cuatro botones de velocidad durante tres segundos, para asignar la velocidad regulada al botón seleccionado (el LED se encenderá). Pueden asignarse nuevas velocidades a todos los botones de velocidad. Cuando la bomba funcione a alguna velocidad preestablecida y se corte la corriente, la próxima vez que la bomba se encienda, funcionará a la misma velocidad.
- ③ **Botón/LED "Start":** Pone en marcha la bomba utilizando la velocidad seleccionada. Este LED está encendido cuando la bomba está en funcionamiento.
- ④ **Botón "Stop":** Pulse este botón para detener la bomba.
- ⑤ **LED "On":** Este LED de color verde se encenderá cuando IntelliFlo® VS reciba alimentación eléctrica.
- ⑥ **LED "Alarm":** Este LED se encenderá en caso de error de funcionamiento. Este LED de color verde parpadeará un número determinado de veces, dependiendo del tipo de error. Para más información sobre la secuencia de parpadeos del LED, consulte "Secuencia de alarma y aviso del LED", Sección 5.

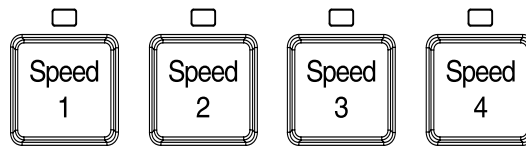
Manejo de IntelliFlo™ VS

Esta sección describe cómo usar el panel de control de la bomba IntelliFlo®4.

Establecer la velocidad predeterminada de la bomba

IntelliFlo™ VS dispone de velocidades de bombeo prefijadas. Use los botones de velocidad para seleccionarlas.

Establecer la velocidad de la bomba



1. Asegúrese de que la bomba está conectada y el LED verde de alimentación está encendido.
2. Pulse el botón de velocidad que desee (1-4) durante menos tres segundos, lo que seleccionará una velocidad preestablecida. Cuando se pulsa el botón de velocidad deseado, el LED se enciende. Las velocidades preestablecidas de la bomba son:

Botón Speed 1 - 750 RPM

Botón Speed 2 - 1.500 RPM

Botón Speed 3 - 2.350 RPM

Botón Speed 4 - 3.110 RPM

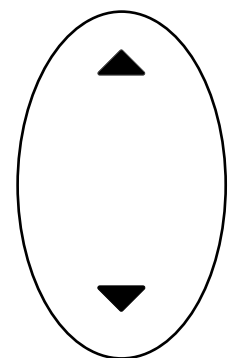
3. Pulse el botón **Start** para que la bomba comience a funcionar a la velocidad seleccionada si es necesario.

Ajustar la velocidad de la bomba

IntelliFlo® puede ajustarse para funcionar a cualquier velocidad entre 400 RPM y 3.450 RPM.

Para ajustar la velocidad de la bomba

1. Asegúrese de que la bomba está conectada y el LED verde de alimentación está encendido.
2. Pulse el botón **Start** para que la bomba comience a funcionar si no está funcionando.
3. Pulse el botón **UP/Down** para aumentar o reducir la velocidad de la bomba.
 - **Incrementos de 10 RPM:** Pulse y suelte rápidamente el botón **Up/Down** para aumentar o reducir la velocidad en incrementos de 10 RPM.
 - **Incrementos de 20 RPM:** Mantenga pulsado el botón **Up/Down** para aumentar o reducir continuamente la velocidad de la bomba.
4. **Guardar la velocidad regulada:** Para guardar la velocidad recién ajustada, mantenga pulsado el botón de velocidad deseado para memorizar la velocidad actual. Pueden asignarse nuevas velocidades a todos los botones Speed (1-4).
5. Pulse el botón **Speed** en el que desee guardar la velocidad regulada.



Botones
Arriba/Abajo

Poner la bomba en marcha

Para poner la bomba en marcha

1. Asegúrese de que la bomba está conectada y el LED verde de alimentación está encendido.
2. Pulse el botón **Start** (LED encendido) para que la bomba comience a funcionar.

Nota: Cuando la bomba funcione a alguna velocidad preestablecida y se corte la corriente, la próxima vez que la bomba se encienda, funcionará a la misma velocidad.

Parar la bomba

Para parar la bomba

- Pulse el botón **Stop** para detener el funcionamiento de la bomba.

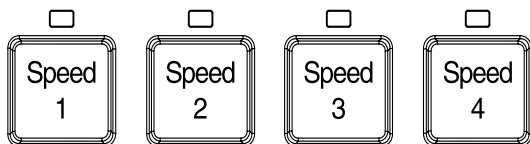
Nota: La bomba puede ponerse automáticamente en marcha de nuevo si se conecta el cable de comunicación.

Restablecer los valores de fábrica de la bomba

La bomba IntelliFlo®VS puede volver a ajustarse a los valores de fábrica. Se borrarán todas las velocidades ajustadas y memorizadas anteriormente.

Para restablecer los valores de fábrica de la bomba:

1. Asegúrese de que la bomba está conectada y el LED verde de alimentación está encendido.
2. Pulse el botón **Stop** para detener el funcionamiento de la bomba.
3. Pulse los cuatro botones **Speed** simultáneamente durante tres segundos. Desconectar el motor y volver a alimentar de corriente. Los valores de fábrica estarán establecidos.



Botones de velocidad del panel de control

Cebear la bomba por primera vez o tras su mantenimiento

Antes de utilizarse por primera vez, la bomba IntelliFlo® VS debe cebarse. Cebear una bomba significa llenar de agua la propia bomba y el conducto de succión. Este proceso expulsa el aire de todas las conducciones de succión y de la bomba. Puede tardar varios minutos en cebear la bomba, dependiendo de la profundidad del agua, el diámetro y la longitud del conducto. Es más sencillo cebear la bomba si se deja salir el aire de la bomba y los tubos. El agua no puede entrar si el aire no puede escapar. Las bombas no se mantienen cebadas, eso debe hacerlo el sistema de conductos.

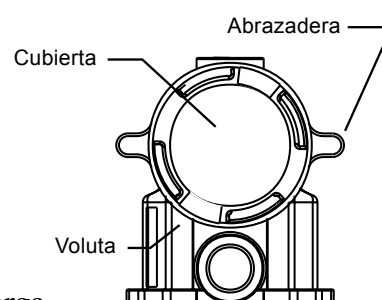
⚠ PRECAUCIÓN - Para evitar daños permanentes a la bomba IntelliFlo® VS, llene de agua la cubeta depuradora IntelliFlo® para conseguir un cebado correcto de la bomba. Si no hay agua en la cubeta depuradora, la bomba no se cebará.

- NUNCA haga funcionar la bomba sin agua. Poner la bomba en marcha sin agua podría dañar las juntas, con posibles fugas o inundaciones.
- No añadir productos químicos al sistema directamente junto a la entrada de succión de la bomba. Añadir productos químicos sin diluir puede dañar la bomba y anula la garantía.
- Abra las válvulas de paso antes de poner el sistema en marcha.
- La bomba se cebará por sí misma en un sistema de succión inundado.
- Asegúrese de que el aire pueda salir del sistema de filtro y conductos.
- La bomba IntelliFlo® VS es de velocidad regulable. Normalmente, las velocidades bajas se usan para filtrado y climatización. Las velocidades altas sirven para hidromasaje, juegos de agua y cebado de la bomba.

⚠ PRECAUCIÓN - Lea lo siguiente antes de realizar el proceso

Antes de retirar la cubierta de la bomba:

1. **Pulse el botón "Stop"** si la bomba está en funcionamiento antes de proceder.
1. **Desconecte el cable de comunicación de la bomba.**
2. **Cierre las válvulas de paso** de los conductos de succión y descarga.
3. **Libere toda la presión** del sistema de bombeo y conductos.
4. **Nunca apretar ni aflojar** la abrazadera con la bomba en funcionamiento.



⚠ ¡ADVERTENCIA! Si se está comprobando la presión de la bomba, libere toda la presión antes de retirar la abrazadera. No bloquee la succión de la bomba con la bomba en funcionamiento. Si se bloquea la succión de la bomba con alguna parte del cuerpo, podrían sufrirse lesiones graves o mortales. Los niños deberán utilizar la piscina supervisados SIEMPRE por un adulto.

⚠ ¡ADVERTENCIA! RIESGO DE INCENDIO Y QUEMADURAS - El motor de la bomba puede calentarse mucho al funcionar. Para reducir el riesgo de incendio, no deje que se acumulen hojas secas, escombros u otros materiales alrededor de la bomba. Para evitar quemaduras al manipular el motor, desconéctelo y deje que se enfríe durante 20 minutos antes de trabajar con él. IntelliFlo® VS dispone de un interruptor de desconexión interno para proteger al motor de un sobrecalentamiento durante el funcionamiento.

Cebiar la bomba por primera vez o tras su mantenimiento(Continuación)

Cebiar la bomba

- Libere toda la presión del filtro, la bomba y el sistema de canalizaciones; consulte el manual del usuario del filtro.
- En un sistema de succión inundado (fuente de agua a mayor altura que la bomba), la bomba IntelliFlo® VS se cebará por sí misma al abrir las válvulas de succión y descarga.
- Si la bomba IntelliFlo® VS no se instala en un sistema de succión inundado, desenrosque la cubierta y llene la bomba de agua.
- No lubricar la arandela de la cubierta del sifón. La arandela original del equipo contiene un lubricante interno permanente.

ATENCIÓN: Si sustituye la arandela con otra arandela sin lubricación interna, podría ser necesario aplicar un lubricante con base de silicona.

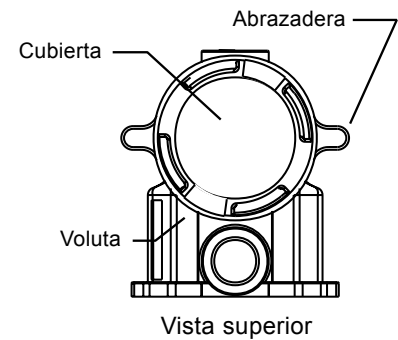
- Limpie y examine la arandela; vuélvala a instalar en la cubierta del sifón.
- Sustituya la cubierta del sifón; para apretarla, girar en el sentido de las agujas del reloj.

ATENCIÓN: Apretar la cubierta del sifón manualmente (¡sin llave!).

Ahora la bomba debería cebarse. El tiempo de cebado dependerá de la altura vertical de la succión y de la distancia horizontal de los conductos. Si la bomba no se ceba, compruebe que todas las válvulas estén abiertas, que el extremo de la tubería de succión esté sumergida en el agua, que la bomba de succión esté por debajo del nivel del agua y que no existan fugas en el conducto de succión.

Para cebar la bomba IntelliFlo® VS:

1. Gire la cubierta y la abrazadera de la bomba en el sentido contrario a las agujas del reloj y retírelas.
2. Llene de agua la cubeta depuradora de la bomba.
3. Vuelva a colocar la cubierta y la abrazadera en la cubeta depuradora. La bomba ya está lista para cebarse.
4. Compruebe que todas las conexiones eléctricas estén limpias y bien sujetas.
5. Abra la válvula de salida de aire del filtro, y aléjese del filtro.
6. Conecte el interruptor del circuito de la bomba IntelliFlo™. Compruebe que la luz de alimentación de color verde esté encendida.
7. Pulse el botón **Speed 1** para seleccionar la velocidad de 750 RPM.
8. Pulse el botón **Start** para que la bomba comience a funcionar. Use los pulsadores **Up/Down** para aumentar la velocidad en la medida necesaria para cebar la bomba.
9. Cuando salga agua de la válvula de salida de aire, cierre la válvula. El sistema debería estar retornando el agua a la piscina sin burbujas de aire, tanto en la cubeta de cabellos y pelusas como en el circuito de retorno de la piscina.
10. Use los botones **Arriba/Abajo** para regular la velocidad de funcionamiento deseada.



Mantenimiento del usuario

La siguiente información describe cómo realizar el mantenimiento de la bomba IntelliFlo®.

Cesta depuradora de la bomba

La depuradora, a veces denominado prefiltro, se encuentra frente al extremo de la bomba. Dentro de la misma hay una cesta que debe mantenerse limpia de hojas y objetos extraños en todo momento. Examinar la cesta por el registro superior para comprobar la presencia de hojas y objetos.

Independientemente del tiempo transcurrido entre cada ciclo de filtrado, es de vital importancia comprobar la cesta del prefiltro, al menos una vez por semana. La presencia de suciedad en la cesta puede reducir el rendimiento del filtro y quizá del calentado.

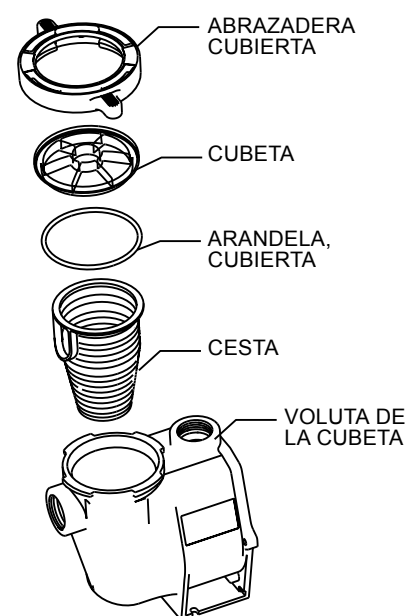
⚠ ATENCIÓN: NO abra nunca la cubeta de la depuradora si la bomba no se ceba o si ésta ha estado funcionando sin agua en la cubeta de la depuradora. En estos casos, puede que la bomba se encuentre en condiciones de alta presión de vapor y puede que contenga agua hirviendo. Abrir la bomba puede ocasionar lesiones graves. Para evitar la posibilidad de lesiones, compruebe que las válvulas de succión y descarga estén llenas y que la cubeta de la depuradora no esté caliente al tacto, y después abrir con extrema precaución.

⚠ PRECAUCIÓN: Para evitar daños en la bomba y el filtro, y para el funcionamiento correcto del sistema, limpie regularmente las cestas de la depuradora y de los skimmers.

Mantenimiento de la cesta depuradora de la bomba

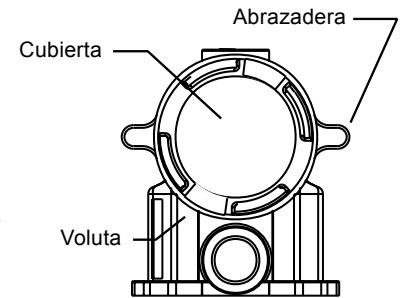
Si la bomba IntelliFlo® está instalada por debajo del nivel del agua de la piscina, cierre los conductos de retorno y de succión antes de de abrir la cubeta de cabellos y pelusas de la bomba.

1. Pulse el botón "Stop" para detener la bomba y desconéctela desde el interruptor del circuito eléctrico.
2. Libere la presión del sistema.
3. Gire la cubierta y la abrazadera en el sentido contrario a las agujas del reloj hasta que haga tope.
4. Retire la abrazadera y la cubierta.
5. Retire la cesta, tire la suciedad a la basura y enjuague la cesta con agua. Si la cesta está rota, sustitúyala.
6. Sustituya la cesta y llene de agua la cubeta de la bomba y la voluta hasta la conexión de la toma de entrada.
7. Limpie la cubierta, la arandela y la superficie de sellado de la cubeta de la bomba. Engrase la arandela con Teflon o lubricante de silicona.
8. Vuelva a colocar la cubierta y la abrazadera en la cubeta.



Mantenimiento de la cesta depuradora de la bomba (Continuación)

9. Compruebe que la arandela de la cubierta esté colocada correctamente. Presente la abrazadera y la cubierta, y luego gírelas en el sentido de las agujas del reloj hasta que las asas estén en posición horizontal, tal y como se muestra en la figura.
10. Vuelva a conectar el cable de comunicación de la bomba si es necesario.
11. Conecte el interruptor de la bomba IntelliFlo™ en el cuadro eléctrico. Vuelva a ajustar el reloj a la hora correcta.



¡ADVERTENCIA! EL FILTRO FUNCIONA A ALTA PRESIÓN. CUANDO ALGUNA PARTE DEL SISTEMA DE CIRCULACIÓN (p. ej., ANILLO DE BLOQUEO, BOMBA, FILTRO, VÁLVULAS, ETC.) HA SIDO REPARADA, EL AIRE PUEDE ENTRAR AL SISTEMA Y AUMENTAR LA PRESIÓN. EL AIRE A PRESIÓN PUEDE PROVOCAR EL ESTALLIDO DE LA CUBIERTA, LO QUE PODRÍA PROVOCAR LESIONES GRAVES, MUERTE O DAÑOS MATERIALES. PARA EVITAR ESTE POSIBLE RIESGO, SIGA LAS SIGUIENTES INSTRUCCIONES.



12. Abra la válvula manual de salida de aire de la parte superior del filtro.
13. Aléjese del filtro. Pulse el botón "Start" de la bomba.
14. Purgue el aire del filtro hasta que salga un chorro continuo de agua.
15. Cierre la válvula manual de salida de aire.

Mantenimiento del motor

1. Proteger del calor:

- Coloque el motor y el controlador donde no reciba la radiación solar directa.
- Todo lugar cerrado donde esté instalado deberá estar ventilado adecuadamente para evitar el sobrecalentamiento. Debe prestarse especial atención a la cubierta del ventilador del motor y a las aletas de refrigeración del impulsor y el motor.
- Procurar una ventilación suficiente en todas direcciones.

2. Proteger de la suciedad:

- Proteger de toda sustancia extraña y de las salpicaduras del agua.
- No almacenar (ni derramar) los productos químicos de la piscina cerca del motor.
- Evite barrer o levantar polvo cerca del motor cuando está en funcionamiento.
- Los daños provocados por la suciedad en el motor no están cubiertos por la garantía.

3. Proteger de la humedad:

- Proteger de las salpicaduras de agua de la piscina.
- Proteger de las precipitaciones atmosféricas.
- Proteger de los aspersores de riego.
- Si el motor se ha mojado, dejarlo secar antes de ponerlo en funcionamiento. No permita que la bomba funcione si se ha sumergido en agua.
- Los daños provocados por la humedad en el motor no están cubiertos por la garantía.

Nota: NO envolver el motor y el controlador con plástico o materiales que no transpiren. El motor y el controlador podrán cubrirse (pero no con plásticos), durante tormentas, para su almacenaje en invierno, etc., pero nunca durante el funcionamiento o cuando vaya a ponerse en marcha previsiblemente.

Al sustituir el motor, compruebe que el soporte del motor esté colocado correctamente para soportar el tamaño del motor a instalar.

Condiciones de invierno


Para proteger el sistema electrónico de la bomba IntelliFlo® VS en caso de heladas, la bomba comenzará a producir calor automáticamente cuando la temperatura del aire descienda de los 4,4 C. **Esta medida no garantiza la protección del sistema de fontanería contra la congelación.**

1. Si la temperatura del aire desciende de los 4,4 °C, el agua del interior de la bomba podría congelarse y causar daños. La garantía no cubre los daños por congelación.
2. Para evitar daños por congelación, siga los procedimientos siguientes.
 - Desconecte el interruptor del circuito de la bomba IntelliFlo®.
 - Drene el contenido de agua de la bomba retirando los tornillos manuales de drenaje situados al fondo de la voluta. Guarde los tornillos en la cesta de la bomba.
 - Cubra el motor para protegerlo de fuertes lluvias, nieve y hielo.
 - No envuelva el motor con plástico. Ello provocaría condensación y oxidación en el interior del motor.

Nota: En zonas de clima suave, cuando exista riesgo de heladas, ponga en marcha el filtrado toda la noche para evitar la congelación.

Cebiar la bomba tras el mantenimiento

Antes de poner en marcha el sistema, éste y la bomba deben cebarse manualmente. Compruebe que las válvulas de paso estén abiertas antes de proceder. Para cebiar la bomba IntelliFlo® VS, la cubeta depuradora debe estar llena de agua.

 **PRECAUCIÓN:** NUNCA haga funcionar la bomba sin agua. Si la bomba funciona en seco, el sello mecánico se dañará y la bomba empezará a presentar fugas. En este caso, el sello dañado deberá sustituirse. Mantenga SIEMPRE el nivel de agua adecuado en su piscina. El funcionamiento continuado en seco podría causar pérdidas de presión, lo que originaría daños en la cámara interna, el impulsor y la junta.

Para más instrucciones sobre cómo cebiar la bomba IntelliFlo™ VS, consulte "Cebiar la bomba por primera vez o tras su mantenimiento", Sección 2.

Sección 4

Instalación y desinstalación

La siguiente información describe cómo instalar la bomba IntelliFlo® VS.

Nota: Antes de instalar este producto, lea y siga todas las instrucciones y mensajes de precaución.

Contenido del kit IntelliFlo® VS

- Bomba IntelliFlo® VS

Instalar la IntelliFlo® VS

Sólo deberá instalar la bomba IntelliFlo® VS personal de mantenimiento cualificado.

Ubicación

1. Instale la bomba lo más cerca de la piscina o sistema de masaje que sea posible. Para reducir la pérdida por fricción y mejorar el rendimiento, utilice canalizaciones de succión y retorno directas y de poca longitud.
2. Instalar como mínimo a 1,5 m de la pared interior de la piscina o sistema de hidromasaje.
3. Instale la bomba a un mínimo de 0,6 m de la salida del calentador.
4. No instale la bomba a más de 2,4 m por encima del nivel del agua.
5. Instale la bomba en un lugar resguardado y bien ventilado, protegido de la humedad excesiva (lluvia, aspersores, etc.).
6. Para sistemas de bañera e hidromasaje, no instalar en un compartimento exterior ni debajo del faldón de la bañera.
7. Instale la bomba con un espacio libre trasero de al menos 15 cm, para poder retirar el motor fácilmente en caso de mantenimiento o reparación.

Tuberías

Para un buen sistema de fontanería, se recomienda un mayor diámetro de tubería. Al instalar las conexiones de entrada y salida (adaptadores macho), use sellador de roscas.

No instale codos de 90° directamente en las conexiones de salida o entrada. Toda válvula, codo o "T" que se instale en la línea de succión, no podrá estar a una distancia del extremo de la bomba inferior a cinco (5) veces el diámetro de la tubería. Así, se conseguirá un cebado más rápido y una mayor duración de la bomba.

Los sistemas de succión inundada deberán disponer de válvulas de paso en las tuberías de succión y descarga para el mantenimiento, y la válvula de paso de succión no podrá estar a una distancia de la bomba inferior a cinco (5) veces el diámetro de la tubería, como en el caso anterior.

Válvula antirretorno

Las válvulas antirretorno deberán utilizarse cuando la bomba IntelliFlo® VS se use en paralelo con otras bombas. Las bombas IntelliFlo® no pueden utilizarse en serie con otras bombas.

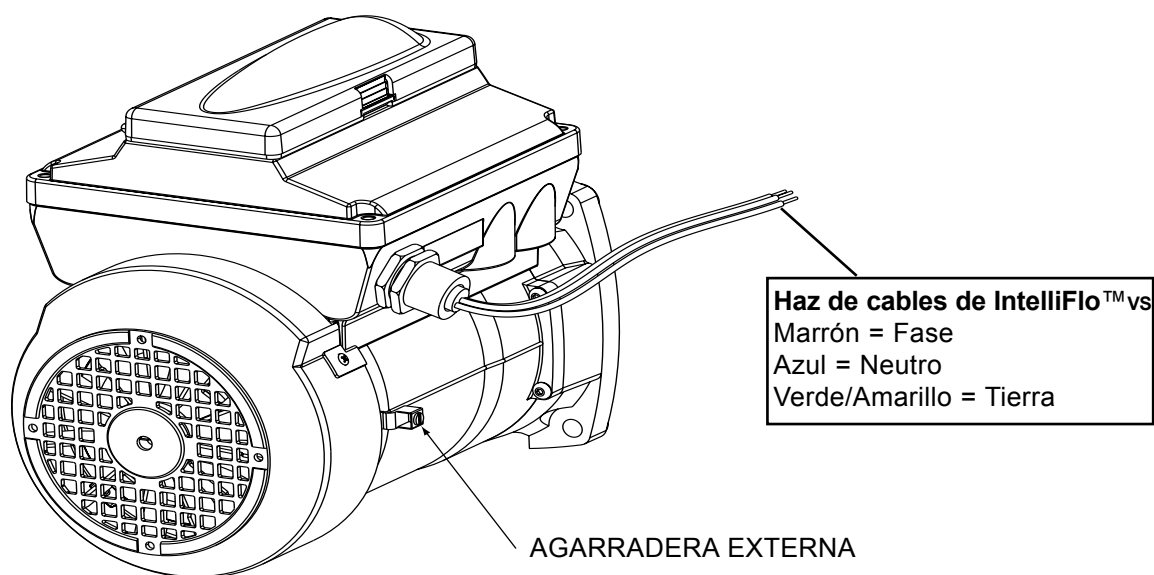
Conexión eléctrica de IntelliFlo® VS

Para conectar la IntelliFlo® a una fuente de corriente alterna:

1. Compruebe que todos los conmutadores e interruptores estén desconectados antes de conectar la electricidad al motor.
2. Compruebe que la tensión de entrada sea de 230 V.
3. Utilice cable de 3,3 mm² de sección para tiradas de hasta 30 m, y cable de 5,5 mm² de sección para tiradas superiores a 30 m. En caso de duda, utilice el cable de mayor área de sección. Un cable más grueso permitirá que el motor funcione con más desahogo y rendimiento.
4. Compruebe que todas las conexiones eléctricas estén limpias y bien sujetas.
5. Corte los cables a la longitud adecuada para que no se solapen ni se toquen al conectarse.
6. Conecte permanentemente el motor a tierra mediante el cable de tierra verde/amarillo, como se muestra en la figura inferior. Utilice el tamaño y tipo de cable adecuados según los códigos eléctricos de la UE. Compruebe que el cable de tierra esté conectado a una toma de tierra válida.
7. Conecte el motor a la estructura de la piscina de acuerdo con el código de electricidad aplicable. Use un conductor de cable de cobre macizo de 8,4 mm² de sección o superior. Extienda un cable desde la agarradera externa de conexión hasta la estructura de unión de la piscina, como se muestra más abajo.

NOTA: Cuando se ponga en marcha la bomba IntelliFlo® VS y ésta se pare utilizando un relé o temporizador, deberá utilizarse un dispositivo bipolar para aplicar y eliminar la corriente en los dos cables rojos.

IntelliFlo® está diseñada para su conexión permanente a la toma de corriente. Normalmente, la bomba debe recibir la alimentación directamente desde el cuadro eléctrico. No se requiere contactor ni arrancador de motor. IntelliFlo® puede funcionar en modo "totalmente manual", controlándola únicamente mediante la interrupción de alimentación. Cuando el impulsor está conectado, regresará al modo y estado de funcionamiento en el que estaba al cortar la corriente. Esta configuración puede ser útil si desea utilizar relés o temporizadores existentes.







Especificaciones eléctricas de la bomba IntelliFlo® VS

Protección del circuito: Dispositivo bipolar de 20 AMP en el cuadro eléctrico principal.

Entrada: 230 VAC, 50/60 Hz, 3,2 kW

Desmontaje de la bomba

 	<p>ADVERTENCIA: Desconectar siempre la corriente de la bomba de la piscina en el cuadro eléctrico y desconectar el cable de comunicación antes del mantenimiento. En caso contrario, podrían provocarse lesiones graves o la muerte de la persona de mantenimiento, de los usuarios o de otras personas debido a descarga eléctrica.</p> <p>Leer todas las instrucciones de mantenimiento antes de trabajar con la bomba.</p>
	<p>ADVERTENCIA: NO abra nunca la cubeta de la depuradora si la bomba no se ceba o si ésta ha estado funcionando sin agua en la cubeta de la depuradora. En estos casos, puede que la bomba se encuentre en condiciones de alta presión de vapor y puede que contenga agua hirviendo. Abrir la bomba puede ocasionar lesiones graves. Para evitar la posibilidad de lesiones, compruebe que las válvulas de succión y descarga estén llenas y que la cubeta de la depuradora no esté caliente al tacto, y después abrir con extremada precaución.</p>
	<p>PRECAUCIÓN: Asegúrese de no rayar ni estropear la superficie pulida de la junta del eje; el sello presentará fugas en caso de deterioro.</p>

Todas las partes móviles se encuentran en el grupo posterior de la bomba IntelliFlo®.

Herramientas necesarias:

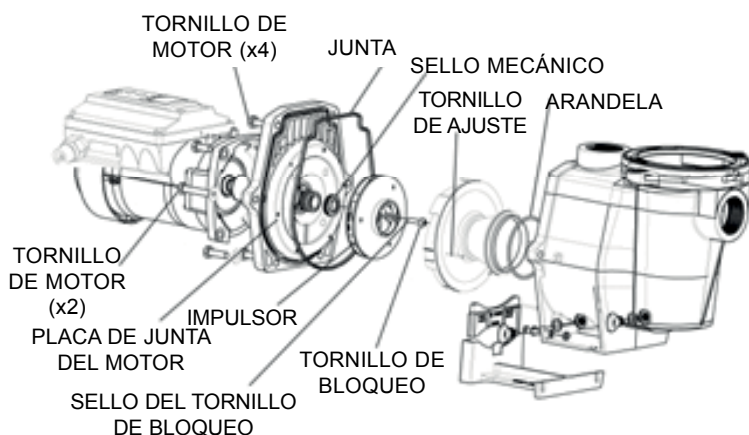
- Llave de cabeza Allen de 3/32 pulgadas.
- Llave fija de ½ pulgada.
- Llave fija de 9/16 pulgadas.
- Destornillador de cabeza plana.

Para retirar y reparar el sello mecánico de la bomba, siga los siguientes pasos:

1. Desconecte el interruptor del circuito de la bomba IntelliFlo® en el cuadro eléctrico.
2. Drene el contenido de agua de la bomba retirando los tapones de drenaje.
3. Retire los seis tornillos que sujetan el cuerpo principal de la bomba (cubeta depuradora/voluta) al conjunto trasero.
4. Separe SUAVEMENTE las dos mitades de la bomba, retirando el conjunto trasero.
5. Use una llave Allen de 3/32 pulgadas para aflojar los dos tornillos de sujeción situados en el difusor.
6. Sujete firmemente el impulsor y retire el tornillo de bloqueo del impulsor con un destornillador de estrella. El tornillo tiene la rosca invertida y se afloja en la dirección de las agujas del reloj.
7. Use un destornillador de cabeza plana para sujetar el eje del motor. El eje del motor tiene una ranura en su extremo a la que se puede acceder desde el centro de la cubierta del ventilador.

Desmontaje de la bomba (Continuación)

8. Para destornillar el impulsor de su eje, gire el impulsor en el sentido contrario a las agujas del reloj.
9. Retire la parte giratoria del sello mecánico del impulsor.
10. Retire los cuatro tornillos de la junta del motor, utilizando una llave de 9/16 pulgadas.
11. Coloque la placa del motor boca abajo en una superficie plana y saque con un golpecito el soporte del muelle de carbono.
12. Limpie la junta de sellado, selle el compartimiento y el eje del motor.



Ensamblaje de la bomba/Sustitución del sello mecánico

1. Al instalar un sello mecánico sustitutivo, utilice sellante de silicona en la parte metálica antes de presionar para introducir la junta, como se muestra en la figura.
2. Antes de instalar la parte giratoria del sello en el impulsor, compruebe que éste está limpio. Use agua y un jabón suave para lubricar la parte interior de la junta. Introduzca el sello mecánico a presión en el impulsor con los pulgares, y limpie las superficies de cerámica y carbono con un paño limpio.
3. Vuelva a montar la placa del motor en el motor.
4. Engrase la rosca del eje del motor y atornille el impulsor en el eje del motor.
5. Ajuste el tornillo de bloqueo del impulsor (en el sentido contrario a las agujas del reloj).
6. Vuelva a montar el difusor sobre la placa del motor. Compruebe que los salientes de plástico y los orificios de los tornillos estén alineados.
7. Engrase la arandela del difusor y selle la placa del motor antes del montaje.
8. Engrase las roscas de los tornillos y monte el conjunto del motor en el cuerpo de la cubeta depuradora mediante los dos (2) tornillos pasantes para una alineación correcta. No apriete del todo los tornillos pasantes hasta que los seis (6) tornillos estén colocados y roscados a mano.
9. Llene de agua la bomba.
10. Reinstale la abrazadera de plástico y la cubierta de la bomba.
11. Ceba la bomba.

El sello mecánico

El sello del eje consta principalmente de dos partes, una pieza giratoria y un sello cerámico. La bomba no requiere otro mantenimiento que un cuidado adecuado, aunque ocasionalmente podría ser necesario sustituir la junta de sellado del eje por deterioro.

Nota: La cara pulida y rugosa del sello podrían verse dañadas si no se tratan con cuidado.

Desmontaje y montaje del conjunto del impulsor

Para desmontar el panel de control y el impulsor del conjunto del motor de IntelliFlo®:

1. Compruebe que todos los conmutadores e interruptores estén desconectados antes de retirar el impulsor.
2. Abra la cubierta del panel de control.
3. Extraiga los tres tornillos de estrella, asegurando el impulsor al conjunto del motor de la manera que se muestra en la figura.

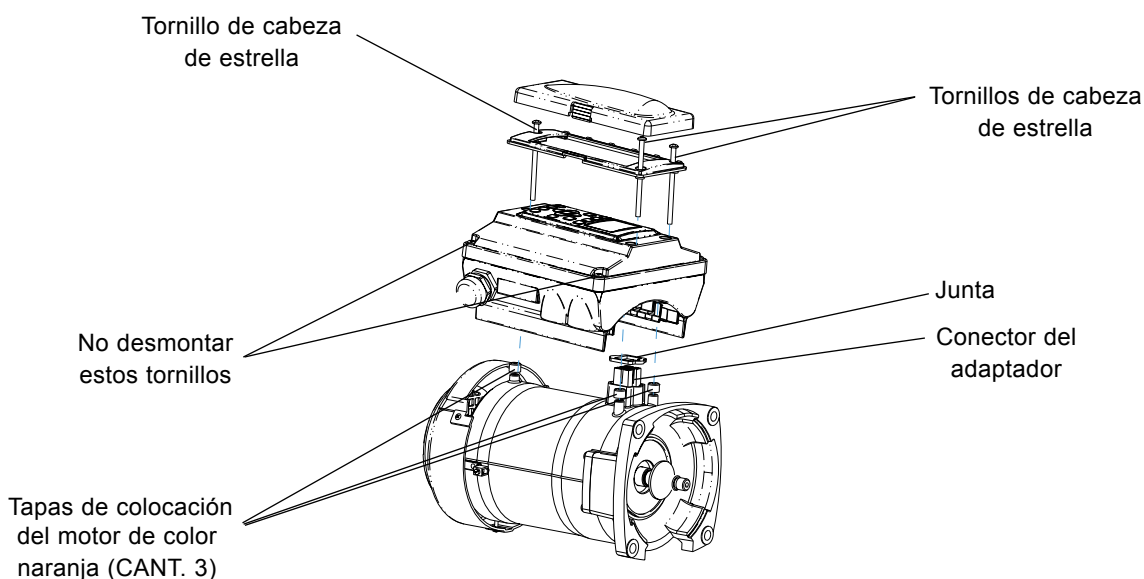
PRECAUCIÓN: PARA EVITAR RIESGOS ELÉCTRICOS, NO RETIRE LOS PRECINTOS DE GARANTÍA DEL CONJUNTO DEL MOTOR

4. Levante el conjunto del impulsor y retírelo del adaptador del motor situado en la parte superior del conjunto del motor.

Nota: Tenga cuidado de no quitar la junta situada entre el impulsor y el motor; es esencial para que no entre humedad en el impulsor ni en el motor. Sustituya la junta si resulta dañada. No vuelva a montar sin junta o con la junta dañada.

Para instalar el conjunto del impulsor sobre el conjunto del motor IntelliFlo®:

1. Compruebe que todos los conmutadores e interruptores estén desconectados antes de instalar el impulsor.
2. Compruebe que esté colocada la junta entre el impulsor y el motor. Es esencial para que no entre humedad en el impulsor ni en el motor. Sustituya la junta si resulta dañada. No vuelva a montar sin junta o con la junta dañada.
3. Compruebe que las tres (3) tapas de color naranja de colocación del motor estén colocadas antes de montar el impulsor en el conjunto del motor.
4. Alinee el conjunto del impulsor con el adaptador del motor y acomode el impulsor en el conjunto del motor.
5. Sujete firmemente el conjunto del impulsor con los tres tornillos de estrella.



El despiece ilustrado puede ser encontrado en:

www.pentairpooleurope.com

Solución de problemas

 **PRECAUCIÓN:** Antes de instalar este producto, lea y siga todas las instrucciones y mensajes de precaución.

Avisos y alarmas

IntelliFlo® VS indica posibles alarmas y avisos mediante el parpadeo de los LED luminosos del panel de control. Por ejemplo, en caso de aviso de "Temperatura del impulsor", el LED parpadeará dos veces, luego se apagará, luego parpadeará dos veces... Esta secuencia se repetirá hasta que finalice la situación correspondiente.

- **Estado de aviso:** Si se da una situación e aviso, la bomba seguirá funcionando, aunque a menor velocidad. El LED de color verde ejecutará una secuencia de parpadeos para indicar qué tipo de alarma o aviso se ha iniciado.
- **Estado de alarma:** En caso de situación de alarma, el impulsor de la bomba dejará de funcionar. El LED de color rojo parpadeará continuamente para indicar que existe una alarma. Los LED de alarma volverán a la normalidad cuando cese la situación.

Secuencia de alarma y aviso del LED

Número de parpadeos del LED	Alarma	Descripción	Acción
2	Aviso de temperatura del impulsor	Temperatura del impulsor excesiva	<ol style="list-style-type: none"> 1. Compruebe que el ventilador del motor tiene un área de ventilación adecuada. 2. Detenga el motor y deje enfriar. 3. Haga funcionar el motor a más velocidad para mejorar el flujo de aire de refrigeración.
5	Alarma desconocida	Fallo eléctrico	<ol style="list-style-type: none"> 1. Ejecute un ciclo para reiniciar la bomba. 2. Sustituya el impulsor.
6	Alarma de temperatura del impulsor	Temperatura del impulsor excesiva	<ol style="list-style-type: none"> 1. Compruebe que el ventilador del motor tenga un área de ventilación adecuada. 2. Haga funcionar el motor a más velocidad para mejorar el flujo de aire de refrigeración.
7	Alarma de falta de alimentación	Bajo voltaje de alimentación	Procure una alimentación de voltaje adecuado.
8	Alarma de subida de tensión	Corriente del impulsor excesiva	<ol style="list-style-type: none"> 1. Examine si hay sobrecarga en el sistema hidráulico/mecánico. 2. Corte el suministro de energía y averigüe si el motor gira libremente. 3. Sustituya el impulsor.
9	Alarma de subida de voltaje	Voltaje excesivo en el circuito del impulsor	<ol style="list-style-type: none"> 1. Cambiar rápidamente de una velocidad a otra puede causar un voltaje excesivo en el circuito de corriente continua del impulsor. 2. Procure una alimentación de voltaje adecuado.

Problemas generales para restablecer el funcionamiento de IntelliFlo® VS

Utilice la siguiente información general para resolver posibles problemas de su bomba IntelliFlo® VS.

Nota: Desconecte la fuente de alimentación de la bomba antes de cualquier mantenimiento o reparación.

Problema	Posible causa	Corrección
Fallo de la bomba. Consulte la secuencia de alarma y aviso del LED.	La bomba no se puede cebar - Entra aire en la succión. La bomba no se puede cebar - No hay suficiente agua. Cesta depuradora atascada. Cesta depuradora de la bomba defectuosa.	Compruebe los conductos de succión y las zapatas o retenes de todas las válvulas de paso. Compruebe la cubierta de la cubeta depuradora y asegúrese de que la junta de la cubierta esté bien colocada. Compruebe el nivel de agua para asegurarse de que el skimmer no está absorbiendo aire. Compruebe que los conductos de succión, la bomba, la depuradora y la voluta estén llenos de agua. Limpie la cubeta depuradora de la bomba. Sustituya la junta.
Capacidad reducida y/o burbujas. Consulte la secuencia de alarma y aviso del LED.	El aire se acumula o se filtra en la línea de succión. Impulsor atascado. Cesta depuradora atascada.	Compruebe los conductos de succión y las zapatas o retenes de todas las válvulas de paso. Desconecte la bomba de la fuente de alimentación. Retire los (6) tornillos que sujetan la voluta a la placa de sellado. Deslice el motor y la placa de sellado para retirarlos de la voluta. Limpie la suciedad del impulsor. Si no puede eliminar la suciedad, siga los siguientes pasos. 1. Retire el difusor y la arandela. 2. Retire el tornillo de bloqueo de rosca invertida y la arandela. 3. Desmonte, limpie y vuelva a montar el impulsor. 4. Vuelva a montar el tornillo de bloqueo y la arandela. Vuelva a montar el difusor y la arandela. Vuelva a montar el motor y la placa de sellado sobre la voluta. Vuelva a montar los (6) tornillos de sujeción de la placa y la voluta, asegurándolos firmemente. Limpie la trampilla de succión.

Problemas y corrección (Continuación)

Problema	Posible causa	Corrección
El interruptor de protección se acciona repetidamente. Consulte la secuencia de alarma y aviso del LED.	Corriente del motor excesiva. Fallo interruptor de protección de tierra.	El magnetotérmico debe tener la capacidad adecuada. Para mecanismos GFCI, realice la comprobación según las instrucciones del fabricante. Asegúrese de que en el mismo circuito no existen otros dispositivos o iluminación. Voltaje demasiado alto o demasiado bajo.
Problema eléctrico. Consulte la secuencia de alarma y aviso del LED.	Puede que la bomba esté demasiado caliente.	Compruebe el voltaje de la línea, si es inferior al 90 % o superior al 110 % nominal, consulte con un electricista titulado. Incremente la ventilación. Reduzca la temperatura ambiental. Apriete toda conexión del cableado que pueda estar suelta. El protector interno de sobrecarga de terminal del motor está abierto. El motor funciona a demasiada temperatura. Pare el motor. Compruebe que el voltaje sea adecuado. Compruebe el correcto estado del impulsor o si existen rozaduras.
Problemas mecánicos y ruido.	El motor de la bomba funciona pero hace mucho ruido. Cavitación.	Si los conductos de succión y descarga no tienen el apoyo adecuado, el conjunto de la bomba se verá sujeto a vibraciones. ¡No montar en plataforma de madera! Montar y asegurar en una base de hormigón para obtener un funcionamiento silencioso. Materias extrañas (gravilla, metal, etc.) en el impulsor de la bomba. Desmonte la bomba, limpie el impulsor y siga las instrucciones de mantenimiento para volverla a montar. Mejore las condiciones de succión. Aumente el diámetro del conducto. Reduzca el número de conexiones. Incremente la presión de descarga.

Assistenza clienti

HERENTALS, BELGIO (dalle 8:30 A.M. alle 4:30 P.M.) CET

Telefono: + 32 (0) 14 25 99 11

Sito Web: www.pentairpooleurope.com

Dichiarazione di conformità

Dichiariamo, sotto la nostra esclusiva responsabilità, che i prodotti identificati in questa dichiarazione e a cui in essa viene fatto riferimento, sono conformi ai requisiti di protezione della Direttiva del Consiglio 98/37/EEG



- Standard EN60335-1, EN50178, EN61800-5-1
- Standard EN61800-3, EN61000-6-2, EN61000-6-4

Produttore: Pentair Water Belgium bvba
Industriepark Wolfstee
Toekomstlaan 30
B-2200 Herentals - Belgium
+32 (0) 14.25.99.11
www.pentairpooleurope.com

IMPORTANTI ISTRUZIONI SULLA SICUREZZA LEGGERE E ATTENERSI A TUTTE LE ISTRUZIONI SEGUENTI CONSERVARE LE PRESENTI ISTRUZIONI

© 2011 Pentair International LLC. Tutti i diritti riservati.

Il presente documento è soggetto a modifiche senza preavviso.

Informazioni legali e note sui marchi: IntelliFlo® e Pentair Pool Products™ è marchi e/o registrato marchi di Pentair e/o il relativo affiliated aziende negli Stati Uniti e/o altre contee. A meno che celebre, i nomi e le marche di altre che possano essere usati in questo documento non sono ha usato indicare un'affiliazione o un'approvazione fra i proprietari di questi nomi e marche e Pentair quelli i nomi e le marche possono essere i marchi o i registrato depositati di quelli partiti o altri.

Contenuti

Precauzioni importanti per la sicurezza	119
Sezione 1: Panoramica su IntelliFlo® VS	122
Pompa a velocità variabile IntelliFlo® VS	122
Caratteristiche	123
Motore della pompa IntelliFlo® VS	123
Pannello di controllo ed unità IntelliFlo® VS	123
Pannello di controllo operatore IntelliFlo® VS	124
Controlli e LED	125
Sezione 2: Funzionamento di IntelliFlo® VS	125
Impostazione della velocità predefinita della pompa	125
Regolazione della velocità della pompa	125
Avvio della pompa	126
Arresto della pompa	126
Ripristino delle impostazioni predefinite dalla fabbrica	126
Adescamento della pompa per il primo utilizzo o in seguito ad intervento di assistenza.....	127
Adescamento della pompa	128
Sezione 3: Manutenzione da parte dell'utente	129
Cestello del prefiltro della pompa	129
Manutenzione del cestello del prefiltro della pompa	129
Manutenzione del motore	130
Messa a riposo invernale	131
Adescamento della pompa in seguito ad intervento di assistenza	131
Sezione 4: Installazione e rimozione	132
Contenuto del kit IntelliFlo® VS	132
Installazione di IntelliFlo® VS	132
Posizionamento	132
Tubatura	132
Valvola di controllo	132
Collegamento elettrico di IntelliFlo® VS	133
Caratteristiche elettriche di IntelliFlo® VS	134
Smontaggio della pompa	134
Riassemblaggio della pompa / Sostituzione della guarnizione	135
Sostituzione della tenuta meccanica dell'albero	135
Rimozione ed installazione dell'albero	136
Sezione 5: Risoluzione dei problemi	137
Condizioni di allarme e avvisi	137
Sequenza LED di avvisi e allarmi	138
Risoluzione dei problemi di carattere generale di IntelliFlo® VS	139
Dimensioni della pompa IntelliFlo®	140
Curva prestazionale della pompa IntelliFlo® Flow e Power vs Flow	141

PRECAUZIONI IMPORTANTI PER LA SICUREZZA



Avvertenza importante:

Avvertenza per l'installatore: la presente guida contiene istruzioni importanti per l'installazione, il funzionamento e l'utilizzo sicuro di questo prodotto. Tali informazioni devono pertanto essere affidate al proprietario e/o all'utente di questa apparecchiatura.



ATTENZIONE — Prima di installare il prodotto leggere con cura tutte le istruzioni e le avvertenze riportate. La mancata osservanza delle istruzioni e delle avvertenze sulla sicurezza potrebbe produrre conseguenze quali danni alle cose, lesioni personali o morte.



ATTENZIONE — Evitare il pericolo di risucchio:



Se ostruita, la bocchetta di aspirazione connessa alla pompa di una piscina o di una spa può generare una potente forza di aspirazione. Per questo motivo, se l'impianto prevede una sola presa di aspirazione di dimensioni inferiori a 46 x 58 cm, chiunque si trovasse ad ostruire con il proprio corpo la presa di aspirazione verrebbe risucchiato e trattenuto alla presa stessa. In questo caso esiste il rischio di annegamento o di gravi lacerazioni cutanee. Nel caso in cui fosse necessario installare bocchette di aspirazione di piccole dimensioni, per evitare il pericolo di risucchio con conseguente rischio di morte, installare almeno due diverse bocchette sotto il livello dell'acqua. Tali bocchette andranno separate attenendosi alle prescrizioni contenute nell'IRC (International Residential Code), nell'IBC (International Business Code) e nel CPSC (Consumer Products Safety Council), con particolare riferimento alle Guidelines for Entrapment Hazards: "Making Pools and Spas Safer" o "ANSI/IAF-7 Standard for Suction Entrapment Avoidance in Swimming Pools, Wading Pools, Spas, Hot Tubs and Catch Basins". Nel caso in cui l'impianto non preveda bocchette di aspirazione, dovranno essere adottate le ulteriori misure di prevenzione dettate dal CPSC Guidelines o dall'ANSI/IAF-7.

Le coperture utilizzate sulle bocchette di aspirazione devono essere di tipo approvato ed elencate nell'edizione aggiornata dell' "ANSI/ASME A112.19.8 Standard covering Suction Fittings for Use in Swimming Pools, Wading Pools, Spas and Hot Tubs". Tali coperture dovranno essere periodicamente esaminate ed eventualmente sostituite se rotte o installate da un tempo superiore a quello di scadenza prescritto dal produttore. La velocità massima di flusso esercitata dalla pompa dovrà essere minore o uguale alla velocità massima di flusso indicata dal produttore sulla copertura della bocchetta di aspirazione. SE SI UTILIZZANO COPERTURE NON OMOLOGATE O SI CONSENTE L'ACCESSO A PISCINE E SPA IN CUI SONO PRESENTI COPERTURE DANNEGGIATE O MALFUNZIONANTI, C'È IL RISCHIO CHE I CAPELLI DEI BAGNANTI POSSANO RESTARE IMPIGLIATI ESPONENDO QUEST'ULTIMI AL PERICOLO DI MORTE.



ATTENZIONE — Rischio di scossa elettrica o corto circuito.



La pompa per piscina deve essere installata da un elettricista autorizzato o qualificato, ovvero da un installatore di prodotti per piscina qualificato, così come previsto dalla normativa localmente vigente. Un'installazione non corretta determina il rischio di scosse elettriche che potrebbero provocare la morte o gravi lesioni personali agli utenti della piscina, agli installatori e a terzi, oltre che danni alle cose.

Scollegare sempre la pompa dal circuito di alimentazione mediante l'interruttore principale, prima di iniziare qualsiasi intervento di riparazione sulla pompa. Il mancato rispetto di questa precauzione potrebbe determinare il pericolo di morte o di gravi lesioni personali per il tecnico dell'assistenza, gli utenti della piscina o terzi, a causa delle scariche elettriche.

PRECAUZIONI IMPORTANTI PER LA SICUREZZA (continua)

⚠ ATTENZIONE



Una temperatura dell'acqua superiore a 37°C può costituire un pericolo per l'utente. Un'immersione prolungata in acqua calda può provocare ipertermia. L'ipertermia si verifica quando la temperatura interna del corpo supera di diversi gradi la normale temperatura del corpo umano (37°C). I sintomi avvertiti in questi casi sono: sonnolenza, apatia, vertigini, svenimento e febbre.

Gli effetti prodotti dall'ipotermia sono: 1) Incoscienza di pericoli imminenti. 2) Incapacità di percepire il calore. 3) Incapacità di comprendere che occorre uscire dalla vasca. 4) Incapacità fisica ad uscire dalla vasca. 5) Danni al feto nelle donne incinta. 6) Stato di incoscienza che può portare al pericolo di annegamento.

⚠ ATTENZIONE — L'uso di alcol, droghe o farmaci può significativamente aumentare il rischio di ipertermia letale all'interno di vasche idromassaggio.

⚠ ATTENZIONE — Per ridurre il pericolo di lesioni, non consentire ai bambini di utilizzare il prodotto, se non sotto stretta supervisione.

⚠ ATTENZIONE — Le installazioni in ambienti diversi dalle abitazioni monofamiliari devono prevedere un interruttore di emergenza ben segnalato. L'interruttore deve essere facilmente accessibile agli occupanti e deve trovarsi ad una distanza non inferiore a 1,5 metri, visibile nelle immediate adiacenze dell'unità.

⚠ ATTENZIONE — Nell'impostare i turni di esercizio e le velocità di flusso, l'operatore dovrà osservare le normative locali e dovrà inoltre tenere conto delle quantità di sostanze disinfettanti da immettere.

⚠ ATTENZIONE — Prima di avviare la manutenzione dell'impianto, disattivare l'interruttore principale (OFF) e rimuovere il cavo di collegamento elettrico dalla pompa.

⚠ IMPORTANTE — Installare la pompa ad una distanza minima di 1,5 m dalla parete interna della vasca idromassaggio o della piscina.

⚠ IMPORTANTE — Collegare al connettore elettrico del motore un conduttore non inferiore a No. 8 AWG.

⚠ IMPORTANTE — Questa pompa è destinata all'uso con piscine ad installazione permanente, oltre che con vasche idromassaggio e spa se specificamente indicato. Non utilizzare con piscine riponibili. Per piscina ad installazione permanente si intende una vasca interrata o costruita sul terreno o in un edificio tale che non può essere rimossa o immagazzinata. Per piscina riponibile si intende una vasca prodotta in modo tale da poter essere smontata e riposta nel proprio stato originale, le cui dimensioni massime sono di 5,49 m di larghezza e 1,07 m di altezza.

⚠ IMPORTANTE — Le pompe a servizio di vasche idromassaggio e spa non devono essere installate all'interno di una copertura per esterni o sotto la protezione della vasca o della spa, a meno che non sia diversamente indicato dalla targhetta.

⚠ IMPORTANTE — IntelliFlo™ è in grado di produrre pressioni negli impianti fino a 30 metri. L'installatore deve accertarsi che tutti i componenti dell'impianto siano omologati per resistere ad almeno 30 metri. Se si sottopone l'impianto ad una pressione non supportata, è possibile che si verifichi la rottura dei componenti con conseguenti danni ingenti alle proprietà.

Istruzioni generali per l'installazione

- Tutte le fasi dell'installazione devono essere eseguite da un elettricista qualificato, nel rispetto delle normative Europee e di ogni altra legge localmente vigente.
- Installare per predisporre il drenaggio del compartimento destinato ai componenti elettrici.

PRECAUZIONI IMPORTANTI PER LA SICUREZZA (continua)

Istruzioni generali per l'installazione

⚠ ATTENZIONE — Le pompe di dimensioni errate, installate o utilizzate in ambienti operativi diversi da quelli cui sono destinate, possono causare il pericolo di morte o di gravi lesioni personali. Questi rischi possono includere, con esemplificazione non esaustiva, scariche elettriche, incendio, allagamento, risucchio, danni alle cose o pericolo di lesioni dovute a cedimenti strutturali della pompa o di altro componente del sistema.



⚠ ATTENZIONE — La pompa può determinare un'elevata forza di risucchio in prossimità delle bocchette del sistema di scarico. Tale forza di risucchio potrebbe costituire un serio rischio per una persona che dovesse trovarsi a stretta distanza dalle bocchette di aspirazione dell'acqua: esiste infatti il pericolo che la persona possa riportare lesioni dovute alla forza di aspirazione o ne possa restare intrappolata e così annegare. È di assoluta importanza che le bocchette di aspirazione vengano installate nel rispetto di quanto previsto dalla normativa più recente a disciplina delle installazioni di piscine.



⚠ ATTENZIONE — In un ambiente domestico, questo prodotto potrebbe provocare interferenze radio tali da richiedere misure correttive.

⚠ ATTENZIONE — Non installare su circuiti con alimentazioni IT (messa a terra isolata), come quelli del settore nautico.

NOTA — Se previsto dalle normative locali, la pompa deve essere alimentata attraverso un trasformatore isolante o un interruttore differenziale con corrente operativa residuale non superiore a 30 mA.

NOTA — Utilizzare solo RCD/GFCI tipo A o B.

Avvertenze:

- Non aprire mai la parte interna del motore o la sua copertura. All'interno è situato un condensatore che trattiene una carica di 230 V CA, anche quando l'unità è scollegata dall'alimentazione.
- La pompa IntelliFlo® VS non è di tipo ad immersione.
- La pompa IntelliFlo® VS ha una capacità di 35 m³/hr o di 3,5 bar; durante le fasi di installazione e programmazione fare attenzione a regolare le prestazioni della pompa in modo che non risultino eccessive rispetto a quelle di componenti obsoleti o di cui non sono chiare le specifiche.
- Le normative vigenti in materia di impianti elettrici possono variare fra i diversi stati. Installare i singoli componenti nel pieno rispetto di tutte le direttive e le ordinanze dettate in materia nello stato in cui viene eseguito l'impianto.
- Premere sempre il pulsante Stop e disconnettere il cavo di alimentazione prima di un intervento di manutenzione.

Pompa a velocità variabile IntelliFlo™ VS

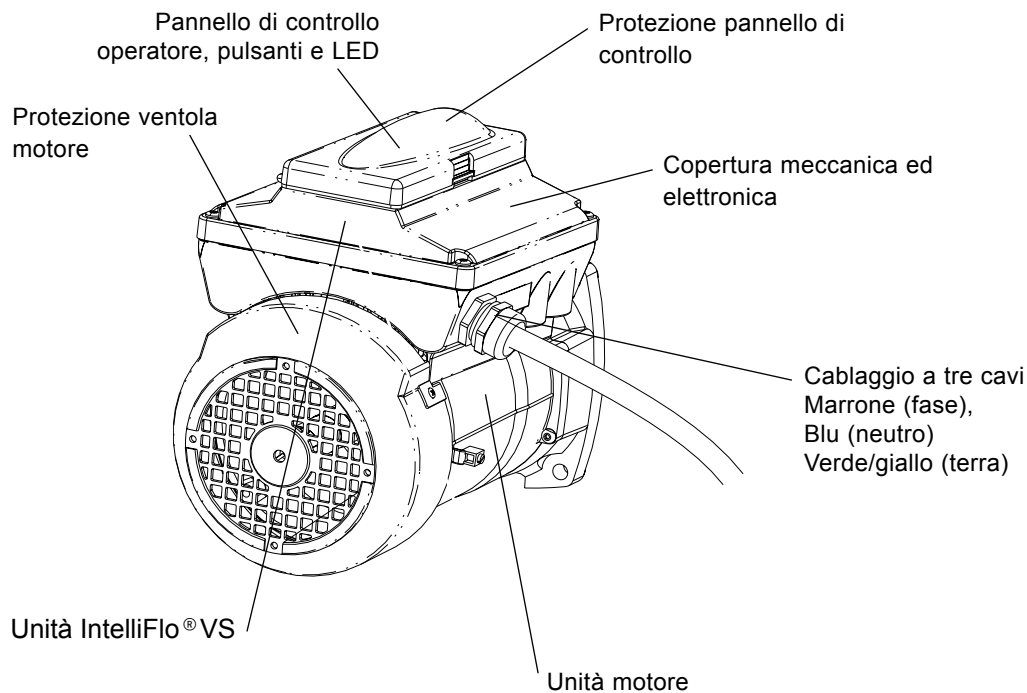
La pompa a velocità variabile IntelliFlo® VS è perfetta per piscine, spa, sistemi di pulizia, cascate e altre applicazioni per il trattamento delle acque. Tramite pannello di controllo, IntelliFlo® VS consente di selezionare una delle 4 velocità preimpostate o di regolare la velocità della pompa su un valore specifico. IntelliFlo® garantisce prestazioni superiori rispetto a tutte le altre pompe convenzionali della categoria. Funzionalità avanzate di risparmio energetico permettono un funzionamento del sistema di filtraggio con efficienza massima.

Caratteristiche

- Adattabile a piscine di diverse dimensioni
- Prevenzione di sovraccarichi termici
- Rilevamento e prevenzione di danni conseguenti a sovra- e sotto-tensione
- Protezione dal congelamento
- Semplicità di utilizzo del pannello di controllo operatore
- Pulsanti di regolazione della velocità nel pannello di controllo operatore
- Filtro a cestello e solenoide integrati
- Motore TEFC a flangia quadrata ad elevatissima efficienza energetica
- Compatibilità con la maggior parte di sistemi di pulizia, filtri e spa a getto
- L'unità dispone di un motore magnetico sincrono permanente
- Progettato per un utilizzo intensivo e di lunga durata

Motore della pompa IntelliFlo® VS

Il motore trifase a sei poli funziona a 3.400 giri al minuto con efficienza del 92% e a 1.000 giri al minuto con efficienza del 90%. Una ventola esterna garantisce il costante raffreddamento dell'unità motore. Le guarnizioni doppie sull'albero motore e sulla ventola sigillano completamente il motore dall'umidità esterna. Inoltre, un'unità paraspruzzi davanti alla guarnizione principale dell'albero protegge dall'acqua il bocchettone dell'asse nella flangia.



Motore della pompa IntelliFlo® VS

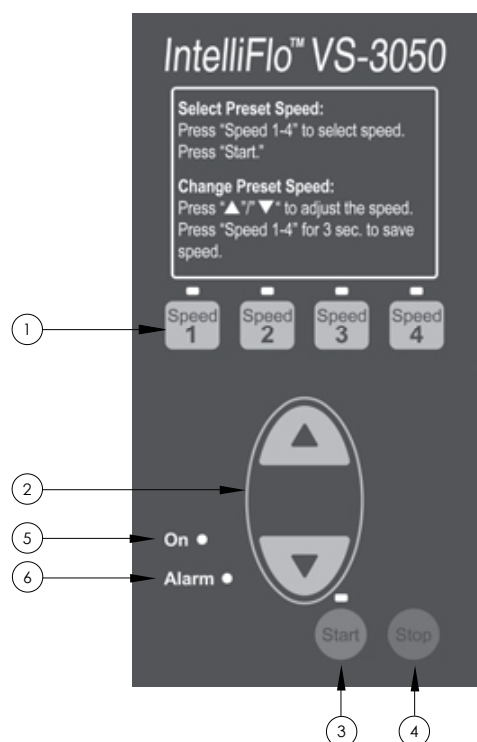
Unità IntelliFlo® VS e pannello di controllo

L'unità IntelliFlo® è composta da un pannello di controllo per l'operatore e dai circuiti elettronici di sistema per la regolazione del motore. Il microprocessore dell'unità consente di controllare la velocità di rotazione del motore modificando frequenza e tensione della corrente.

- Motore magnetico sincrono permanente (PMSM)
- Efficienza elevata (92% a 3.400 giri al minuti e 90% a 1.000 giri al minuto)
- Controllo velocità di livello superiore
- Funzionamento anche a basse temperature grazie all'efficienza elevata
- Utilizzo della tecnologia delle valvole elettriche ibride
- Progettato per resistere all'aperto
- Raffreddamento con ventola completamente coperta
- Motore trifase
- Flangia quadrata 56
- Sei poli
- Basso livello di rumore

Pannello di controllo operatore IntelliFlo® VS

Il pannello di controllo operatore della pompa IntelliFlo® VS contiene i controlli manuali che consentono di regolare la velocità della pompa. È possibile selezionare uno dei quattro pulsanti con velocità preimpostata. Il pulsante Up/Down consente di regolare la velocità della pompa. È possibile memorizzare la velocità selezionata e assegnarla a uno dei quattro pulsanti velocità.



Controlli e LED

- ① **Pulsanti/LED Speed 1, Speed 2, Speed 3 e Speed 4:** premere uno dei pulsanti velocità per selezionare la velocità preimpostata desiderata per la pompa. Le velocità preimpostate per la pompa sono: Il LED del pulsante velocità si accende premendo il pulsante corrispondente. Se la pompa è in funzione, premendo il pulsante Up/Down per regolare la velocità, i LED di velocità si spengono.
- ② **Pulsante Up/Down:** con la pompa in funzione, utilizzare i pulsanti Up o Down per aumentare o diminuire la velocità della pompa. Per memorizzare la nuova velocità della pompa, premere uno dei quattro pulsanti velocità per tre secondi così da assegnare la velocità al pulsante selezionato (il LED si accende). È possibile assegnare quattro velocità personalizzate ai pulsanti velocità. Se la pompa sta utilizzando una velocità personalizzata al momento dello spegnimento, all'accensione successiva la pompa si attiverà alla stessa velocità.
- ③ **Pulsante/LED Start:** avvia la pompa alla velocità preimpostata o personalizzata. Il LED acceso indica che la pompa è attiva.
- ④ **Pulsante Stop:** premere questo pulsante per arrestare la pompa.
- ⑤ **LED On:** questo LED di colore verde indica che la pompa IntelliFlo® VS è in funzione.
- ⑥ **LED Alarm:** questo LED si accende al verificarsi di una condizione di errore. A seconda del numero di volte che il LED lampeggia, viene indicata una particolare condizione di errore. Per la sequenza di lampeggi del LED Alarm, fare riferimento a “Sequenza LED di allarme o avvisi” nella Sezione VS.

Sezione 2

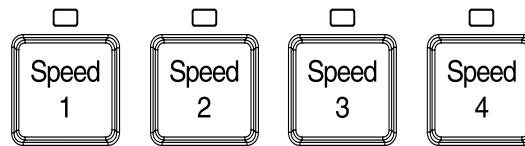
Utilizzo di IntelliFlo® VS

Questa sezione descrive l'utilizzo del pannello di controllo della pompa IntelliFlo® VS.

Modifica della velocità preimpostata della pompa

IntelliFlo® VS funziona ad una delle velocità preimpostate. Utilizzare i pulsanti velocità per selezionare le velocità preimpostate.

Per impostare la velocità della pompa



1. Accertarsi che la pompa sia accesa e che il LED di colore verde sia illuminato.
2. Premere il pulsante velocità desiderato da 1 a 4 per un tempo inferiore a tre secondi per selezionare la velocità preimpostata. Quando si preme un pulsante velocità si accende il LED. I pulsanti e le velocità preimpostati sono:

Pulsante Speed 1 - 750 RPM

Pulsante Speed 2 - 1500 RPM

Pulsante Speed 3 - 2350 RPM

Pulsante Speed 4 - 3110 RPM

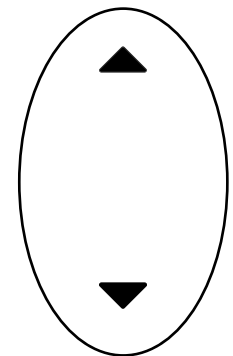
3. Premere il pulsante **Start** per avviare la pompa alla velocità selezionata.

Regolazione della velocità della pompa

IntelliFlo® è regolabile per velocità comprese tra 400 e 3450 giri al minuto.

Per regolare la velocità della pompa

1. Accertarsi che la pompa sia accesa e che il LED di colore verde sia illuminato.
2. Premere il pulsante **Start** per avviare la pompa se è spenta.
3. Premere il pulsante **UP/Down** per far aumentare o diminuire la velocità della pompa.
 - **Variazioni di 10 giri al minuto:** Premere e rilasciare rapidamente il pulsante **Up/Down** per aumentare o diminuire la velocità di 10 giri al minuto.
 - **Variazioni di 20 giri al minuto:** Tenere premuto il pulsante **Up/Down** per aumentare o diminuire ininterrottamente la velocità della pompa.
4. **Memorizzazione della velocità regolata:** Per memorizzare la velocità della pompa così impostata, tenere premuto uno dei pulsanti velocità, assegnandolo alla velocità selezionata. È possibile assegnare quattro diverse velocità per la pompa ai pulsanti velocità da 1 a 4.
5. Premere il pulsante **Speed** assegnato alla velocità regolata.



Pulsante Up/Down

Avviamento della pompa

Per avviare la pompa

1. Accertarsi che la pompa sia accesa e che il LED di colore verde sia illuminato.
2. Premere il pulsante **Start** (LED acceso) per avviare la pompa.

Nota:

Arresto della pompa

Per arrestare la pompa

- Premere il pulsante **Stop** per fermare la pompa.

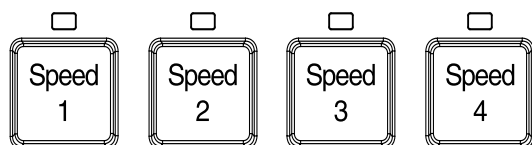
Nota: la pompa può riavviarsi automaticamente quando si riconnette il cavo di alimentazione.

Ripristino delle impostazioni predefinite dalla fabbrica della pompa

È possibile ripristinare le impostazioni predefinite dalla fabbrica nella pompa IntelliFlo® VS. Tutte le velocità personalizzate eventualmente memorizzate saranno cancellate.

Per ripristinare le impostazioni predefinite dalla fabbrica della pompa:

1. Accertarsi che la pompa sia accesa e che il LED di colore verde sia illuminato.
2. Premere il pulsante **Stop** per fermare la pompa.
3. Tenere premuti i quattro pulsanti **Speed** simultaneamente per tre secondi. Spegnerne l'unità e riaccenderla. Verranno applicate le impostazioni predefinite.



Pulsanti velocità del pannello di controllo

Adescamento della pompa per il primo utilizzo o a seguito di manutenzione

Prima di avviare la pompa IntelliFlo® VS per la prima volta è necessario eseguire l'adescamento. Questa operazione consiste nel riempire d'acqua la pompa e il tubo di aspirazione. L'adescamento libera dall'aria le tubature di aspirazione e la pompa. Può richiedere alcuni minuti, a seconda della profondità dell'acqua e del diametro e lunghezza delle tubature. Per facilitare l'adescamento della pompa occorre lasciare uscire tutta l'aria dalla pompa e dalle tubature. Per poter fare entrare l'acqua è infatti indispensabile che esca l'aria presente. L'adescamento non è mantenuto dalle pompe, ma dalle tubature della piscina.

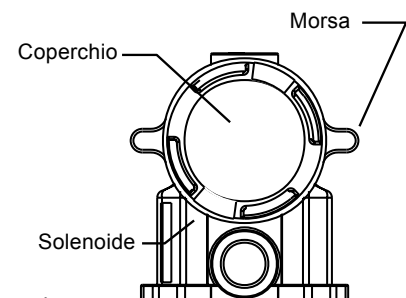
⚠ IMPORTANTE - Per evitare danni permanenti alla pompa IntelliFlo™ VS, prima di avviarla riempire con acqua l'alloggiamento del prefiltro IntelliFlo™ in modo da consentire il corretto adescamento della pompa. Senza acqua nel prefiltro la pompa non potrà eseguire l'adescamento.

- NON attivare MAI la pompa a secco. Il funzionamento a secco della pompa può danneggiare le guarnizioni, provocando perdite e allagamenti.
- Non aggiungere sostanze chimiche direttamente davanti al tubo di aspirazione. L'aggiunta di sostanze chimiche non diluite può danneggiare la pompa e rendere nulla la garanzia.
- Aprire le valvole a saracinesca prima di avviare il sistema.
- La pompa eseguirà l'adescamento da sola se utilizzata in un sistema di aspirazione allagato.
- Accertarsi della completa fuoriuscita dell'aria dal filtro e dal sistema di tubature.
- IntelliFlo® VS è una pompa a velocità variabile. Di solito le velocità più basse sono adatte a filtraggio e riscaldamento. È possibile impiegare le velocità più alte per i getti di una spa, per il trattamento delle acque e per l'adescamento.

⚠ IMPORTANTE - Prima di avviare la procedura, leggere quanto segue

Prima di rimuovere il coperchio della pompa:

1. **Premere il pulsante Stop** se la pompa è in funzione prima di procedere oltre.
1. **Staccare il cavo di alimentazione dalla pompa.**
2. **Chiudere le valvole a saracinesca** nei tubi di aspirazione e di scarico.
3. **Rilasciare completamente la pressione** dalla pompa e dal sistema di tubature.
4. **Non stringere o allentare mai la morsa** quando la pompa è in funzione.



⚠ ATTENZIONE: durante la prova di pressione della pompa, rilasciare completamente la pressione prima di rimuovere la morsa.

Non bloccare il tubo di aspirazione quando la pompa è in funzione. Se una parte del corpo blocca il tubo di aspirazione, è possibile che si verifichino lesioni gravi o letali. I bambini che nuotano in piscina devono SEMPRE essere supervisionati da vicino da un adulto.

⚠ ATTENZIONE: RISCHIO DI INCENDIO E USTIONI - Il motore della pompa può raggiungere temperature elevate durante il funzionamento. Per ridurre il rischio di incendio, non lasciare che foglie, detriti o altri materiali si accumulino nelle adiacenze del motore della pompa. Per evitare ustioni nel maneggiare il motore, spegnere il motore e lasciarlo raffreddare per almeno 20 minuti prima di iniziare l'intervento. IntelliFlo® VS dispone di un interruttore interno automatico di spegnimento che protegge il motore dai danni provocati dal calore eccessivo durante il funzionamento.

Adescamento della pompa per il primo utilizzo o a seguito di manutenzione (continua)

Adescamento della pompa

- Rilasciare completamente la pressione da filtro, pompa e sistema di tubature; consultare il manuale del filtro.
- In un sistema di aspirazione allagato (livello dell'acqua superiore rispetto alla pompa), la pompa IntelliFlo® VS effettuerà automaticamente l'adescamento all'apertura delle valvole di aspirazione e di scarico.
- Se la pompa IntelliFlo® VS non è in un sistema di aspirazione allagato, rimuovere la morsa e il coperchio; riempire la pompa con acqua.
- Non lubrificare la guarnizione del coperchio. La guarnizione originale contiene un lubrificante interno permanente.

AVVERTENZA: se si dovesse sostituire la guarnizione con una senza lubrificante interno, potrebbe essere necessaria l'applicazione di un lubrificante a base di silicone.

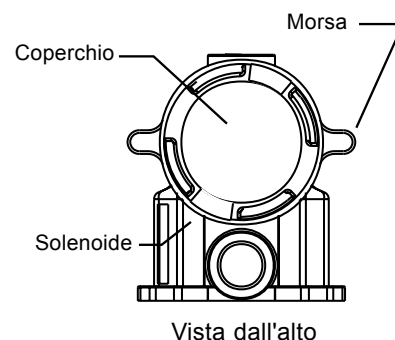
- Pulire e controllare la guarnizione; reinstallarla nel coperchio.
- Posizionare la morsa; girare in senso orario per stringerlo.

AVVERTENZA: Stringere sempre la morsa della pompa con le mani (non usare chiavi inglesi).

A questo punto la pompa è pronta per eseguire l'adescamento. La durata dell'adescamento dipende dall'altezza di aspirazione e dalla lunghezza orizzontale delle tubature di aspirazione. Se la pompa non esegue l'adescamento, assicurarsi che tutte le valvole siano aperte, che il tubo di aspirazione sia nell'acqua, che l'aspirazione della pompa sia sotto il livello dell'acqua e che non ci siano perdite nelle tubature di aspirazione.

Per adescare la pompa IntelliFlo® VS:

1. Girare la morsa e il coperchio della pompa in senso antiorario fino al punto di arresto, quindi rimuoverli.
2. Riempire il prefiltro con acqua.
3. Reinstallare la morsa e il coperchio della pompa sul prefiltro. La pompa è pronta per l'adescamento.
4. Controllare che tutti i collegamenti elettrici siano puliti e ben stretti.
5. Aprire la valvola di sfogo dell'aria e allontanarsi dal filtro.
6. Accendere la pompa IntelliFlo® mediante l'interruttore principale. Accertarsi che la luce verde di accensione sia attiva.
7. Premere il pulsante **Speed 1** per selezionare la velocità della pompa a 750 giri al minuto.
8. Premere il pulsante **Start** per avviare la pompa. Tramite il pulsante **Up/Down** aumentare la velocità secondo le esigenze per adescare la pompa.
9. All'uscita dell'acqua dalla valvola di sfogo dell'aria, chiudere la valvola. Il sistema è ora in grado di avviare il ricircolo dell'acqua verso la piscina, senza più bolle d'aria nel prefiltro che raccoglie capelli e lanugine e ne impedisce il ritorno in piscina.
10. Premendo i pulsanti **Up/Down**, regolare la velocità operativa secondo le esigenze.



Sezione 3

Manutenzione da parte dell'utente

Le informazioni che seguono illustrano gli interventi di manutenzione per la pompa IntelliFlo®.

Prefiltro della pompa

Il prefiltro, detto anche "scatola di raccolta di capelli e lanugine", è posto sulla parte frontale della pompa. Al suo interno si trova un cestello che deve essere tenuto sempre pulito da foglie e detriti. Osservando il cestello dall'alto è possibile controllare la presenza di foglie e detriti.

Indipendentemente dalla pulizia del filtro, è importante controllare il cestello del prefiltro almeno una volta a settimana. Un cestello sporco ridurrà l'efficienza del filtro e con ogni probabilità aumenterà anche il riscaldamento.

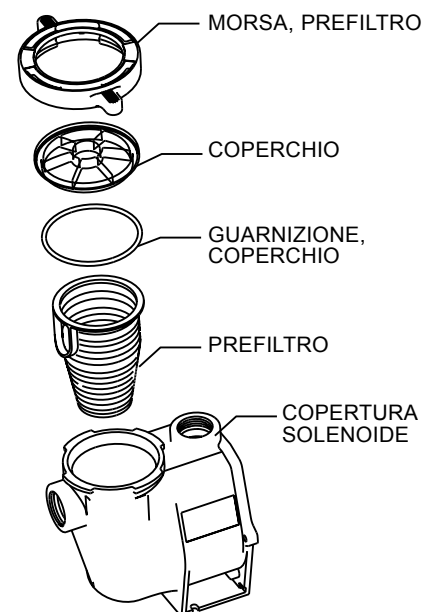
⚠ ATTENZIONE — **NON** aprire il prefiltro qualora la pompa non riuscisse a completare l'adescamento, o in caso di funzionamento della pompa senza acqua nel prefiltro. In questi casi infatti è possibile che si verifichi un aumento di pressione dovuto al vapore con conseguente presenza di acqua rovente all'interno della pompa. L'apertura della pompa in questo momento potrebbe causare gravi lesioni personali. Per evitare questo rischio, accertarsi che le valvole di aspirazione e di scarico siano aperte e che il prefiltro sia freddo al tatto, quindi aprirlo con la massima cautela.

⚠ ATTENZIONE — Per evitare danni alla pompa e al filtro e per il corretto funzionamento del sistema, pulire con regolarità i cestelli del prefiltro e degli skimmer.

Manutenzione del prefiltro della pompa

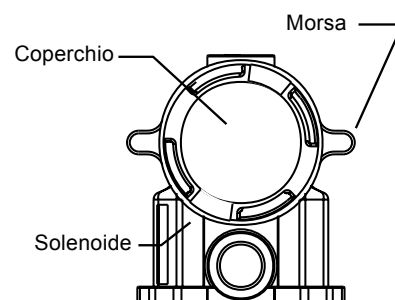
Se la pompa IntelliFlo® è installata al di sotto del livello dell'acqua della piscina, chiudere le tubature di ritorno e di aspirazione prima di aprire la scatola di raccolta sulla pompa.

1. Premere il pulsante Stop per arrestare la pompa e scollegarla dall'alimentazione mediante l'interruttore principale.
2. Ridurre la pressione nel sistema.
3. Girare la morsa e il coperchio della pompa in senso antiorario fino al punto di arresto.
4. Rimuovere la morsa e il coperchio.
5. Rimuovere il cestello, svuotarne i detriti nella spazzatura e sciacquarlo. Se il cestello presenta crepe, sostituirlo.
6. Riposizionare il cestello e riempire con acqua prefiltro e solenoide fino alla porta di ingresso.
7. Pulire il coperchio, la guarnizione e la superficie sigillante del prefiltro. Ungere la guarnizione con Teflon o con un lubrificante al silicone.
8. Reinstallare il coperchio posizionando la morsa e il coperchio sul prefiltro.



Manutenzione del prefiltro della pompa (continua)

9. Assicurarsi che la guarnizione del coperchio sia posizionata correttamente. Posizionare la morsa e il coperchio e farli girare in senso orario fino a portare le maniglie in posizione orizzontale come illustrato.
10. Ricollegare il cavo di alimentazione alla pompa, se precedentemente rimosso.
11. Attivare l'alimentazione mediante l'interruttore principale. Regolare l'orologio della piscina con l'ora esatta.



ATTENZIONE — IL FILTRO FUNZIONA A PRESSIONE ELEVATA. QUANDO UNA PARTE QUALUNQUE DEL SISTEMA DI CIRCOLO, AD ES. L'ANELLO DI SERRAGGIO, LA POMPA, IL FILTRO, LE VALVOLE, ECC. VIENE SOTTOPOSTO A MANUTENZIONE, POTREBBE ENTRARE DELL'ARIA NEL SISTEMA ED ESSERE PRESSURIZZATA. L'ARIA PRESSURIZZATA POTREBBE FAR SALTARE IL COPERCHIO, CON RISCHIO DI LESIONI GRAVI, MORTE O DANNI A OGGETTI E STRUTTURE. PER EVITARE TALE RISCHIO, RISPETTARE LE SEGUENTI ISTRUZIONI.

12. Aprire la valvola manuale di sfogo dell'aria sopra il filtro.
13. Allontanarsi dal filtro. Premere il pulsante Start sulla pompa.
14. Lasciar fuoriuscire l'aria dal filtro fino ad avere un flusso d'acqua regolare.
15. Chiudere la valvola manuale di sfogo dell'aria.

Manutenzione del motore

1. **Protezione dal calore:**
 - Proteggere il motore e il pannello di controllo dal sole.
 - Qualsiasi ambiente chiuso deve essere ben ventilato per prevenirne il surriscaldamento. Porre particolare attenzione alla protezione della ventola del motore e alle alette di raffreddamento tra unità e motore.
 - Garantire una buona ventilazione trasversale.
2. **Protezione dallo sporco:**
 - Proteggere da materiali esterni o schizzi d'acqua.
 - Non conservare (o versare) i trattamenti cimici per piscina in prossimità del motore.
 - Non spazzare o sollevare la polvere in prossimità del motore quando è in funzione.
 - I danni al motore causati dallo sporco annullano la garanzia del motore.
3. **Protezione dall'umidità:**
 - Proteggere da schizzi d'acqua provenienti dalla piscina.
 - Proteggere dalle intemperie.
 - Proteggere dagli irrigatori a spruzzo.
 - Se un motore si bagna, attendere che si asciughi prima di attivarlo. Non avviare la pompa se sommersa dall'acqua.
 - I danni al motore causati dall'acqua annullano la garanzia del motore.

Nota:

In caso di sostituzione del motore, accertarsi che il relativo supporto sia posizionato correttamente per le dimensioni del nuovo motore da installare.

Preparazione per l'inverno

Per proteggere i circuiti elettronici della pompa IntelliFlo®VS dai danni del gelo, la pompa si attiverà automaticamente quando la temperatura dell'aria scende sotto i 4,5°C, producendo calore interno. **Tale funzionalità non è pensata per proteggere le tubature del sistema dal gelo.**

1. Se la temperatura dell'aria scende sotto i 4,5°C l'acqua nella pompa potrebbe congelarsi, danneggiandola. La garanzia non copre i danni provocati dal gelo.
2. Per evitare danni provocati dal gelo, procedere nel modo seguente:
 - Scollegare la pompa dal circuito di alimentazione mediante l'interruttore principale.
 - Svuotare la pompa dell'acqua rimuovendo i due tappi di scarico ad avvitamento posizionati in fondo al solenoide. Conservare i tappi nel cestello della pompa.
 - Coprire il motore per proteggerlo da pioggia intensa, neve e ghiaccio.
 - Non avvolgere il motore nella plastica. Questa azione provocherebbe condensa e ruggine all'interno del motore.

Nota: in zone di clima mite, in caso di condizioni di gelo temporaneo, avviare l'apparecchiatura di filtraggio per tutta la notte al fine di evitare il congelamento.

Adescamento della pompa dopo la manutenzione

Prima dell'avvio del sistema, è necessario adescare manualmente la pompa e il sistema. Accertarsi di aver riaperto le valvole prima dell'accensione. Per adescare IntelliFlo®VS, il prefiltro deve essere riempito con acqua.



IMPORTANTE — NON far funzionare la pompa a secco. In caso di funzionamento a secco della pompa, la guarnizione meccanica verrà danneggiata e la pompa inizierà a perdere. In tal caso sarà necessario sostituire la guarnizione danneggiata. Mantenere SEMPRE il giusto livello di acqua nella piscina. Il funzionamento prolungato in queste condizioni potrebbe provocare una perdita di pressione, con conseguenti danni all'alloggiamento della pompa, alla girante e alla guarnizione.

Per le istruzioni relative all'adescamento della pompa IntelliFlo®VS, fare riferimento alla sezione 2, "Adescamento della pompa per il primo utilizzo o a seguito di manutenzione".

Installazione e rimozione

Di seguito viene illustrata la procedura di installazione della pompa IntelliFlo® VS.

Nota: prima di installare il prodotto, leggere con cura tutte le istruzioni e le avvertenze riportate.

Contenuto del kit IntelliFlo® VS

- Pompa IntelliFlo® VS

Installazione di IntelliFlo® VS

È necessario che l'installazione della pompa IntelliFlo™ VS sia effettuata esclusivamente da personale qualificato esperto.

Posizionamento

1. Installare la pompa il più vicino possibile alla piscina o spa. Per ridurre le perdite di carico e migliorare l'efficienza, utilizzare raccordi di aspirazione brevi e diretti.
2. Installare la pompa ad una distanza minima di 1,5 m dalla parete interna della vasca idromassaggio o della piscina.
3. Installare la pompa ad una distanza minima di 0,6 m dal bocchettone del riscaldamento.
4. Non installare la pompa a più di 2,4 m al di sopra del livello dell'acqua.
5. Installare la pompa in un luogo protetto e ben ventilato, al riparo da fonti di eccessiva umidità, come ad es. pioggia, irrigatori a spruzzo, ecc.
6. Le pompe a servizio di vasche idromassaggio e spa non devono essere installate all'interno di una copertura per esterni o sotto la protezione della vasca o della spa.
7. Installare la pompa lasciando almeno 15 cm di spazio nel retro, in modo da agevolare la rimozione del motore per manutenzione e riparazione.

Tubature

Per realizzare impianti di migliore qualità, utilizzare tubature da piscina di grandi dimensioni. Nell'installazione dei giunti di ingresso e di uscita (adattatori maschio) utilizzare un sigillante per filettature.

Non installare tubi a gomito direttamente nell'ingresso e nell'uscita della pompa. In ogni caso, non installare mai valvole, gomiti o T nella linea di aspirazione ad una distanza dalla pompa inferiore al diametro del tubo di aspirazione moltiplicato per 5. Questo consentirà alla pompa un adescamento più rapido e di maggiore durata.

I sistemi di aspirazione allagati dovrebbero essere forniti di valvole a saracinesca installate sui tubi di aspirazione e di scarico per la manutenzione; comunque la valvola di aspirazione a saracinesca non deve essere installata ad una distanza dalla pompa inferiore al diametro del tubo di aspirazione moltiplicato per 5, come descritto in precedenza.

Valvola di controllo

È necessario utilizzare le valvole di controllo utilizzando IntelliFlo® VS in parallelo ad altre pompe. Le pompe IntelliFlo® non possono essere utilizzate in serie con altre pompe.

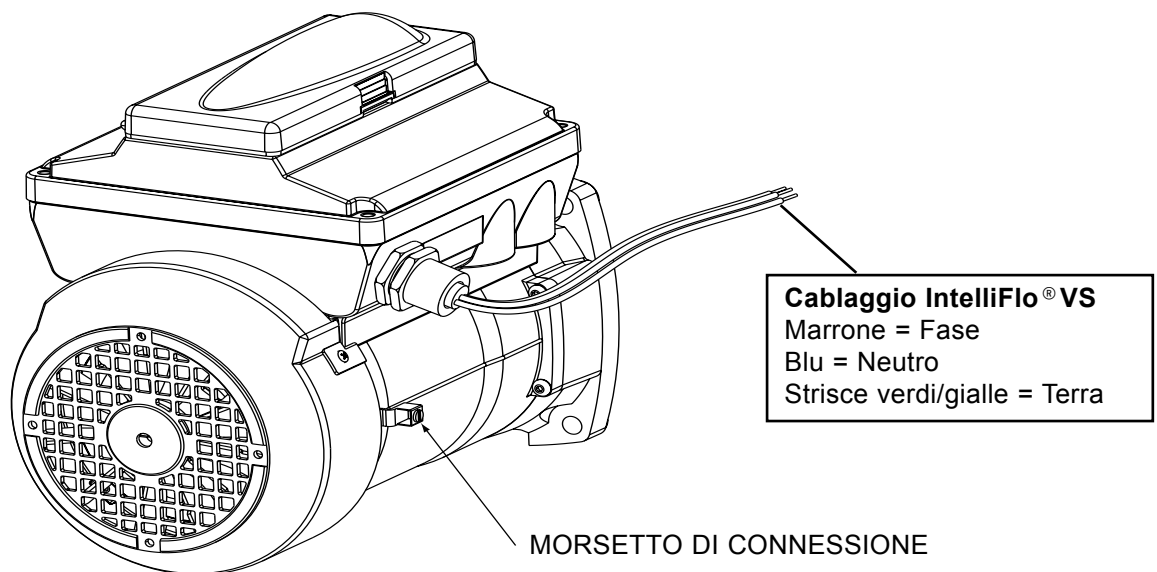
Allacciamento di IntelliFlo® VS alla rete elettrica

Per collegare IntelliFlo® ad una sorgente di corrente elettrica alternata:

1. Accertarsi che tutti gli interruttori e i commutatori siano staccati prima di allacciare il motore alla rete elettrica.
2. Accertarsi che la tensione di cablaggio sia di 230 VCA.
3. Utilizzare diametri di 2,050 mm per cavi fino 30 m e diametro di 2,59 mm per cavi più lunghi di 30 m. Nel dubbio utilizzare cavi di diametro maggiore. Lo spessore maggiore consente al motore di funzionare a temperature più basse e con efficienza migliore.
4. Controllare che tutti i collegamenti elettrici siano puliti e ben stretti.
5. Tagliare i fili alla lunghezza giusta per evitare sovrapposizioni o contatti una volta collegati.
6. Collegare il motore a terra in permanenza utilizzando il cavo di terra verde/giallo, come mostrato di seguito. Utilizzare cavi del giusto tipo e della giusta dimensione come indicato dai codici elettrici UE. Accertarsi che il cavo di terra sia collegato ad una messa a terra.
7. Connettere il motore alla struttura della piscina rispettando le prescrizioni del National Electrical Code. Utilizzare un conduttore di diametro 3,26 mm in rame o uno più grande. Passare un cavo dal morsetto di connessione esterno alla struttura di connessione della piscina, come illustrato di seguito.

NOTA: all'avvio o all'arresto della pompa IntelliFlo® VS con un relé o un timer, utilizzare un dispositivo a due poli per collegare o scollegare dalla rete elettrica entrambi i cavi di alimentazione rossi.

IntelliFlo® è stata progettata per un collegamento permanente alla rete. Di solito la pompa è alimentata direttamente attraverso l'interruttore centrale. Non è necessario un contattore o starter. IntelliFlo® può funzionare in modalità "autonoma" avviandosi e arrestandosi al collegamento o allo scollegamento dell'alimentazione. Quando l'unità è alimentata torna alla modalità e allo stato di funzionamento in cui si trovava al momento dello scollegamento dell'alimentazione. Tale configurazione è preferibile in caso di necessità di utilizzo di timer o relé preesistenti.




Specifiche elettriche IntelliFlo® VS

Protezione dei circuiti: dispositivo a due poli da 20 AMP nel pannello elettrico.

Ingresso: 230 V CA, 50/60 Hz, 3,2 kW

Smontaggio della pompa

- ⚠ ATTENZIONE** — Scollegare sempre la pompa dal circuito di alimentazione mediante l'interruttore principale, prima di iniziare qualsiasi intervento di riparazione sulla pompa. Il mancato rispetto di questa precauzione potrebbe determinare il pericolo di morte o di gravi lesioni personali per il tecnico dell'assistenza, gli utenti della piscina o terzi, provocato dalle possibili scariche elettriche.

 Leggere tutte le istruzioni relative alla riparazione prima di iniziare un intervento sulla pompa.

⚠ ATTENZIONE — **NON** aprire il prefiltro qualora la pompa non riuscisse a completare l'adescamento o in caso di funzionamento della pompa senza acqua nel prefiltro. In questi casi infatti è possibile che si verifichi un aumento di pressione dovuto al vapore con conseguente presenza di acqua rovente all'interno della pompa. L'apertura della pompa in questo momento potrebbe causare gravi lesioni personali. Per evitare lesioni personali, accertarsi che le valvole di aspirazione e di scarico siano aperte e che il prefiltro sia freddo al tatto, quindi aprirlo con la massima cautela.

⚠ IMPORTANTE — Non rigare o rovinare le superfici lucidate della guarnizione dell'asse; la guarnizione perderà la sua funzione sigillante in caso di danneggiamento delle superfici.

Tutte le parti mobili sono posizionate nella sottounità posteriore della pompa IntelliFlo®.

Attrezzatura necessaria:

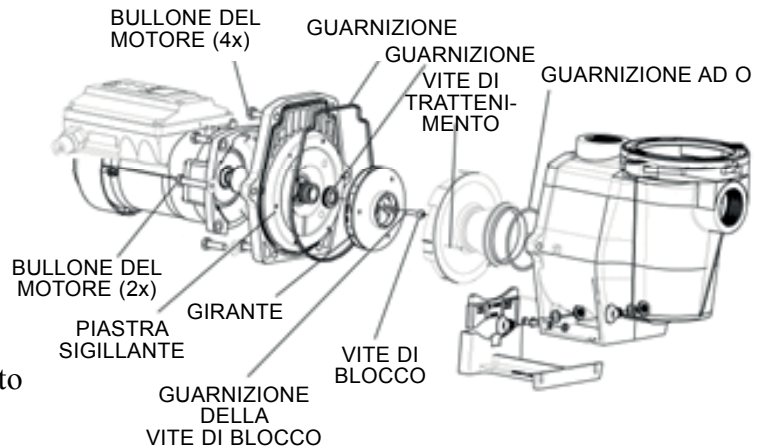
- Chiave a brugola da 3/32 di pollice.
- Chiave fissa da 1/2 pollice.
- Chiave fissa da 9/16 di pollice.
- Cacciavite a taglio.

Per rimuovere e riparare la guarnizione meccanica della pompa, utilizzare le seguenti procedure:

1. Scollegare la pompa dall'alimentazione mediante l'interruttore sul pannello principale.
2. Svuotare la pompa togliendo i tappi di scarico.
3. Rimuovere i sei bulloni che fissano il corpo principale della pompa (prefiltro/solenoide) alla sottounità posteriore.
4. Separare **DELICATAMENTE** le due metà della pompa, rimuovendo la sottounità posteriore.
5. Utilizzare una chiave a brugola da 3/32 di pollice per allentare le due viti di fissaggio sul diffusore.
6. Trattenere la girante al suo posto e rimuovere la vite di blocco della girante con un cacciavite a croce. Si tratta di una vite sinistra che si allenta girando in senso orario.
7. Utilizzare un cacciavite a taglio per trattenere l'asse del motore. L'asse del motore ha un'apertura ad un'estremità accessibile dal centro della protezione del ventilatore.

Smontaggio della pompa (continua)

8. Per svitare la girante dall'asse, ruotare la girante in senso antiorario.
9. Rimuovere l'elemento ruotante della guarnizione metallica dalla girante.
10. Rimuovere i quattro bulloni dalla piastra sigillante del motore con una chiave da 9/16 di pollice.
11. Porre la piastra sigillante rivolta verso il basso sopra una superficie piatta e far uscire con piccoli colpi l'alloggiamento della molla in carbonio.
12. Pulire la piastra sigillante, l'alloggiamento della guarnizione e l'asse del motore.



Riassemblaggio della pompa/Sostituzione della guarnizione

1. Installando una guarnizione sostitutiva per l'asse, utilizzare un sigillante al silicone prima di far pressione sulla piastra come illustrato.
2. Prima di installare l'elemento ruotante della guarnizione nella girante, accertarsi di aver pulito la girante. Utilizzare acqua e un sapone a densità leggera per lubrificare l'interno della guarnizione. Inserire la guarnizione nella girante facendo pressione con i pollici e passare un panno pulito sulle superfici di ceramica e sulle superfici in carbonio.
3. Rimontare la piastra sigillante sul motore.
4. Ungere la filettatura dell'asse del motore e avvitare la girante all'asse del motore.
5. Avvitare la vite di blocco della girante (in senso antiorario per stringerla).
6. Rimontare il diffusore sulla piastra sigillante. Accertarsi che gli spinotti di plastica e i fori delle viti di sicurezza siano allineati.
7. Ungere la guarnizione del diffusore e quella della piastra sigillante prima del riassemblaggio.
8. Ungere la filettatura dei bulloni, montare la subunità del motore al prefiltro e al corpo della pompa usando i due (2) bulloni passanti per il corretto allineamento. Non stringere i bulloni fino a quando tutti i sei (6) bulloni non sono posizionati e avvitati inizialmente con le dita.
9. Riempire la pompa con acqua.
10. Reinstallare il coperchio della pompa e la morsa di plastica.
11. Adescare la pompa.

Sostituzione della guarnizione dell'asse

La guarnizione dell'asse è composta da due elementi principali, un elemento ruotante e una guarnizione di ceramica. La pompa non richiede particolare manutenzione oltre ad una ragionevole attenzione, ma occasionalmente è possibile riscontrare il danneggiamento di una guarnizione dell'asse che deve quindi essere sostituita.

Nota: le superfici lucidate e lappate della guarnizione potrebbero danneggiarsi se non vengono maneggiate con cura.

Rimozione e installazione dell'unità

Per rimuovere l'unità IntelliFlo® e il pannello di controllo dall'unità motore:

1. Accertarsi che tutti gli interruttori manuali e automatici siano staccati prima di rimuovere l'unità.
2. Aprire la protezione del pannello di controllo.
3. Rimuovere le tre viti a croce che fissano l'unità al motore come illustrato.

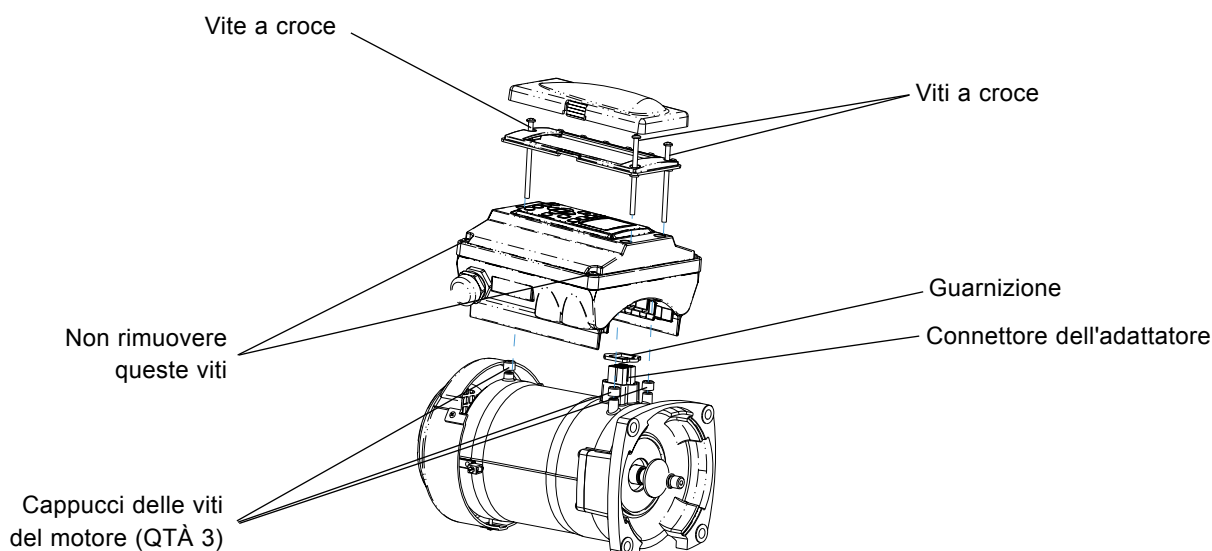
IMPORTANTE: PER EVITARE PERICOLI DI NATURA ELETTRICA, NON RIMUOVERE I QUATTRO MORSETTI A PROVA DI MANOMISSIONE DALL'UNITÀ MOTORE

4. Sollevare l'unità e rimuoverla dall'adattatore del motore sulla sommità dell'unità motore.

Nota: la guarnizione tra unità e motore impedisce all'umidità di entrare nell'unità e nel motore. Prestare la massima attenzione per evitare di rimuoverla. Sostituire la guarnizione, se danneggiata. Non riassemble senza guarnizioni o con guarnizioni danneggiate.

Per installare l'unità IntelliFlo® nell'unità motore:

1. Accertarsi che tutti gli interruttori e i commutatori siano staccati prima di installare l'unità.
2. Accertarsi che la guarnizione tra unità e motore sia correttamente posizionata. Tale guarnizione è fondamentale per impedire all'umidità di entrare nell'unità e nel motore. Sostituire la guarnizione, se danneggiata. Non riassemble senza guarnizioni o con guarnizioni danneggiate.
3. Verificare che i tre (3) cappucci arancioni delle viti del motore siano posizionati correttamente prima di posizionare l'unità sull'unità motore.
4. Allineare l'unità all'adattatore del motore e appoggiare l'unità sul motore.
5. Fissare bene l'unità con le tre viti a croce.



Tutte le parti di ricambio mostrate possono trovare sul sito:

www.pentairpooleurope.com

Sezione 5

Risoluzione dei problemi



IMPORTANTE: prima di installare il prodotto leggere con cura tutte le avvertenze riportate e le istruzioni.

Condizioni di allarme e avvisi

Gli avvisi e gli allarmi di IntelliFlo™ VS sono segnalati da LED lampeggianti nel pannello di controllo. Ad esempio, se si verifica la condizione “Temperatura Unità”, il LED lampeggerà due volte, quindi si spegnerà, quindi lampeggerà altre due volte. La sequenza sarà ripetuta fino al venire meno della condizione che l'ha generata.

- **Condizione di avviso:** Se si verifica una condizione di avviso la pompa funzionerà a velocità ridotta. Il LED verde lampeggerà in una particolare sequenza, secondo l'avviso o l'allarme che si è verificato.
- **Condizione di allarme:** Se si verifica una condizione di allarme la pompa si fermerà. Il LED rosso lampeggerà in continuazione, indicando la presenza di un allarme. I LED di allarme si spegneranno al venire meno della condizione che l'ha generata.

Sequenza LED di allarme e avvisi

Numero dei lampeggi del LED	Allarme	Descrizione	Azione
2	Avviso temperatura unità	Temperatura eccessiva nell'unità	<ol style="list-style-type: none"> 1. Accertarsi che il motore della ventola abbia adeguato flusso di ventilazione. 2. Fermare il motore e lasciarlo raffreddare. 3. Portare il motore ad una maggiore velocità per favorire il flusso d'aria di raffreddamento.
5	Allarme ignoto	Guasto ai sistemi elettronici	<ol style="list-style-type: none"> 1. Scollegare e ricollegare l'alimentazione per riavviare la pompa. 2. Sostituire l'unità.
6	Allarme temperatura unità	Temperatura eccessiva nell'unità	<ol style="list-style-type: none"> 1. Accertarsi che il motore della ventola abbia adeguato flusso di ventilazione. 2. Portare il motore ad una maggiore velocità per favorire il flusso d'aria di raffreddamento.
7	Allarme alimentazione	Tensione di alimentazione bassa	Assicurarsi che la tensione dell'alimentazione sia sufficiente.
8	Allarme eccesso di corrente	Eccesso di corrente nell'unità	<ol style="list-style-type: none"> 1. Controllare il sistema fluido/meccanico per individuare la fonte del sovraccarico. 2. Disattivare l'alimentazione del motore e controllare se il motore continua a girare. 3. Sostituire l'unità.
9	Allarme eccesso di tensione	Eccesso di tensione sul bus unità	<ol style="list-style-type: none"> 1. Cambi troppo ravvicinati di velocità possono essere causa di eccessi di tensione sul bus in corrente continua dell'unità. 2. Assicurarsi che la tensione dell'alimentazione sia corretta.

Informazioni generali per la risoluzione di problemi di IntelliFlo® VS

Utilizzare le seguenti informazioni per risolvere i problemi che potrebbero verificarsi con la pompa IntelliFlo® VS.

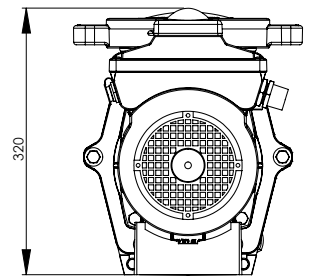
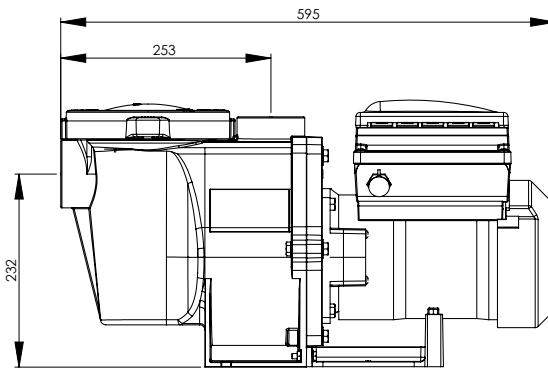
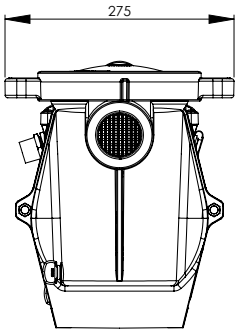
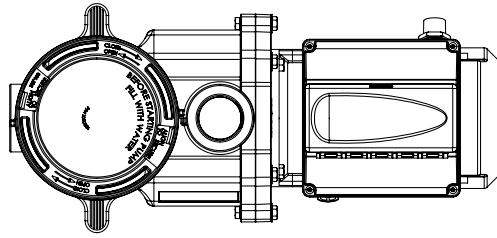
Nota: staccare la pompa dall'alimentazione di rete prima di eseguire interventi di manutenzione o riparazione.

Problema	Probabile causa	Soluzione
Guasto della pompa. Fare riferimento alla sequenza LED di allarme e avvisi.	<p>La pompa non adesca - perdita d'aria nel circuito di aspirazione.</p> <p>La pompa non adesca - acqua insufficiente.</p> <p>Prefiltro della pompa ostruito.</p> <p>Guarnizione del prefiltro difettosa.</p>	<p>Controllare tubi di aspirazione e presse delle valvole di aspirazione a saracinesca. Fissare il coperchio del prefiltro e accertarsi che il coperchio della guarnizione sia correttamente posizionato. Controllare il livello dell'acqua per verificare che lo skimmer non aspiri aria.</p> <p>Controllare che i tubi di aspirazione, pompa, prefiltro e solenoide della pompa siano pieni d'acqua.</p> <p>Pulire il prefiltro.</p> <p>Sostituire la guarnizione.</p>
Capacità e/o carico ridotto. Fare riferimento alla sequenza LED di allarme e avvisi.	<p>Bolla d'aria o perdita nei tubi di aspirazione.</p> <p>Girante ostruita.</p> <p>Prefiltro della pompa ostruito.</p>	<p>Controllare tubi di aspirazione e presse delle valvole di aspirazione a saracinesca.</p> <p>Disattivare l'alimentazione della pompa.</p> <p>Rimuovere i sei (6) bulloni che fissano il solenoide alla piastra sigillante.</p> <p>Far scorrere il motore e la piastra sigillante dal solenoide.</p> <p>Rimuovere i detriti dalla girante. Se non è possibile rimuovere i detriti, procedere come segue.</p> <ol style="list-style-type: none"> 1. Rimuovere il diffusore e la guarnizione ad O. 2. Rimuovere il bullone a vite sinistra anti-torsione e la guarnizione ad O. 3. Rimuovere, pulire e reinstallare la girante. 4. Reinstallare il bullone anti-torsione e la guarnizione ad O. <p>Reinstallare il diffusore e la guarnizione ad O.</p> <p>Reinstallare il motore e la piastra sigillante nel solenoide.</p> <p>Reinstallare i sei (6) bulloni intorno alla piastra sigillante e stringerli bene.</p> <p>Pulire la scatola di aspirazione.</p>

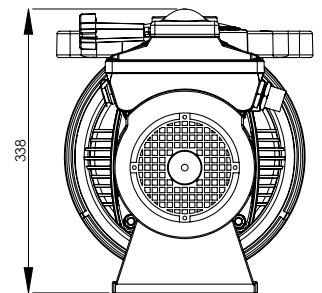
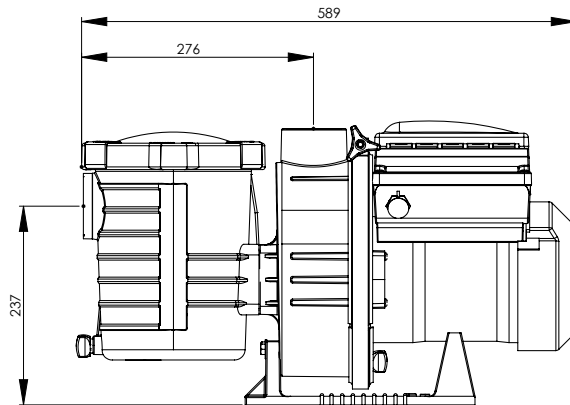
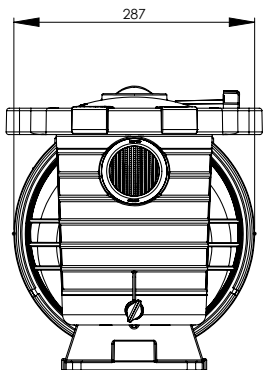
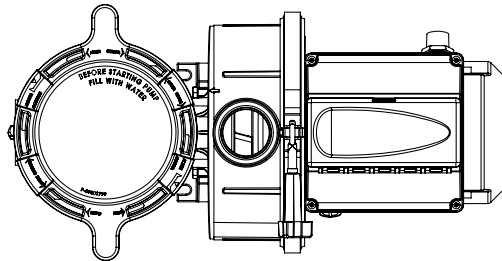
Problemi e soluzioni (continua)

Problema	Probabile causa	Soluzione
<p>L'interruttore centrale si stacca continuamente. Fare riferimento alla sequenza LED di allarme e avvisi.</p>	<p>Eccesso di corrente nel motore. Guasto GFCI.</p>	<p>L'interruttore centrale deve avere capacità sufficiente. Per l'interruttore GFCI, eseguire i test secondo le indicazioni del fornitore GFCI. Verificare che il circuito non alimenti altre luci o macchinari. Eccesso o insufficienza di tensione.</p>
<p>Problema elettrico. Fare riferimento alla sequenza LED di allarme e avvisi.</p>	<p>La pompa potrebbe essersi surriscaldata.</p>	<p>Controllare la tensione di rete; se è inferiore al 90% o superiore al 110% della tensione di esercizio chiamare un elettricista qualificato. Aumentare la ventilazione. Ridurre la temperatura nell'ambiente che ospita l'unità. Stringere le connessioni di cavi eventualmente allentate. Il protettore da sovraccarico terminale interno del motore è aperto. Il motore è surriscaldato. Spegnerne il motore. Verificare che la tensione sia corretta. Verificare il corretto funzionamento della girante e l'assenza di sfregamento.</p>
<p>Problemi e rumori meccanici.</p>	<p>Il motore della pompa è in funzione ma genera molto rumore. Cavitazione.</p>	<p>Se le tubature di aspirazione e scarico non sono fissate correttamente, l'unità della pompa sarà sottoposta a sforzo. Mai montare la pompa su di una piattaforma di legno. Fissare la pompa su di una piattaforma di cemento per ridurre al minimo il rumore. Materiali estranei (ghiaia, metallo, ecc.) nella girante della pompa. Smontare la pompa, pulire la girante seguendo le istruzioni di manutenzione della pompa per il rimontaggio. Migliorare le condizioni di aspirazione. Aumentare la dimensione dei tubi. Diminuire il numero di giunti. Aumentare la pressione di scarico.</p>

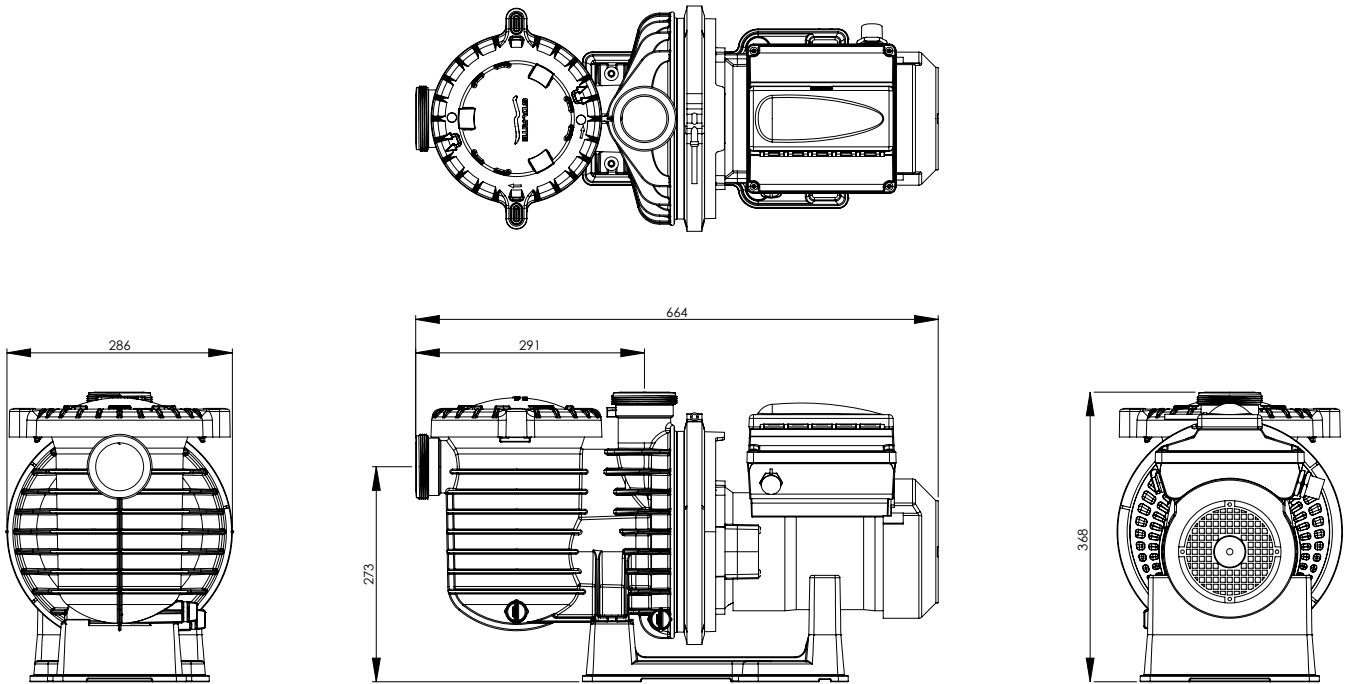
IntelliFlo® WhisperFlo® VS Pump Dimensions



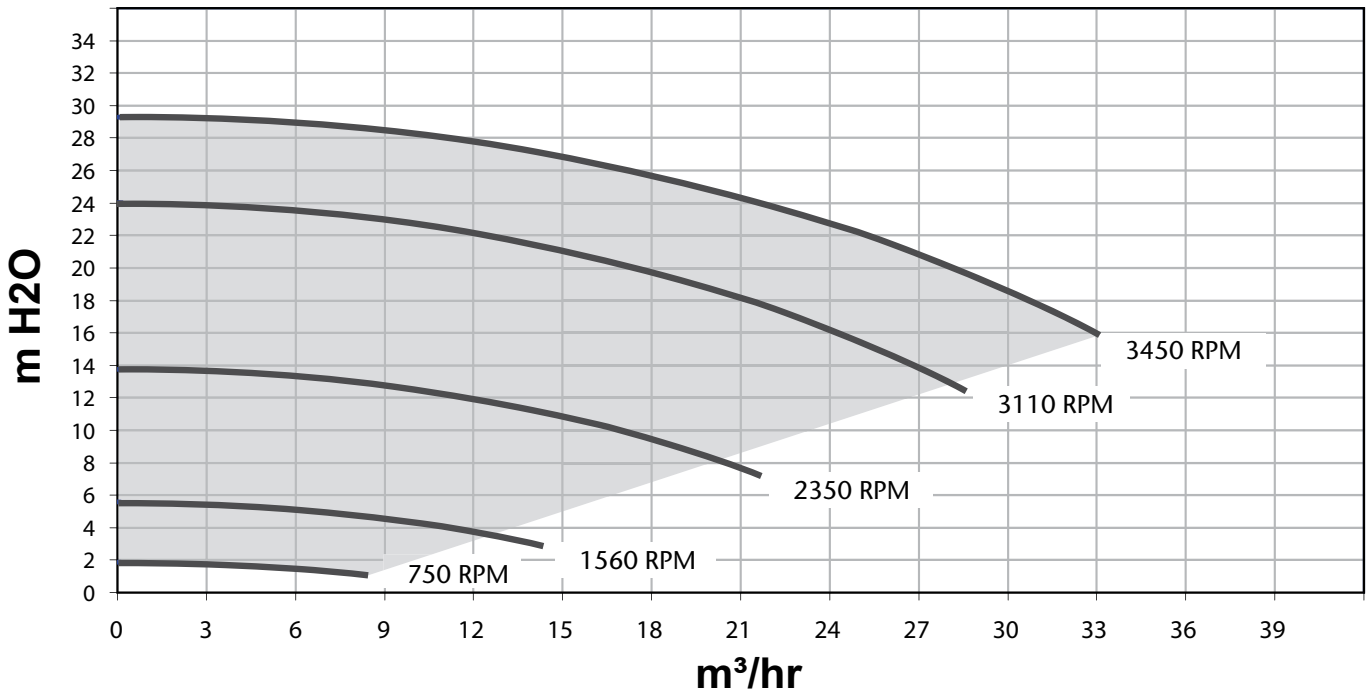
IntelliFlo® UltraFlow® VS Pump Dimensions



IntelliFlo® SW5P6R™ VS Pump Dimensions



IntelliFlo® VS Performance Curve





Pentair Water Belgium bvba
Industriepark Wolfstee, Toekomstlaan 30
B-2200 Herentals - Belgium
+32 (0) 14 25 99 11
www.pentairpooleurope.com
www.intelliflo.eu

Copyright – Limited License: except as specifically permitted herein, no portion of the content on this document may be reproduced in any form or by any mean without the prior written permission of Pentair International SRL.

Copyright – Eingeschränkte Lizenz: soweit hierin nicht ausdrücklich zugelassen, dürfen die Inhalte dieses Dokuments ohne vorausgehende schriftliche Genehmigung der Pentair International SRL weder ganz noch auszugsweise und in gleich welcher Form und mit welchen Mitteln vervielfältigt werden.

Copyright – Beperkte licentie: behalve zoals hierin specifiek toegestaan, mag geen enkel deel van de inhoud van dit document op om het even welke manier of hoe dan ook gereproduceerd worden zonder de voorafgaande schriftelijke toestemming van Pentair International SRL.

Copyright – Licence limitée: sauf expressément autorisé ci-après, aucune partie du contenu de ce document ne peut être reproduite sous toute forme ou par tout moyen sans la permission écrite préalable de Pentair International SRL.

Copyright – Licencia limitada: salvo en lo expresamente permitido en el presente documento, se prohíbe la reproducción total o parcial del mismo por cualquier medio sin la previa autorización por escrito de Pentair International SRL.

Copyright – Licenza limitata: se non indicato specificatamente di seguito, nessuna porzione del contenuto di questo documento può essere riprodotta in qualsiasi forma o con qualsiasi mezzo senza preventiva autorizzazione scritta di Pentair International SRL.



357219