

ELECRO

ENGINEERING

ELECRO Nano

Splasher Pool Heater 3-kW



Features

- Fully equipped
- Easy installation
- Plug & Play
- Robust, durable construction
- Analogue control with 1°C Differential
- Ultra-reliable flow switch allows safe operation with 1,000 ltr/h
- Incoloy 825 Heating Element
- 316 stainless steel flow tube
- May be floor or vertically wall mounted
- Safety thermal cut-out (manual reset)
- 2 years conditional warranty

Construction

The Elecro Nano Splasher pool heater is manufactured from top quality components and materials at the Elecro works in Hertfordshire, England.

Construction consists of a flow tube which is fitted with Inlet and Outlet mouldings manufactured from specially formulated polymer alloy material. The outlet moulding accommodates a reversible flow switch with a gold tipped reed, and Titanium fulcrum pin. The heater is supported on two feet, this permits either vertical wall or floor mounting. The heater control components are positioned on the top face of the casing. Screw fit adapters are supplied to allow connection to standard above ground pool flexible pipe work. The water inlet and outlet fittings can facilitate connection to either metric or imperial standard pipe.

The inlet moulding has been designed to ensure full immersion of the elements, greatly reducing the risks of air locking.



Vertical Mount



Operation

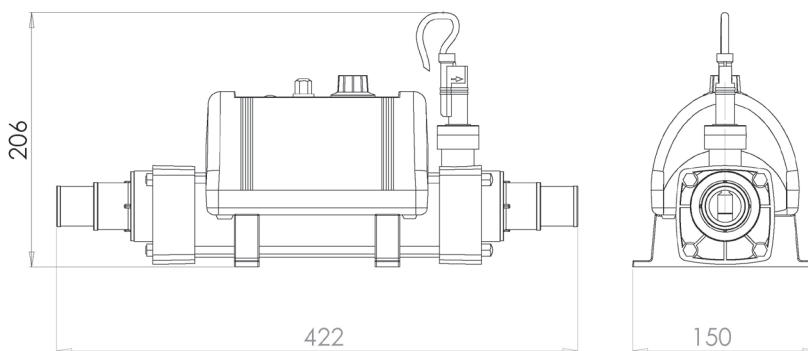
The desired pool temperature can be easily set on the Electro Nano heater using the panel-mounted thermostat dial. Safety and equipment protection is provided by the highly reliable flow switch. Over-temperature protection is provided by the thermal cut out (manual reset).

Specification & Models

Power supply:	230V single phase
Flow requirements:	Minimum flow = 1m ³ /h Maximum flow = 17m ³ /h
Heating Element:	Incoloy 825
Flow tube:	BS 316 Stainless Steel
Control thermostat:	0 > 40°C (1°C differential)
Safety Thermal Cut Out:	55 °C (manual reset)
Flow switch:	Gold tipped reed switch with titanium fulcrum pin
Wiring:	High temperature, silicone sheathed, multi-strand copper conductors
Seals:	Special formula high temperature polymer
Water connections:	1½" BSP female thread supplied with 1½" or 1¼" hose tails for flexible pipe.
Working pressure:	4 bar maximum
Mounting:	Floor or vertical wall mounting
Standards compliance:	European Electromagnetic Compatibility directive 89/336/EEC and 93/068/EEC
Harmonised Standards:	EN 55014 – EN55104, EN 5501, EN 5502, CEI 801-4, CEI 801-2, CEI 801-3 The European Low Voltage Directive 72/23/EEC The Harmonised Standard EN 60335-2-35

230V 1 Phase Power Output	Load	Product Code	Power Cord
3-kW	13-Amp	N-AGP-EUR	EURO Lead
3-kW	13-Amp	N-AGP-UK	UK Lead

Dimensions



www.elecro.co.uk

ELECR O
ENGINEERING

11 Gunnels Wood Park
Stevenage
Hertfordshire
SG1 2BH
United Kingdom
t: +44 (0) 1438 749 474
f: +44 (0) 1438 361 329
e: info@elecro.co.uk