

# Certikin

## VISION

### SAND FILTER

#### FEATURES

- Full 10 year tank warranty
- 10" lid and lock ring assembly
- Patented clear top mount valve ring - allows users to view filter in action whilst the pump is running
- Hydraulically designed lateral arrangement
- Dual water and media dump port arrangement
- Imperial and metric quick connect unions
- Supplied complete with 6-way multiport valve, air relief and pressure gauge



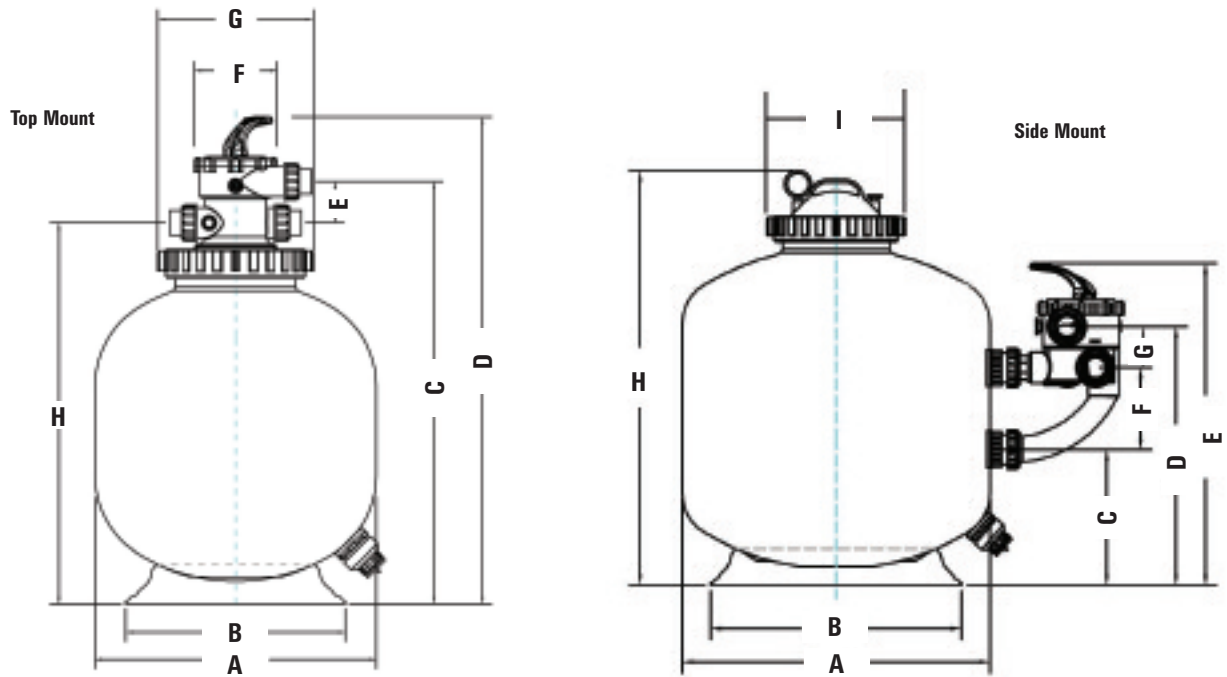
Clear valve mounting ring



*The Certikin Vision range of domestic bobbin wound filters embody the latest in fibreglass winding technology. Providing a strong and durable tank with an impressive 10 year warranty.*

*The awesome 10" diameter lid on both the top and side mount models makes servicing and maintenance quicker and easier, and a hydraulically balanced lateral system ensures optimum flow characteristics during filtration and backwashing.*

## SPECIFICATIONS



Model	A	B	C	D	E	F	G	H	I
FVS20	520	445	282	539	683	203	54	899	343
FVS24	622	484	317	574	717	203	54	957	343
FVS30	772	620	337	642	799	203	102	1030	343
FVS36	923	620	387	693	850	203	102	1156	343
FVS20T	510	484	839	982	91	182	343	748	-
FVS24T	620	484	930	1073	91	182	343	839	-
FVS30T	720	620	941	1083	91	182	343	850	-

Model	Size	Filter Area m <sup>2</sup>	Flow Rate m <sup>3</sup> /hr	Sand Kg	Pipe Connections	Working BAR Pressure
FVS20	20" / 500mm	0.20	10	90	1.5" / 50mm	2.5
FVS24	24" / 600mm	0.28	14	140	1.5" / 50mm	2.5
FVS30	30" / 750mm	0.44	21	210	2" / 63mm	2.5
FVS36	36" / 900mm	0.64	31	360	2" / 63mm	2.5
FVS20T	20" / 500mm	0.20	9	90	1.5" / 50mm	2.5
FVS24T	24" / 600mm	0.28	14	160	1.5" / 50mm	2.5
FVS30T	28" / 700mm	0.38	19	200	1.5" / 50mm	2.5

If you should require further technical information please do not hesitate to contact us.



# Certikin



This literature is only intended as a guide. The Company reserves the right to change the specification without notice.